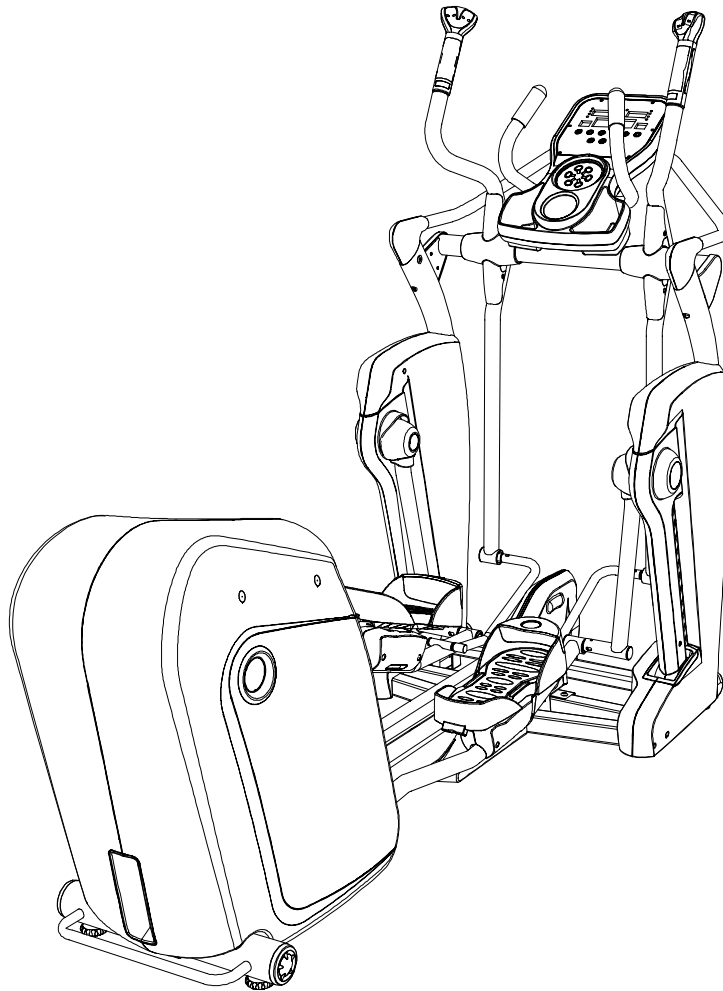


SMOOTH AGILE TRAINER



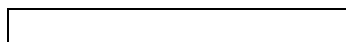
USER WEIGHT LIMITATION: **350lbs**

MAXIMALES BENUTZERGEWICHT: **160 KG**

UK: TOLL FREE CUSTOMER SERVICE NUMBER: 0800-097 2100

DE: SERVICENUMBER: +49 (911) 810 59 24

SERIAL NUMBER (found on frame) – SERIENNUMMER (auf Rahmen)



INHALTSVERZEICHNIS – TABLE OF CONTENTS

- English P. 03
- Deutsch P. 51

PRECAUTIONS

WARNING: To reduce the risk of burns, fire, electric shock, or injury to persons, read the following important precautions and information before operating the Elliptical Trainer. It is the responsibility of the owner to ensure that all users of this Elliptical Trainer are adequately informed of all warnings and precautions.

- Use the Elliptical Trainer only as described in this manual.
- Place on a level surface, with enough space behind it. Do not place the Elliptical Trainer on any surface that blocks air openings. To protect the floor or carpet from damage, place a mat under the Elliptical Trainer.
- When choosing a location for the Elliptical Trainer make sure that the location and position permit access to a plug.
- Keep the Elliptical Trainer indoors, away from moisture and dust. Do not put the Elliptical Trainer in a garage or covered patio, or near water.
- Do not operate the Elliptical Trainer where aerosol products are used or where oxygen is being administered.
- Keep children under the age of 12 and pets away from the Elliptical Trainer at all times.
- The Elliptical Trainer should not be used by persons weighing more than **350 lbs (160 kg)**
- Never allow more than one person on the Elliptical Trainer at a time. Wear appropriate exercise clothing when using the Elliptical Trainer. Do not wear loose clothing that could become caught in the Elliptical Trainer. Athletic support clothes are recommended for both men and women. Always wear athletic shoes. Never use the Elliptical Trainer with bare feet, wearing only stockings, or in sandals.
- When connecting the power cord, plug the power cord into a grounded circuit. No other appliance should be on the same circuit.
- Always examine your Elliptical Trainer before using to ensure all parts are in working order.
- Never insert any object or body parts into any opening.
- Follow the safety information in regards to plugging in your Elliptical Trainer.
- Keep the power cord away from moving handle bars and do not run the power cord underneath your Elliptical Trainer. Do not operate the Elliptical Trainer with a damaged or frayed power cord.
- Always unplug the Elliptical Trainer before cleaning and/or servicing. Service to your Elliptical Trainer should only be performed by an authorized service representative, unless authorized and/or instructed by the manufacturer. Failure to follow these instructions will void the Elliptical Trainer warranty.

POWER REQUIREMENTS

IMPROPER CONNECTION OF THE EQUIPMENT GROUNDING CONNECTOR CAN RESULT IN A RISK OF AN ELECTRIC SHOCK. CHECK WITH A QUALIFIED ELECTRICIAN OR SERVICE MAN IF YOU ARE IN DOUBT AS TO WHETHER THE PRODUCT IS PROPERLY GROUNDING. DO NOT MODIFY THE PLUG PROVIDED WITH THE PRODUCT, IF IT WILL NOT FIT THE OUTLET; HAVE A PROPER OUTLET INSTALLED BY A QUALIFIED ELECTRICIAN.

This Elliptical Trainer can be seriously damaged by sudden voltage changes in your home's electrical power. Voltage spikes, surges and noise interference can result from weather conditions or from other appliances being turned on or off. To reduce the possibility of Elliptical Trainer damage, always use a surge protector (not included) with your Elliptical Trainer. Surge protectors can be purchased at most hardware stores.

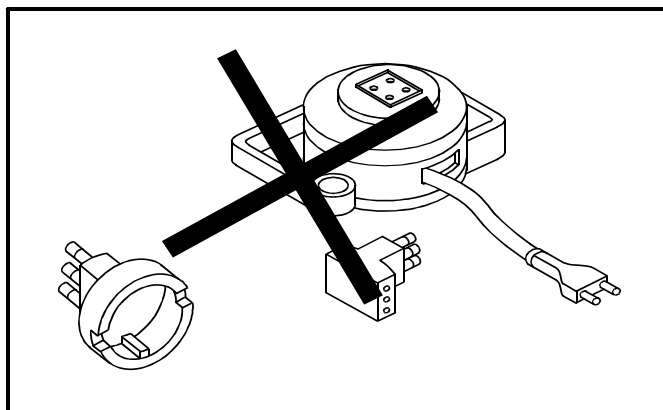
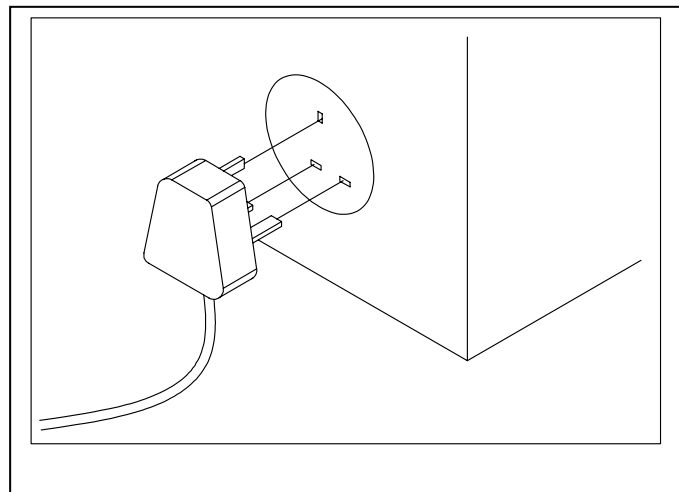
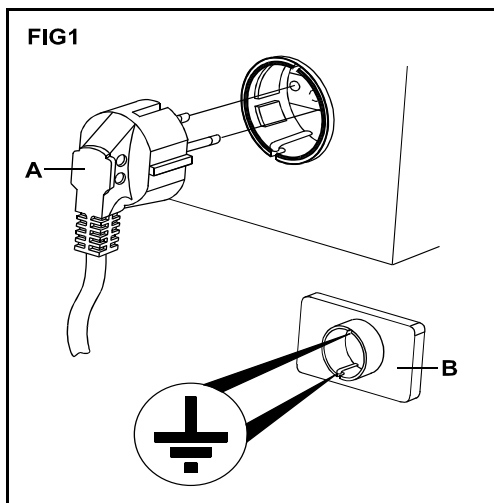
This Elliptical Trainer is provided with two different grounding plugs for Central Europe and United Kingdom. Please choose the right one and plug in your Elliptical Trainer.

Please make sure that your local voltage is appropriate for the power requirements of this Elliptical Trainer before you plug it in. This product is for use with a voltage of $230V \pm 5\%$.

Do not use a voltage transformer with this product.

Do not use an extension cord with this product when you are not sure if the product is still properly grounded.

The following pictures show the two delivered plugs:



PREASSEMBLY

Open the boxes:

You are now ready to open the boxes of your new equipment. Make sure to inventory all of the parts that are included in the boxes. Check the Parts List for a full count of the number of parts included for this product to be assembled properly. If you are missing any parts or have any assembly questions call your local dealer or contact us directly at 0800-0972100

Gather your tools:

Before starting the assembly of your unit, make sure that you have gathered all the necessary tools you may require to assemble the unit properly. Having all of the necessary equipment at hand will save time and make the assembly quick and hassle-free.

Clear your work area:

Make sure that you have cleared away a large enough space to properly assemble the unit. Make sure the space is free from anything that may cause injury during assembly. After the unit is fully assembled, make sure there is a comfortable amount of free area around the unit for unobstructed operation.

Invite a friend:

Some of the assembly steps may require heavy lifting. It is recommended that you obtain the assistance of another person when assembling this product.

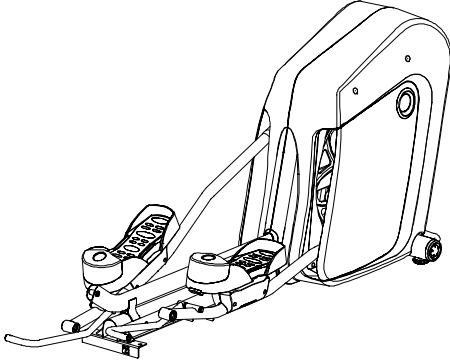
User Weight Limitation:

Please note that there is a weight limitation for this product. **If you weigh more than 350lbs (160kg) it is not recommended that you use this product. Serious injury may occur if the user's weight exceeds the limit shown here.** This product is not intended to support users whose weight exceeds this limit.

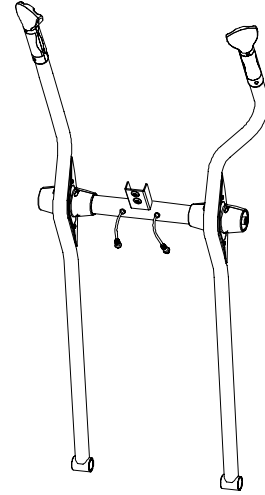
SUPPLIED COMPONENTS

This list identifies the major components you will use to assemble this product.

BOX - A



Main Frame Assembly



Handlebar Assembly

BOX - B



Fixed Handlebar



Base Frame



Undercarriage Cover

[719 / 720]



Console Support
Tube



Upright-Left

[110]



Upright-Right

[111]

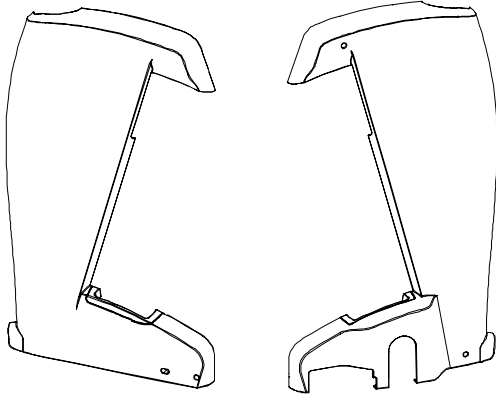


Pivot Arm Cover

SUPPLIED COMPONENTS

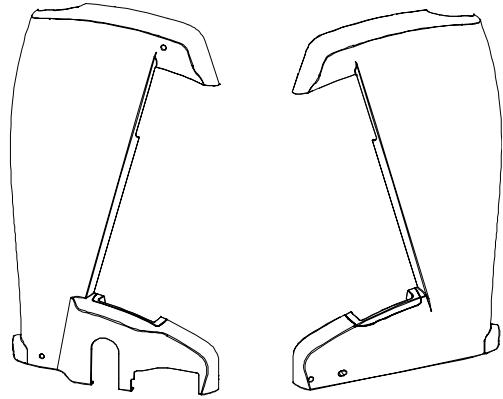
This list identifies the major components you will use to assemble this product.

BOX - C



Front Side Panel LL - LR

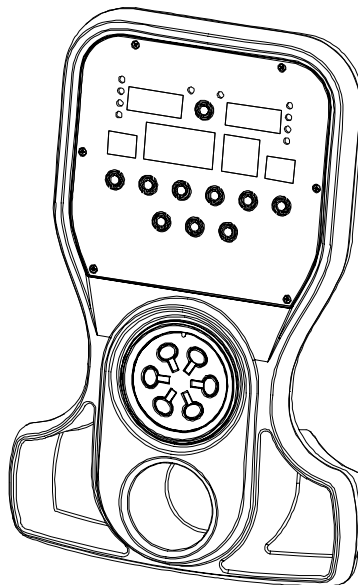
[709 / 710]



Front Side Panel RL - RR

[712 / 711]

BOX - D







Computer

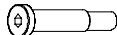








SUPPLIED HARDWARE


This list identifies the hardware you will use to assemble the product. To help distinguish between the various types of screws and bolts, use the scale below to measure them and compare them to the sizes listed.

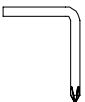


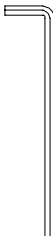
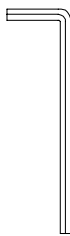

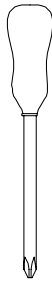
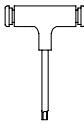



BOX - E

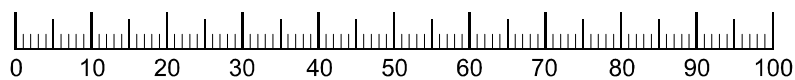
-  **701 Upright Side Cover-Left**
-  **702 Upright Side Cover-Right**
-  **703 Console Back Cover**
-  **326 Taper Fixing Insert 4PCS**

-  **717 Pivot Cap 2PCS**
-  **718 Pivot Side Cap 2PCS**
-  **721 Pedal Arm Front Pivot 4PCS**

- 501  **12 x 62 - M10 x 20mm Bolt** 2PCS
- 502  **20 x 78 - M14 x 35mm Bolt** 2PCS
- 503  **M5 x 8mm Screw** 2PCS
- 504  **M8 x 20mm Allen Head Bolt** 4PCS
- 505  **M8 x 40mm Allen Head Bolt** 2PCS
- 506  **M8 x 65mm Allen Head Bolt** 2PCS
- 507  **M10 x 20mm Allen Head Bolt** 4PCS
- 508  **M10 x 62mm Allen Head Bolt** 1PCS
- 509  **M6 x 40mm Screw** 2PCS

- 510  **12 x 20 x 2 Spring Washer** 2PCS
- 511  **M10 Nylon Nut** 1PCS
- 512  **4 x 12mm Screw** 10PCS
- 513  **4 x 19mm Screw** 6PCS
- 514  **12 x 18 x 24.5mm Sleeve** 2PCS
- 515  **12 x 22 x 2 Washer** 2PCS
- 516  **M5 x 6mm Bolt** 2PCS
- 517  **M8 Nylon Nut** 4PCS
- 518  **8x20x1 .5mm Cup Washer** 4PCS
- 519  **M8x105x20 mm Carriage Bolts** 4PCS

- | | | | | | | | | |
|---|---|---|---|---|---|---|---|---|
| A Screwdriver-L (1 piece) | B 2.5mm Allen key (1 piece) | C 5mm Allen key (1 piece) | D 6mm Allen key (1 piece) | E 8mm Allen key (1 piece) | F Wrench (1 piece) | G Slotted Screwdriver (1 piece) | H 5mm Allen Wrench (1 piece) | I Water Bottle (1 piece) |
|  |  |  |  |  |  |  |  |  |
| J Power Cord (1 piece) | | K Chest Belt (1 piece) | | | | | | |
|  | |  | | | | | | |



MILLIMETERS

COMPLETE PARTS LIST

| Item No. | Description | Qty. | Part No. |
|------------|---|------|-----------|
| 100 | | | |
| 101 | Fixed Handlebar | 1 | AGILE-101 |
| 102 | Crossbar | 1 | AGILE-102 |
| 103 | Console Support Tube | 1 | AGILE-103 |
| 104 | Base Frame | 1 | AGILE-104 |
| 105 | Main Frame | 1 | AGILE-105 |
| 106 | Pedal Arm-Left | 1 | AGILE-106 |
| 107 | Pedal Arm-Right | 1 | AGILE-107 |
| 108 | Action Handlebar - Left | 1 | AGILE-108 |
| 109 | Action Handlebar - Right | 1 | AGILE-109 |
| 110 | Upright-Left | 1 | AGILE-110 |
| 111 | Upright-Right | 1 | AGILE-111 |
| 112 | Moving Linkage-Left | 1 | AGILE-112 |
| 113 | Moving Linkage-Right | 1 | AGILE-113 |
| 114 | Incline Frame | 1 | AGILE-114 |
| 115 | Incline Transmission Tube-Front | 1 | AGILE-115 |
| 116 | Incline Transmission Tube-Back | 1 | AGILE-116 |
| 117 | Clamp Bracket | 2 | AGILE-117 |
| 118 | Flywheel | 1 | AGILE-118 |
| 119 | Tension Wheel Bracket | 1 | AGILE-119 |
| 120 | Pedal Swing Arm | 2 | AGILE-120 |
| 121 | Hold Base-Front | 1 | AGILE-121 |
| 122 | Hold Base-Back | 1 | AGILE-122 |
| 200 | | | |
| 201 | Bearing 6004 | 4 | AGILE-201 |
| 202 | Bearing 6005 | 2 | AGILE-202 |
| 203 | Bearing 6300 | 6 | AGILE-203 |
| 204 | Bearing 6804 | 4 | AGILE-204 |
| 205 | Bearing 2203 | 2 | AGILE-205 |
| 206 | Bearing 6205 | 4 | AGILE-206 |
| 207 | Bearing 608zz | 8 | AGILE-207 |
| 208 | Action Handlebar Shaft Bushing 2"x38-20 | 2 | AGILE-208 |
| 209 | Action Handlebar Shaft Bushing 2"x38-9 | 2 | AGILE-209 |
| 210 | Elector-magnetic System | 1 | AGILE-210 |
| 211 | Oil-Impregnated Bearing | 2 | AGILE-211 |
| 212 | Clamp Bushing- Top | 2 | AGILE-212 |
| 213 | Clamp Bushing- Bottom | 2 | AGILE-213 |

COMPLETE PARTS LIST

| Item No. | Description | Qty. | Part No. |
|------------|---------------------------------|------|-----------|
| 214 | Belt | 1 | AGILE-214 |
| 215 | Aluminum Disk | 1 | AGILE-215 |
| 216 | Crank | 1 | AGILE-216 |
| 217 | Crank 25x186.7 | 1 | AGILE-217 |
| 218 | Crank Disk Axle | 1 | AGILE-218 |
| 219 | Wheel | 2 | AGILE-219 |
| 220 | Pedal Buffer Set | 2 | AGILE-220 |
| 221 | Level Adjuster | 2 | AGILE-221 |
| 222 | Crank Disk | 1 | AGILE-222 |
| 224 | Action Handlebar End Cap | 2 | AGILE-224 |
| 225 | Hand Pulse Sensor Cover | 2 | AGILE-225 |
| 226 | Oval Tube Cap | 2 | AGILE-226 |
| 227 | Hand Pulse Sensor Back Cover | 2 | AGILE-227 |
| 228 | Fixed Handlebar Foam Grip | 2 | AGILE-228 |
| 229 | Electro-magnetic System Bracket | 1 | AGILE-229 |
| 230 | Flywheel Axle Fixing Plate | 1 | AGILE-230 |
| 231 | Speed Sensor Base | 1 | AGILE-231 |
| 232 | Pedal Support Base | 2 | AGILE-232 |
| 233 | Pedal Fixing Base | 2 | AGILE-233 |
| 234 | Crank Disk Oval Cap | 1 | AGILE-234 |
| 235 | Switch Fascia | 1 | AGILE-235 |
| 238 | Bearing 2201 | 2 | AGILE-238 |
| 239 | 5/16" Cable Tie | 1 | AGILE-239 |
| 240 | 1/8" Cable Tie | 1 | AGILE-240 |
| 241 | 3/8" Cable Tie | 4 | AGILE-241 |
| 242 | Wheel Bushing | 4 | AGILE-242 |
| 243 | Bearing 6000 | 3 | AGILE-243 |
| 244 | Self-adhesive Wire Clip | 1 | AGILE-244 |
| 249 | 3/16" Cable Tie | 1 | AGILE-249 |
| 250 | 1/4" Cable Tie | 9 | AGILE-250 |
| 251 | Hand Grip Gasket | 2 | AGILE-251 |
| 252 | Bearing Support Tube | 1 | AGILE-252 |
| 253 | Rear Shroud Holder | 1 | AGILE-253 |
| 300 | | | |
| 302 | Rear Shroud-Left | 1 | AGILE-302 |
| 303 | Rear Shroud-Right | 1 | AGILE-303 |
| 304 | Rear Side Panel-Left | 1 | AGILE-304 |
| 305 | Rear Side Panel-Right | 1 | AGILE-305 |

COMPLETE PARTS LIST

| Item No. | Description | Qty. | Part No. |
|----------|----------------------------------|------|-----------|
| 306 | Switch Plate | 1 | AGILE-306 |
| 307 | Pedal | 2 | AGILE-307 |
| 308 | Toe Cap | 2 | AGILE-308 |
| 309 | Pedal Soft Cushion | 2 | AGILE-309 |
| 310 | Pedal Bushing Cover-Left | 2 | AGILE-310 |
| 311 | Pedal Bushing Cover-Right | 2 | AGILE-311 |
| 312 | Console Housing - Upper | 1 | AGILE-312 |
| 313 | Console Housing – Bottom | 1 | AGILE-313 |
| 314 | Console Plastic Cover | 1 | AGILE-314 |
| 315 | Rubber Strip-4 | 4 | AGILE-315 |
| 316 | Rubber Strip-3 | 4 | AGILE-316 |
| 317 | Rubber Strip-2 | 4 | AGILE-317 |
| 318 | Rear Shroud Plug-1 | 2 | AGILE-318 |
| 319 | Rear Shroud Plug-2 | 2 | AGILE-319 |
| 320 | Rubber Strip-1 | 4 | AGILE-320 |
| 321 | Cable Plug | 2 | AGILE-321 |
| 322 | Incline Transmission Tube Holder | 1 | AGILE-322 |
| 323 | Moving Linkage Bushing | 4 | AGILE-323 |
| 324 | Control Board Cover | 1 | AGILE-324 |
| 325 | Pedal Swing Arm Cap | 2 | AGILE-325 |
| 326 | Taper Fixing Insert | 35 | AGILE-326 |
| 327 | Support Lump | 1 | AGILE-327 |
| 328 | Oblong Cushion | 2 | AGILE-328 |
| 329 | Circular Cushion | 2 | AGILE-329 |
| 330 | Rubber Cushion – Front | 2 | AGILE-330 |
| 331 | Rubber Cushion – Rear | 2 | AGILE-331 |
| 332 | Fixing Insert | 22 | AGILE-332 |
| 333 | Fixing Insert-Metal Inside | 7 | AGILE-333 |
| 336 | Action Handlebar Front Cover | 4 | AGILE-336 |
| 337 | Action Handlebar Cover | 2 | AGILE-337 |
| 338 | Elbow-Left | 2 | AGILE-338 |
| 339 | Elbow-Right | 2 | AGILE-339 |
| 340 | Button | 1 | AGILE-340 |
| 341 | Taper Fixing Insert-Metal Inside | 3 | AGILE-341 |

COMPLETE PARTS LIST

| Item No. | Description | Qty. | Part No. |
|------------|--------------------------------|------|-----------|
| 400 | | | |
| 402 | 25 x 10 x 55 - M10 x 15mm Bolt | 2 | AGILE-402 |
| 403 | M5 x 8mm Allen Head Bolt | 7 | AGILE-403 |
| 404 | M6 x 12mm Allen Head Bolt | 11 | AGILE-404 |
| 405 | M8 x 15mm Allen Head Bolt | 23 | AGILE-405 |
| 406 | M8 x 25mm Allen Head Bolt | 2 | AGILE-406 |
| 407 | M10 x 20mm Allen Head Cap Bolt | 4 | AGILE-407 |
| 408 | M10 x 40mm Allen Head Bolt | 1 | AGILE-408 |
| 409 | M4 X 40mm Allen Head Cap Bolt | 1 | AGILE-409 |
| 410 | M8 x 50mm Allen Head Cap Bolt | 2 | AGILE-410 |
| 411 | M10 x 40mm Allen Head Cap Bolt | 2 | AGILE-411 |
| 412 | M12 x 70mm Allen Head Cap Bolt | 2 | AGILE-412 |
| 414 | M8 x 20mm Bolt | 6 | AGILE-414 |
| 415 | M3 x 8mm Screw | 2 | AGILE-415 |
| 416 | M8 x 65mm Allen Head Cap Bolt | 2 | AGILE-416 |
| 417 | M6 x 12mm Allen Head Cap Bolt | 2 | AGILE-417 |
| 418 | M8 x 16mm Allen Head Cap Bolt | 4 | AGILE-418 |
| 419 | M8 x 90mm Allen Head Bolt | 4 | AGILE-419 |
| 421 | M8 Nylon Nut | 8 | AGILE-421 |
| 422 | M10 Nylon Nut | 3 | AGILE-422 |
| 423 | M14 Nylon Nut | 3 | AGILE-423 |
| 424 | M8 Blind Nut | 2 | AGILE-424 |
| 425 | M6 x 15mm Screw | 2 | AGILE-425 |
| 426 | 3/4" x 16 Nut | 2 | AGILE-426 |
| 427 | Flywheel Axle | 1 | AGILE-427 |
| 428 | 10 x 36mm Shaft | 2 | AGILE-428 |
| 429 | 12 x 210 - M14 x 70mm Shaft | 1 | AGILE-429 |
| 430 | Bushing 12 x 60 | 4 | AGILE-430 |
| 431 | M4 x 15mm Screw | 2 | AGILE-431 |
| 432 | 4 x 12mm Round Head Screw | 8 | AGILE-432 |
| 433 | Action Handlebar Shaft | 1 | AGILE-433 |

COMPLETE PARTS LIST

| Item No. | Description | Qty. | Part No. |
|------------|------------------------------|------|-----------|
| 435 | Crank Axle Bushing | 2 | AGILE-435 |
| 436 | M10 C Clip | 6 | AGILE-436 |
| 437 | M12 C Clip | 2 | AGILE-437 |
| 438 | M42 C Clip | 2 | AGILE-438 |
| 439 | 10 x 18 x T1.0 Fiber Washer | 2 | AGILE-439 |
| 440 | 15 x 8 x T2.0 Spring Washer | 11 | AGILE-440 |
| 441 | 10 x 16 x T2.0 Spring Washer | 7 | AGILE-441 |
| 442 | 20 x 6 x T2.0 Washer | 3 | AGILE-442 |
| 443 | 32 x 6 x T2.0 Washer | 1 | AGILE-443 |
| 444 | 35 x 14 x T2.0 Washer | 2 | AGILE-444 |
| 445 | 10 x 18 x T5.1 Washer | 4 | AGILE-445 |
| 446 | M3 x 16mm Screw | 2 | AGILE-446 |
| 447 | M3 x 10mm Screw | 18 | AGILE-447 |
| 448 | 4 x 12mm Screw | 39 | AGILE-448 |
| 449 | M2 x 6mm Screw | 8 | AGILE-449 |
| 450 | 4 x 12mm Coarse Thread Screw | 23 | AGILE-450 |
| 451 | M32 C Clip | 2 | AGILE-451 |
| 452 | M4 x 45mm Screw | 2 | AGILE-452 |
| 453 | M4 x 8mm Screw | 4 | AGILE-453 |
| 454 | 7 x 12 - M5 x 5mm Pin Nut | 4 | AGILE-454 |
| 456 | 10 x 23 x T2.0 Washer | 4 | AGILE-456 |
| 457 | 6 x 10 x 1 Spring Washer | 2 | AGILE-457 |
| 458 | 28.6 x 35.5 Bushing | 2 | AGILE-458 |
| 459 | 12 x 20 x 0.5 Washer | 2 | AGILE-459 |
| 460 | 12 x 20 x 2 PU Washer | 2 | AGILE-460 |
| 461 | 4 x 12mm Self Tapping Screw | 6 | AGILE-461 |
| 462 | M8 x 16mm Bolt | 8 | AGILE-462 |
| 463 | 4 x 12mm Screw-cone point | 4 | AGILE-463 |
| 464 | 4 x 30mm Screw | 2 | AGILE-464 |
| 465 | M4 Nut | 2 | AGILE-465 |
| 500 | | | |
| 501 | 12 x 62 - M10 x 20mm Bolt | 2 | AGILE-501 |
| 502 | 20 x 78 - M14 x 35mm Bolt | 2 | AGILE-502 |
| 503 | M5 x 8mm Screw | 2 | AGILE-503 |
| 504 | M8 x 20mm Allen Head Bolt | 4 | AGILE-504 |
| 505 | M8 x 40mm Allen Head Bolt | 2 | AGILE-505 |
| 506 | M8 x 65mm Allen Head Bolt | 2 | AGILE-506 |
| 507 | M10 x 20mm Allen Head Bolt | 4 | AGILE-507 |
| 508 | M10 x 62mm Allen Head Bolt | 1 | AGILE-508 |
| 509 | M6 x 40mm Screw | 2 | AGILE-509 |

COMPLETE PARTS LIST

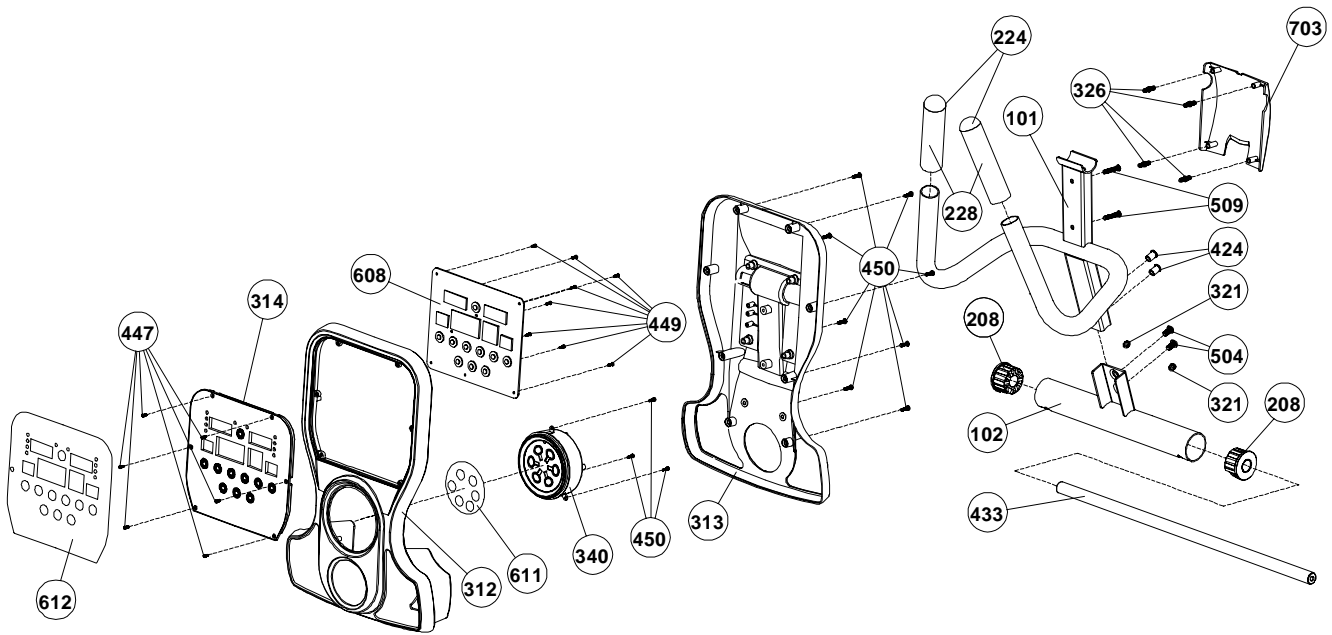
| Item No. | Description | Qty. | Part No. |
|------------|------------------------------------|------|-----------|
| 510 | 12 x 20 x 2 Spring Washer | 2 | AGILE-510 |
| 511 | M10 Nylon Nut | 1 | AGILE-511 |
| 512 | 4 x 12mm Screw | 10 | AGILE-512 |
| 513 | 4 x 19mm Screw | 6 | AGILE-513 |
| 514 | 12 x 18 x 24.5mm Sleeve | 2 | AGILE-514 |
| 515 | 12 x 22 x 2 Washer | 2 | AGILE-515 |
| 516 | M5 x 6mm Bolt | 2 | AGILE-516 |
| 517 | M8 Nylon Nut | 4 | AGILE-517 |
| 518 | 8 x 20 x 1.5mm Cup Washer | 4 | AGILE-518 |
| 519 | M8 x 105 x 20mm Carriage Bolt | 4 | AGILE-519 |
| 600 | | | |
| 601 | Speed Sensor | 1 | AGILE-601 |
| 602 | Magnetic Sensor | 1 | AGILE-602 |
| 603 | Power Switch | 1 | AGILE-603 |
| 604 | Power Breaker | 1 | AGILE-604 |
| 605 | Power Insert Set | 1 | AGILE-605 |
| 606 | Receiver | 1 | AGILE-606 |
| 607 | Transformer | 1 | AGILE-607 |
| 608 | Computer PC Board | 1 | AGILE-608 |
| 609 | Elevation Motor | 1 | AGILE-609 |
| 610 | Control Board | 1 | AGILE-610 |
| 611 | Button Sticker | 1 | AGILE-611 |
| 612 | Overlay | 1 | AGILE-612 |
| 613 | Elector-magnetic Wire | 1 | AGILE-613 |
| 614 | Power Connect Wire | 3 | AGILE-614 |
| 615 | 8Pin Power Wire-Top 200mm | 1 | AGILE-615 |
| 616 | 8Pin Power Wire-Upper 1000mm | 1 | AGILE-616 |
| 617 | 8Pin Power Wire-Middle 900mm | 1 | AGILE-617 |
| 618 | 8Pin Power Wire-Lower 800mm | 1 | AGILE-618 |
| 619 | 8Pin Power Wire-Bottom 2700mm | 1 | AGILE-619 |
| 620 | 3C Power Wire 1000mm | 1 | AGILE-620 |
| 621 | Hand Pulse Sensor Wire-Top 350mm | 2 | AGILE-621 |
| 622 | Hand Pulse Sensor Wire-Upper 620mm | 2 | AGILE-622 |
| 623 | Hand Pulse Sensor Wire-Lower 650mm | 2 | AGILE-623 |
| 624 | Receiver Wire 350mm | 1 | AGILE-624 |
| 626 | Control Board Connect Wire 250mm | 1 | AGILE-626 |

COMPLETE PARTS LIST

| Item No. | Description | Qty. | Part No. |
|------------|-----------------------------|------|-----------|
| 700 | | | |
| 701 | Upright Side Cover-Left | 1 | AGILE-701 |
| 702 | Upright Side Cover-Right | 1 | AGILE-702 |
| 703 | Console Back Cover | 1 | AGILE-703 |
| 704 | Pivot Arm Cover-LL | 1 | AGILE-704 |
| 705 | Pivot Arm Cover-LR | 1 | AGILE-705 |
| 706 | Pivot Arm Cover-RR | 1 | AGILE-706 |
| 707 | Pivot Arm Cover-RL | 1 | AGILE-707 |
| 708 | Pivot Arm Insert | 2 | AGILE-708 |
| 709 | Front Side Panel-LL | 1 | AGILE-709 |
| 710 | Front Side Panel-LR | 1 | AGILE-710 |
| 711 | Front Side Panel-RR | 1 | AGILE-711 |
| 712 | Front Side Panel-RL | 1 | AGILE-712 |
| 713 | Front Side Frame-LL | 1 | AGILE-713 |
| 714 | Front Side Frame-LR | 1 | AGILE-714 |
| 715 | Front Side Frame-RR | 1 | AGILE-715 |
| 716 | Front Side Frame-RL | 1 | AGILE-716 |
| 717 | Pivot Cap | 2 | AGILE-717 |
| 718 | Pivot Side Cap | 2 | AGILE-718 |
| 719 | Undercarriage Cover-Left | 1 | AGILE-719 |
| 720 | Undercarriage Cover-Right | 1 | AGILE-720 |
| 721 | Pedal Arm Front Pivot Cover | 4 | AGILE-721 |
| | | | |
| A | Screwdriver-L | 1 | AGILE-A |
| B | 2.5mm Allen Key | 1 | AGILE-B |
| C | 5mm Allen Key | 1 | AGILE-C |
| D | 6mm Allen Key | 1 | AGILE-D |
| E | 8mm Allen Key | 1 | AGILE-E |
| F | 14 x 17 Wrench | 1 | AGILE-F |
| G | Slotted Screwdriver | 1 | AGILE-G |
| H | 5mm Allen Wrench | 1 | AGILE-H |
| I | Water Bottle | 1 | AGILE-I |
| J | Power Cord | 1 | AGILE-J |
| K | Chest Belt | 1 | AGILE-K |

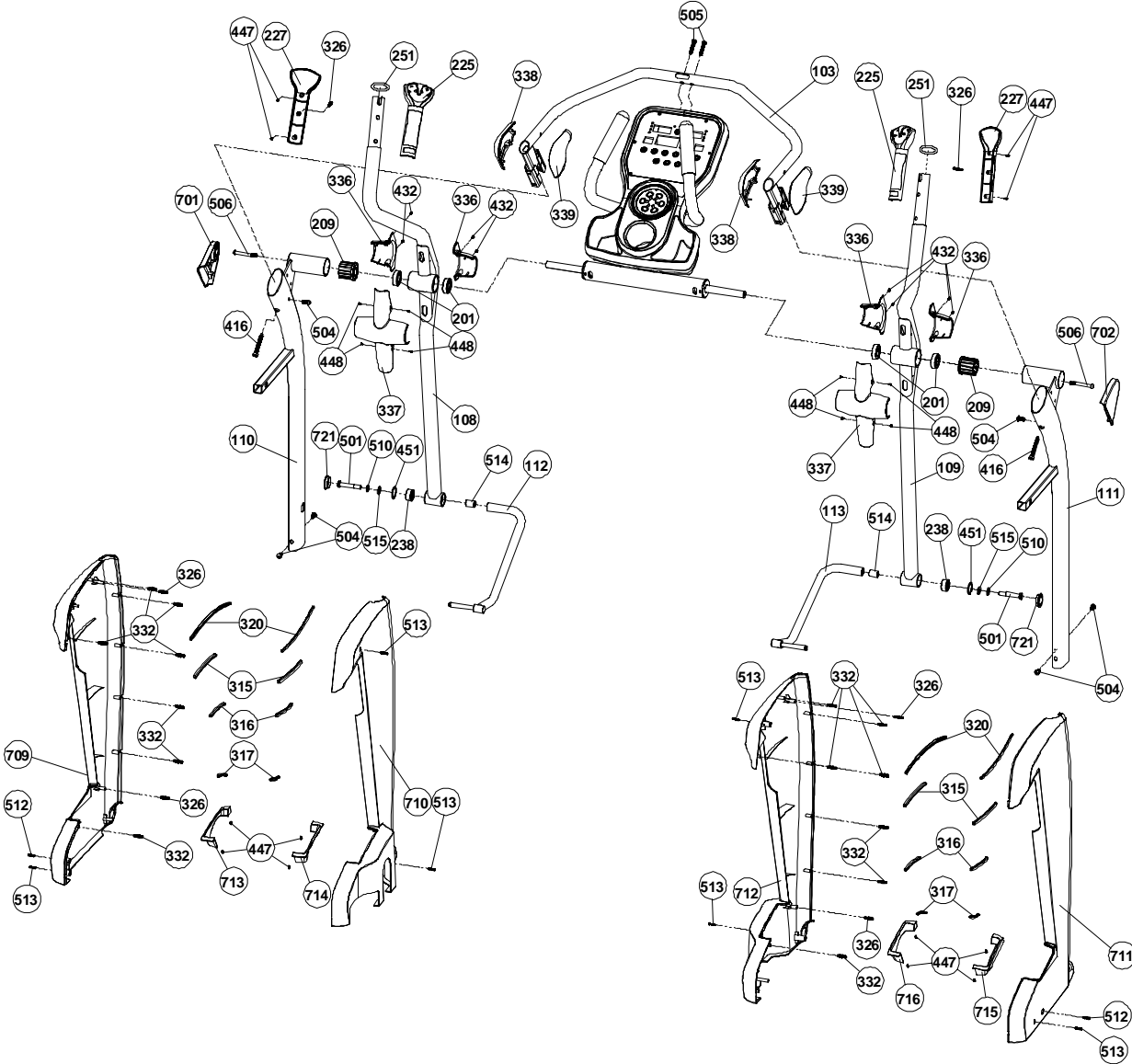
PARTS DIAGRAM

MOST OF THE PARTS SHOWN HERE HAVE BEEN PRE-ASSEMBLED.



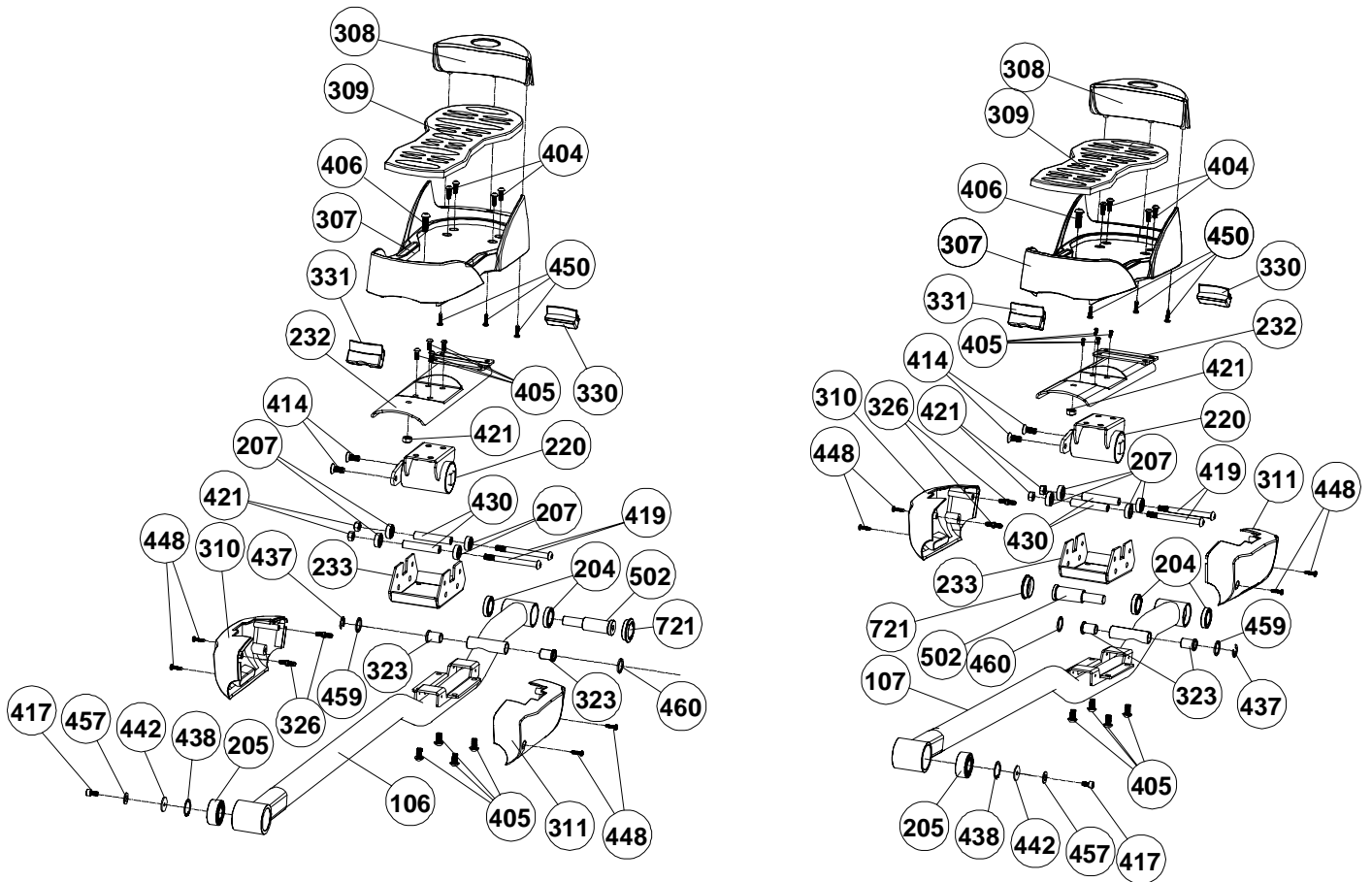
PARTS DIAGRAM

MOST OF THE PARTS SHOWN HERE HAVE BEEN PRE-ASSEMBLED.



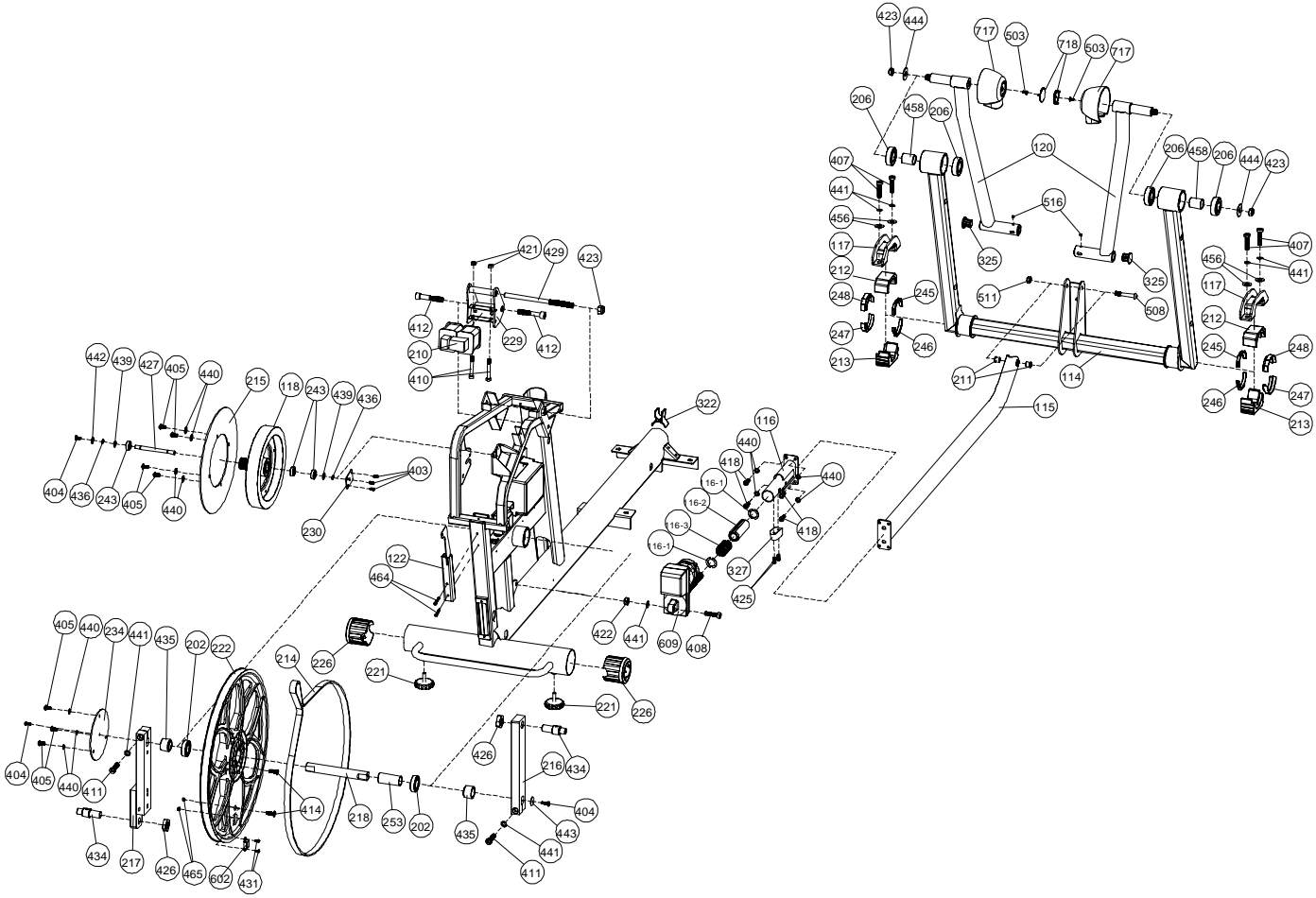
PARTS DIAGRAM

MOST OF THE PARTS SHOWN HERE HAVE BEEN PRE-ASSEMBLED.



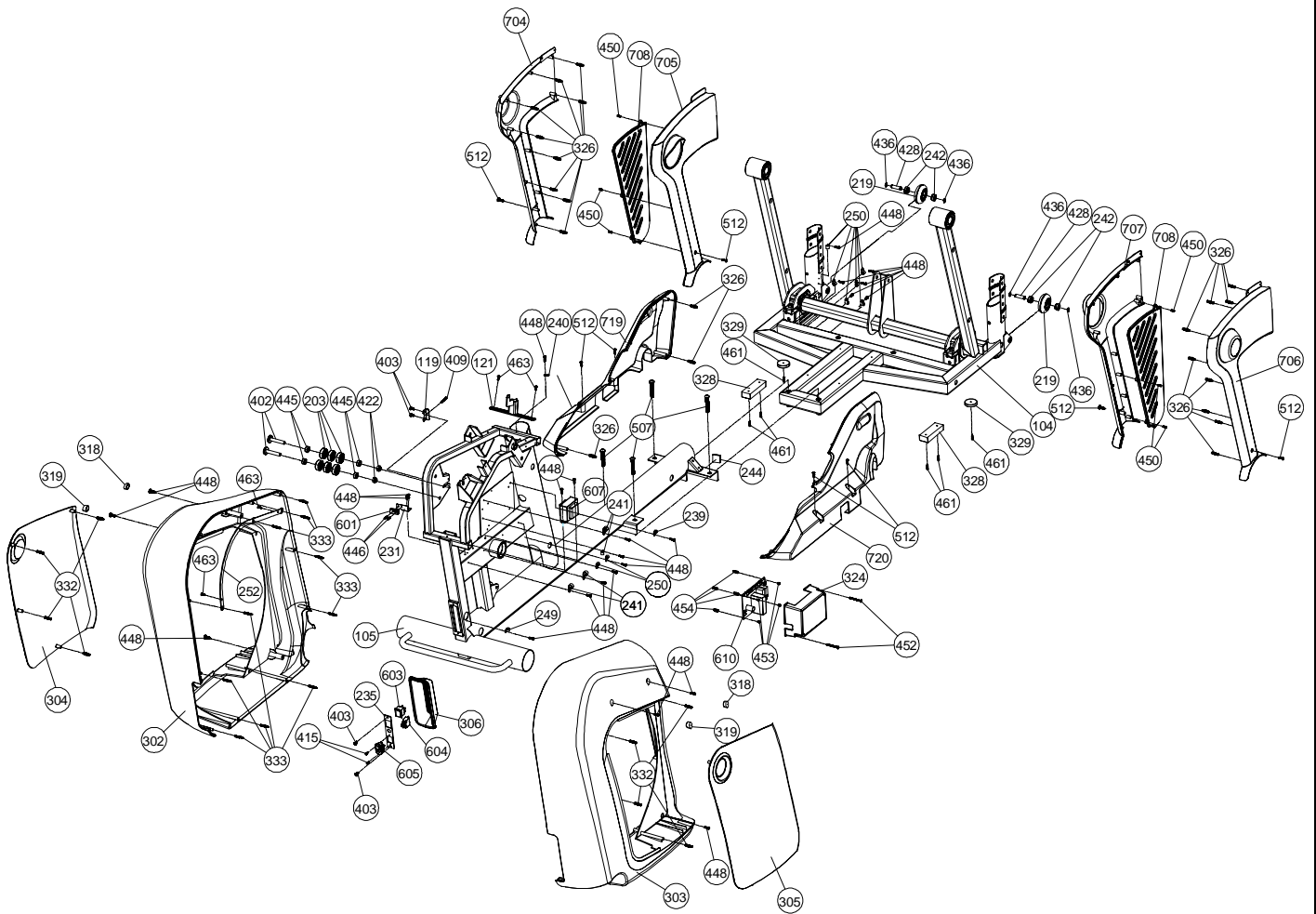
PARTS DIAGRAM

MOST OF THE PARTS SHOWN HERE HAVE BEEN PRE-ASSEMBLED.



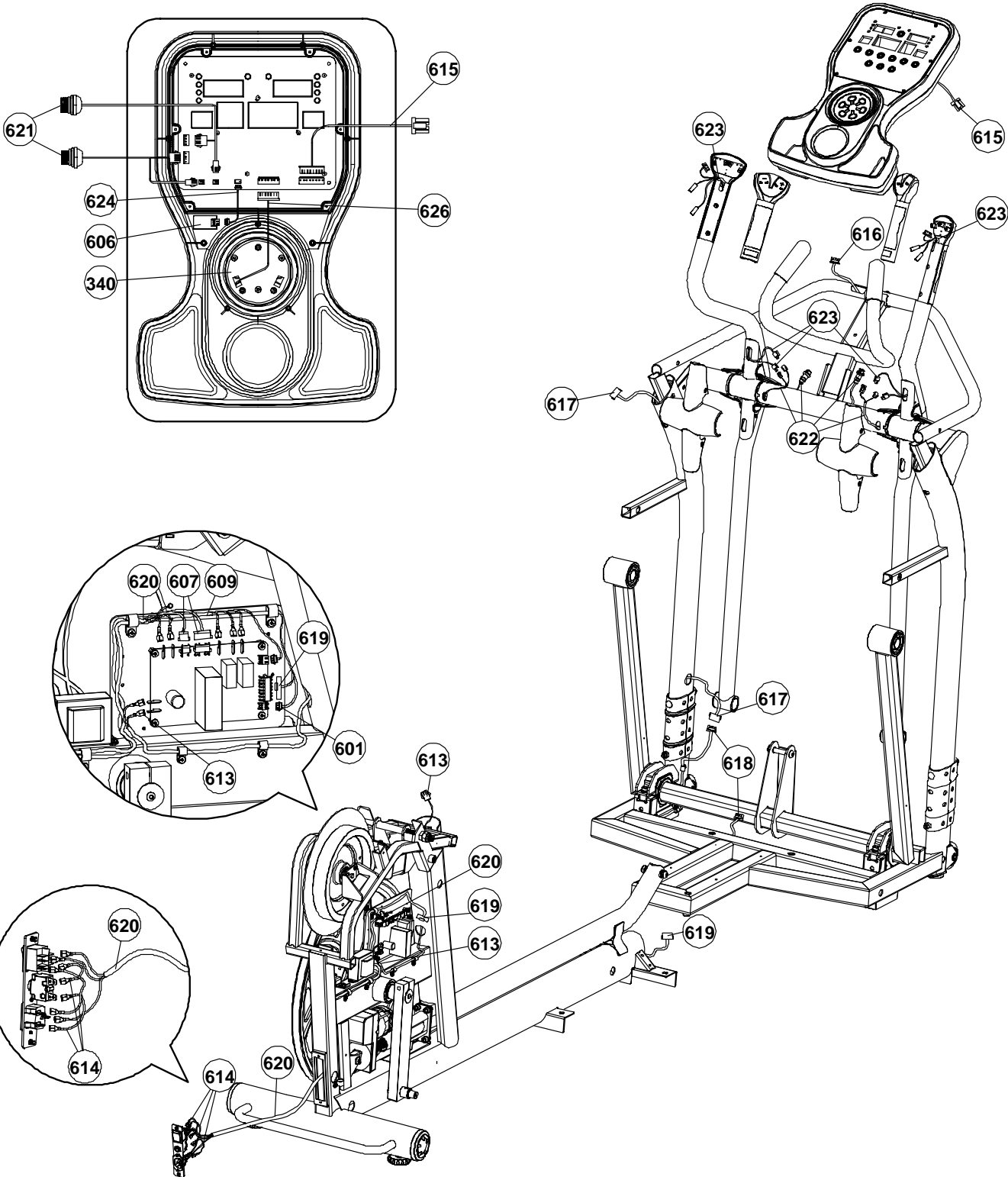
PARTS DIAGRAM

MOST OF THE PARTS SHOWN HERE HAVE BEEN PRE-ASSEMBLED.



PARTS DIAGRAM

MOST OF THE PARTS SHOWN HERE HAVE BEEN PRE-ASSEMBLED.



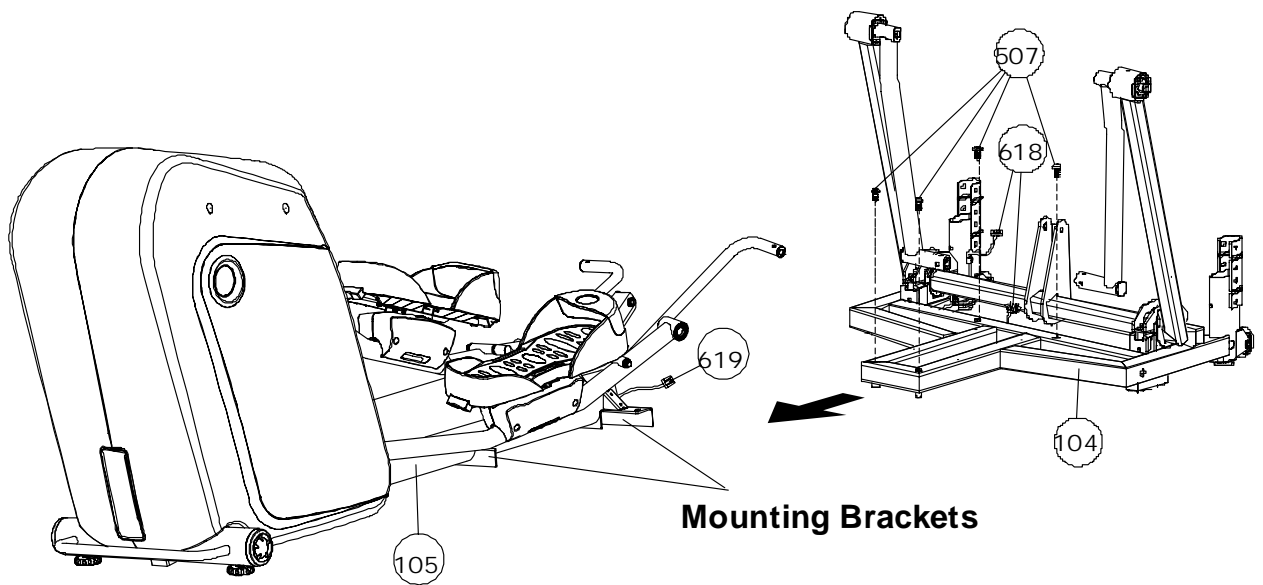
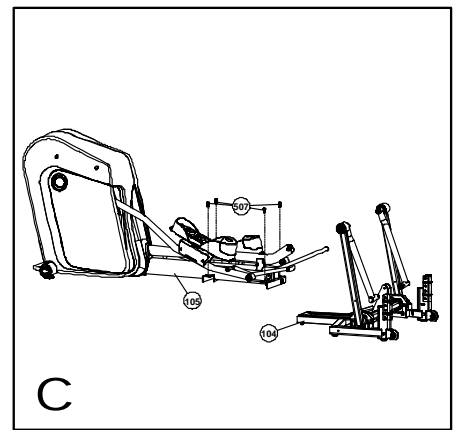
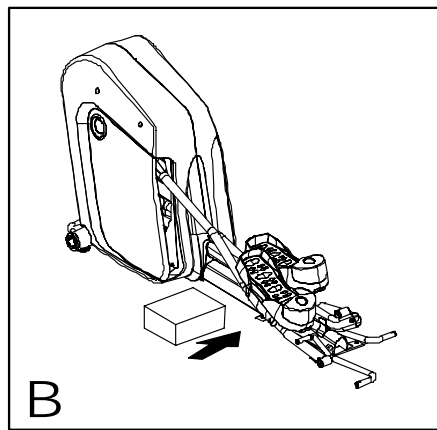
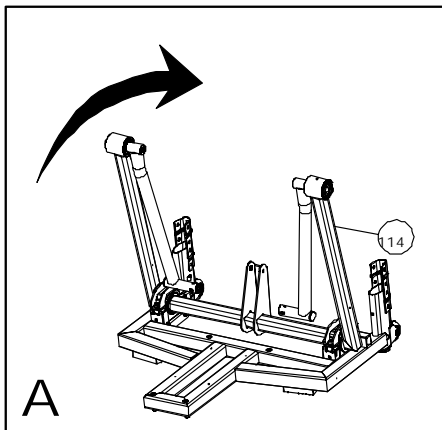
ASSEMBLY

STEP 1: Connect the Main Frame to Base Frame

- (A) Rotate Incline Frame (114) up to vertical position.
- (B) Place cardboard block under Main Frame tube to provide clearance to position Base Frame (104) for assembly.
- (C) Position Base Frame (104) under mounting bracket of the Main Frame (105) and align the 4 hole bolt pattern.
- (D) Remove cardboard block and lower Main Frame (105) onto Base Frame (104). Mounting Brackets should seat fully onto Base Frame (104). Secure using four M10 x 20mm Allen Head Bolts (507).

507

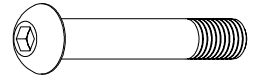
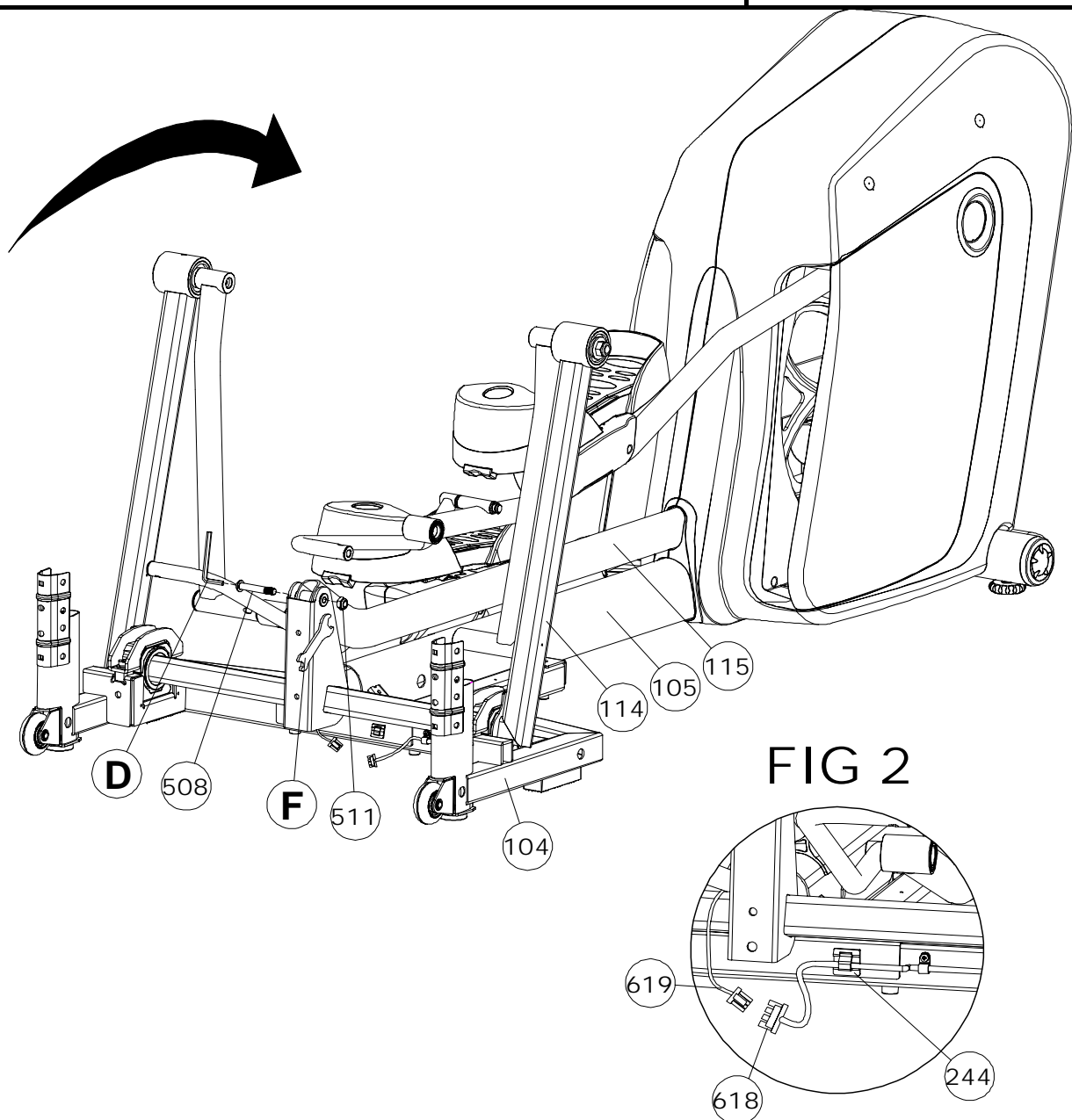
X4



Mounting Brackets

ASSEMBLY**STEP 2: Connect the Incline Transmission Tube**

- (A) Remove the Incline Transmission Tube Holder (322), and discard.
- (B) Rotate the Incline Frame (114) to align the bolt holes with the mating bolt holes in the Incline Transmission Tube-Front (115).
- (C) Assemble the Incline Transmission Tube-Front (115) to the Base Frame (104) with M10 x 62mm Allen Head Bolt (508) and M10 Nylon Nut (511) by 6mm Allen Key (D) and Wrench (F).
- (D) Connect the 8Pin Power Wire-Lower (618) to the 8Pin Power Wire -Bottom (619) , and fixed the wire into the Self-adhesive Wire Clip (244).

508 X1**511 X1****FIG 2**

ASSEMBLY

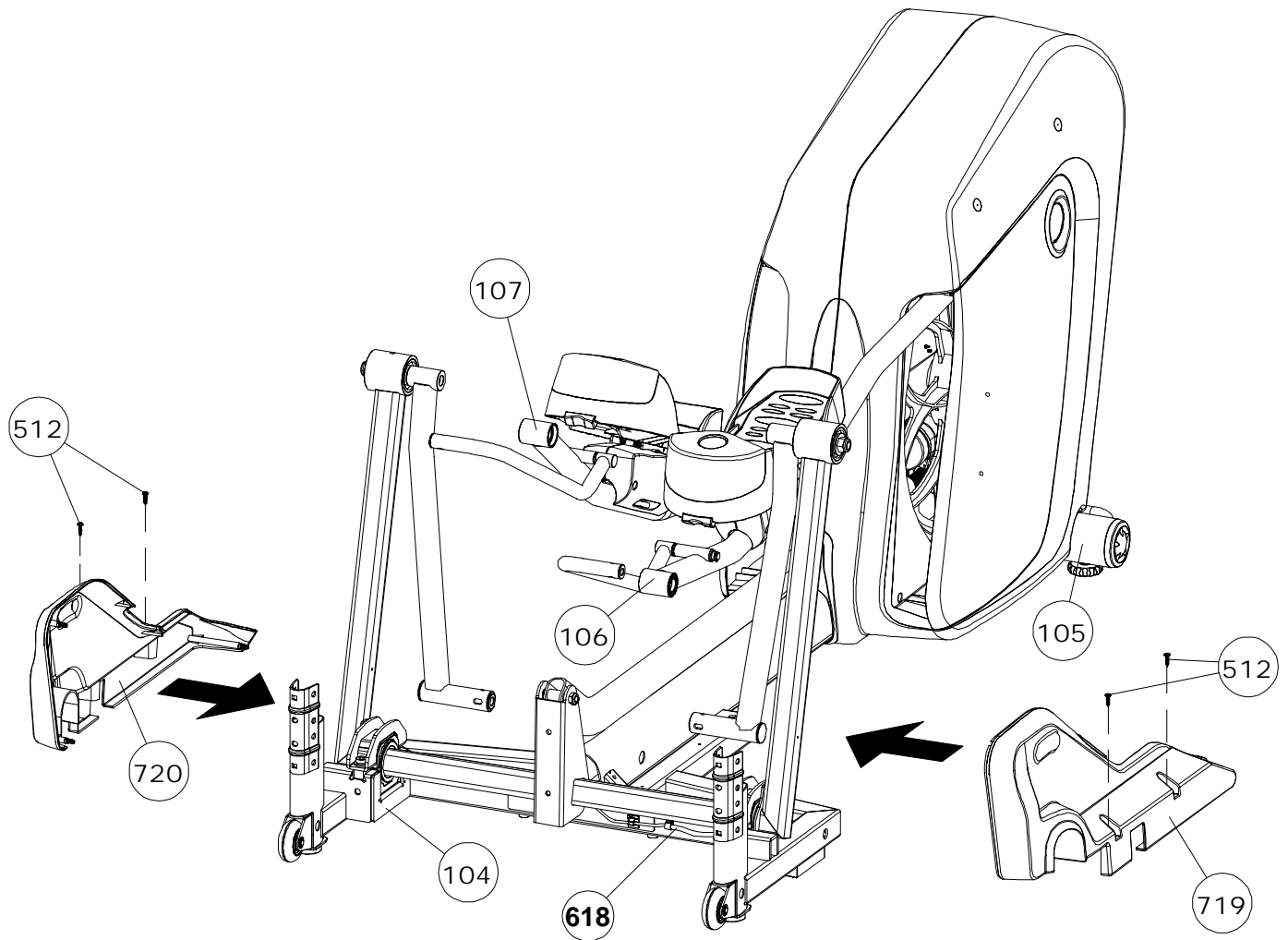
STEP 3: Assemble the Undercarriage Covers

NOTE : THE UNDERCARRIAGE COVER-LEFT(719) FITS OVER THE 8PIN POWER WIRE-LOWER (618). BE CAREFUL NOT TO DISCONNECT THE WIRE WHEN ASSEMBLING THE UNDERCARRIAGE COVER -LEFT (719).

512 X4 

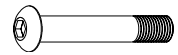
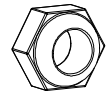
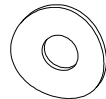
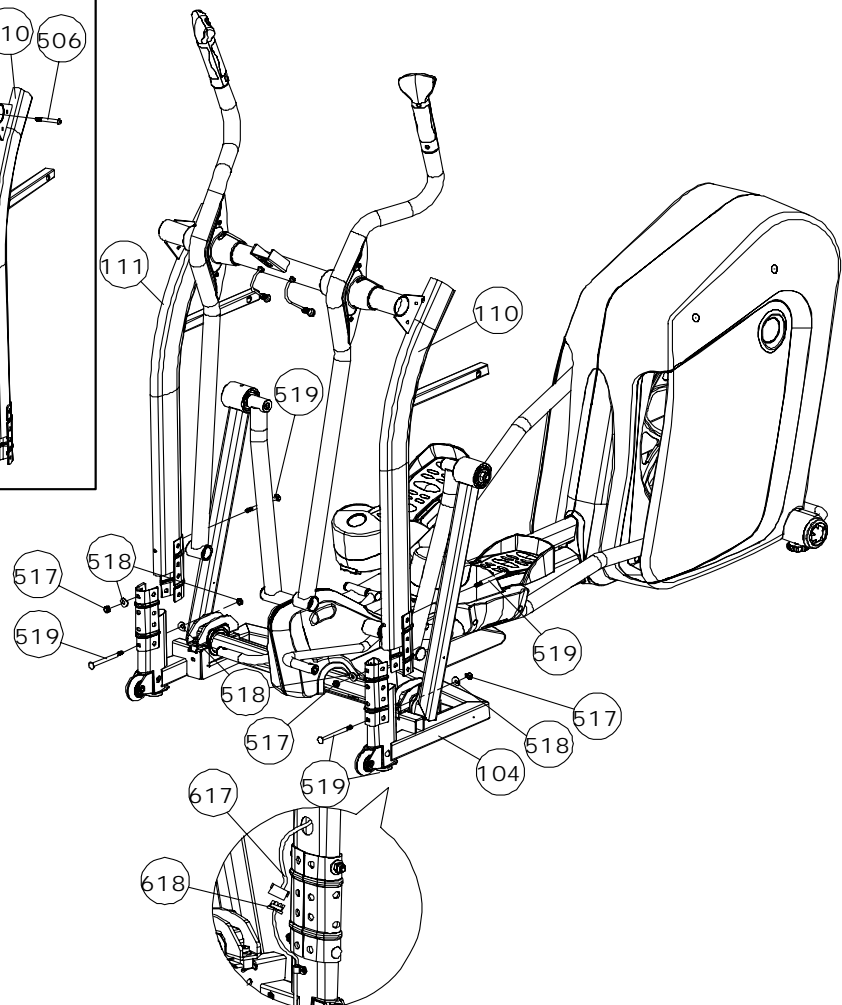
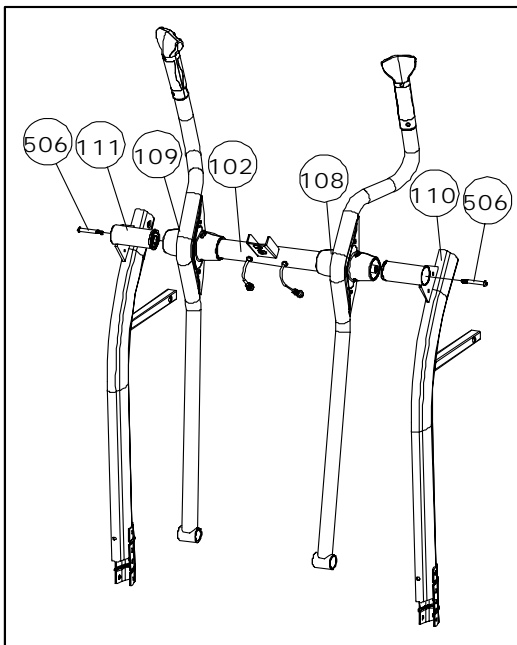
(A) Lift the Pedal Arm and assemble the Undercarriage Cover-Left (719) to the Base Frame (104), and secure using four 4 x 12 Screws (512).

(B) Repeat the above procedure to assemble the right side.



ASSEMBLY**STEP 4: Assemble the Upright**

- (A) Assemble the Upright-Left (110) and Upright-Right (111) to the Handlebar assembly and secure using two M8 x 56mm Allen Head Bolts (506). **Do not completely tighten M8 x 56mm Allen Head Bolts until step C.**
- (B) Place the Upright Assembly to the Base Frame (104) and secure with four M8 x 105 x 20mm Carriage Bolts (519), four M8 x 20 x 1.5mm Cup Washers (518) and N8 Nylon Nuts (517).
- (C) Tighten M8 x 56mm Allen Head Bolt (506)
- (D) Connect the 8Pin Power Wire-Lower (618) to the 8Pin Power Wire-Middle (617).

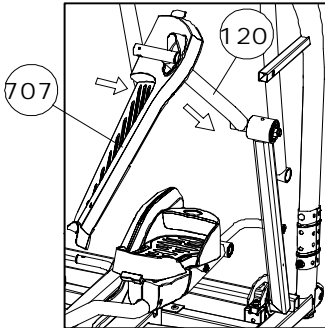
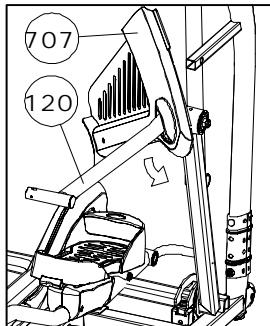
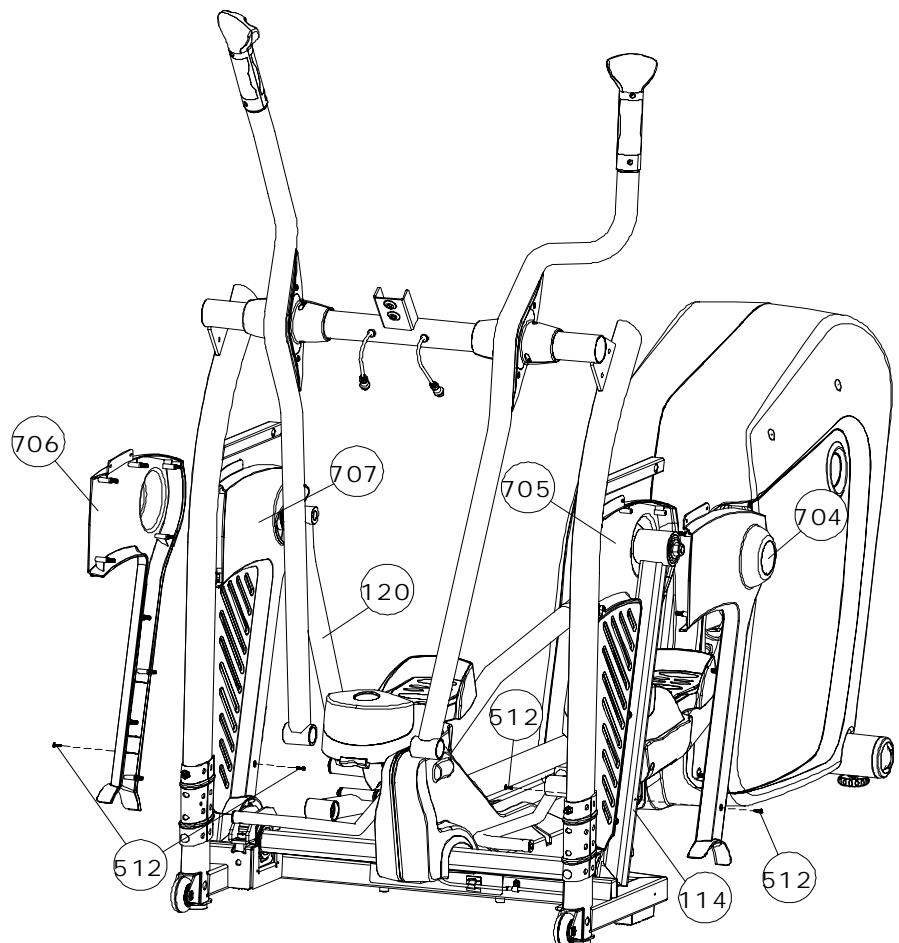
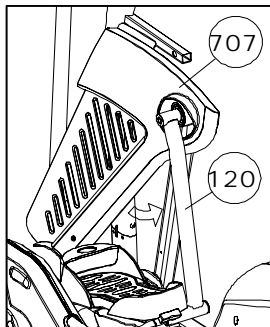
506 X2**517 X4****518 X4****519 X4**

ASSEMBLY**STEP 5: Attach the Pivot Arm Covers**

(A) Thread the free end of the Pedal Swing Arm (120) through the hole in the Pivot Arm Cover-RL (707) and maneuver the Pivot Arm Cover-RL (120) to its final upright position. See the illustrations in STEP1, STEP2, and STEP3.

(B) Assemble the Pivot Arm Cover-RR (706) and the Pivot Arm Cover (707) using the press-fit pins and secure to the frame using two 4 x 12mm Screws (512).

(C) Repeat the above procedure to assemble the left side.

512 X4**STEP 1****STEP 2****STEP 3**

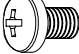


ASSEMBLY

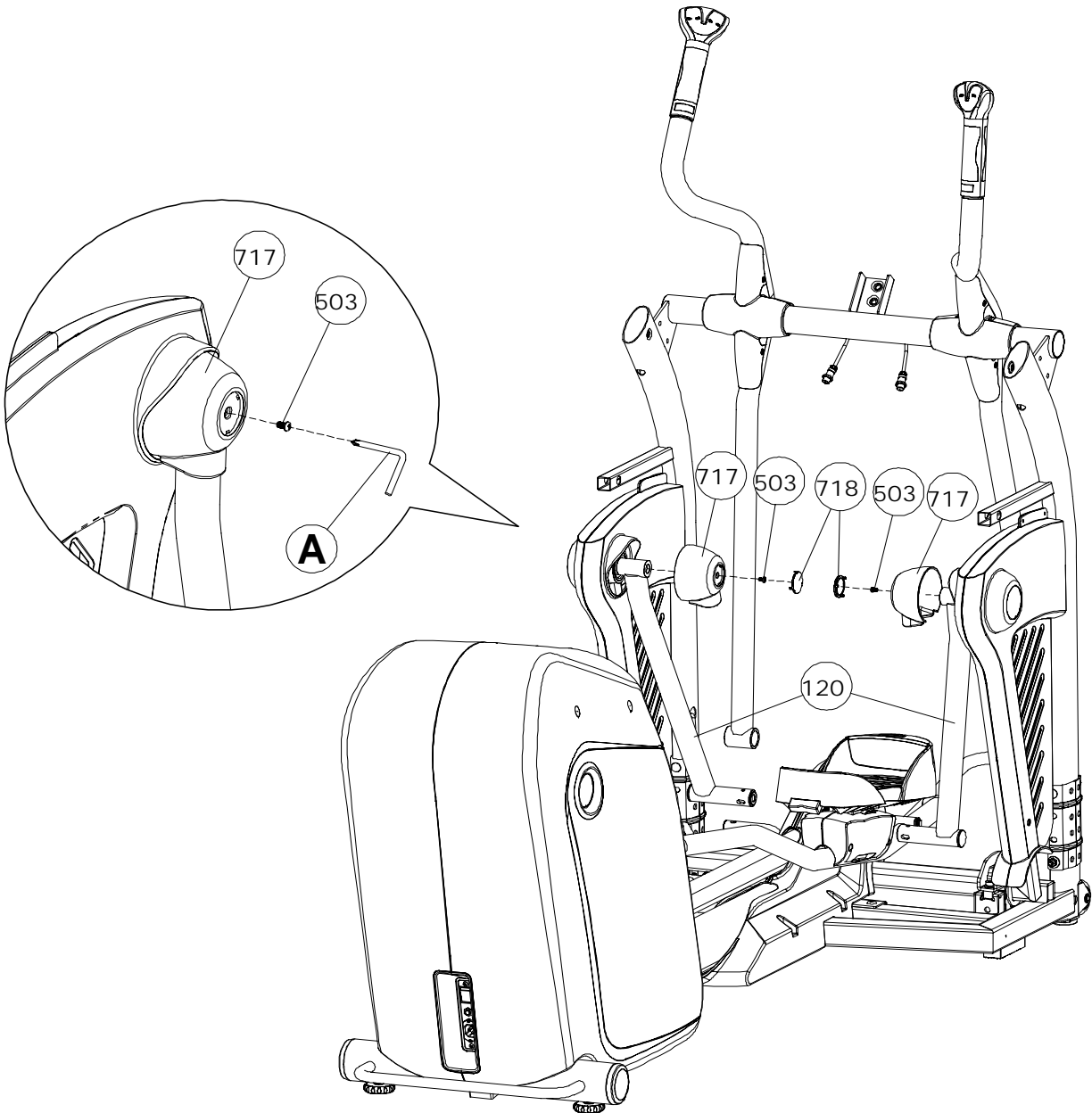
STEP 6: Assemble the Pivot Cap

NOTE: ALIGN THE 3 SNAP FIT TABS ON THE PEDAL SIDE CAPS (718) WITH THE 3 SNAP FIT ON THE PEDAL CAPS (717).

(A) Assemble the Pivot Cap (717) to the Pedal Swing Arm (120) and secure using the M5 x 8mm Screw (503).

(B) Press the Pedal Side Cap (718) to the Pedal Cap (717).

| | | |
|------------|-----------|---|
| 503 | X2 |  |
| 717 | X2 |  |
| 718 | X2 |  |

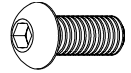
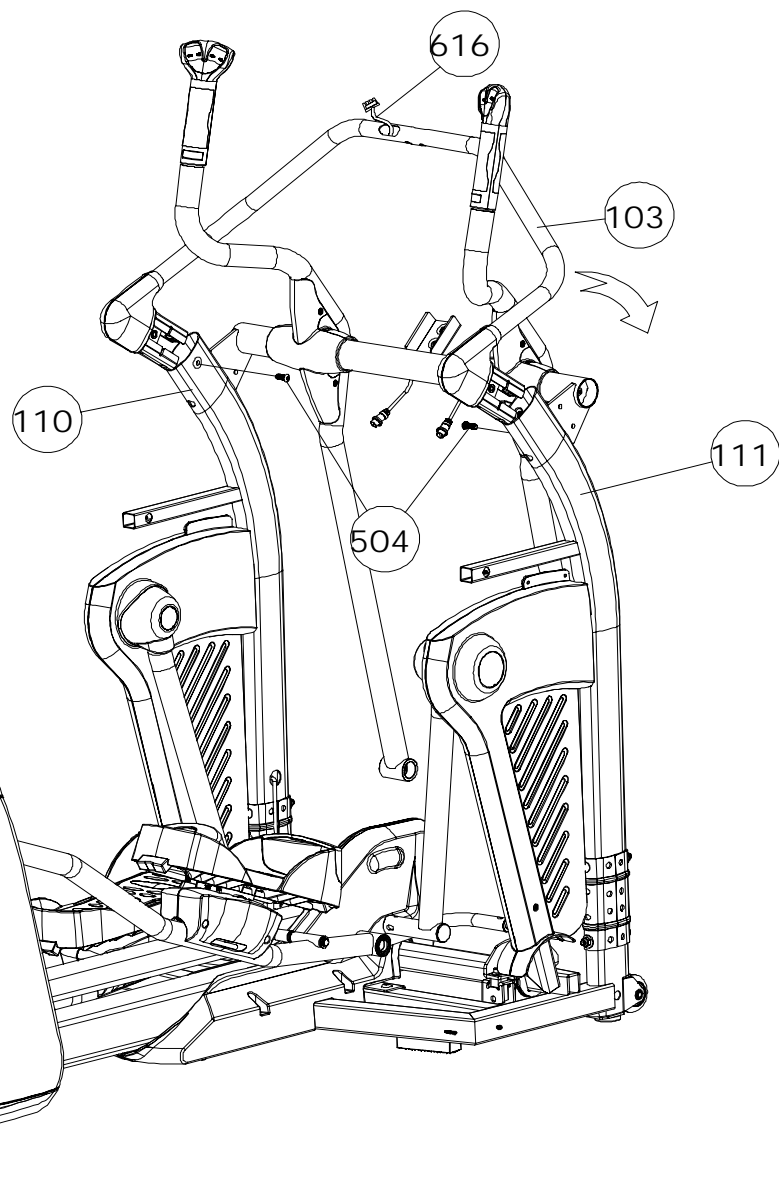
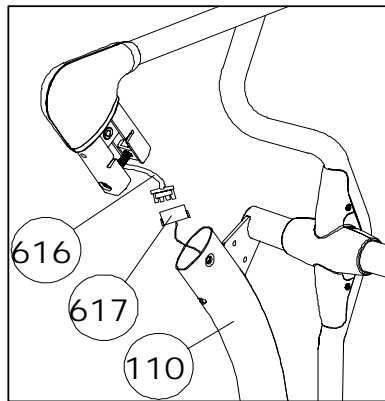


ASSEMBLY**STEP 7: Assemble the Console Support Tube**

NOTE: INSERT BOTH ENDS OF THE CONSOLE SUPPORT TUBE AT THE SAME TIME.

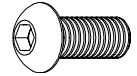
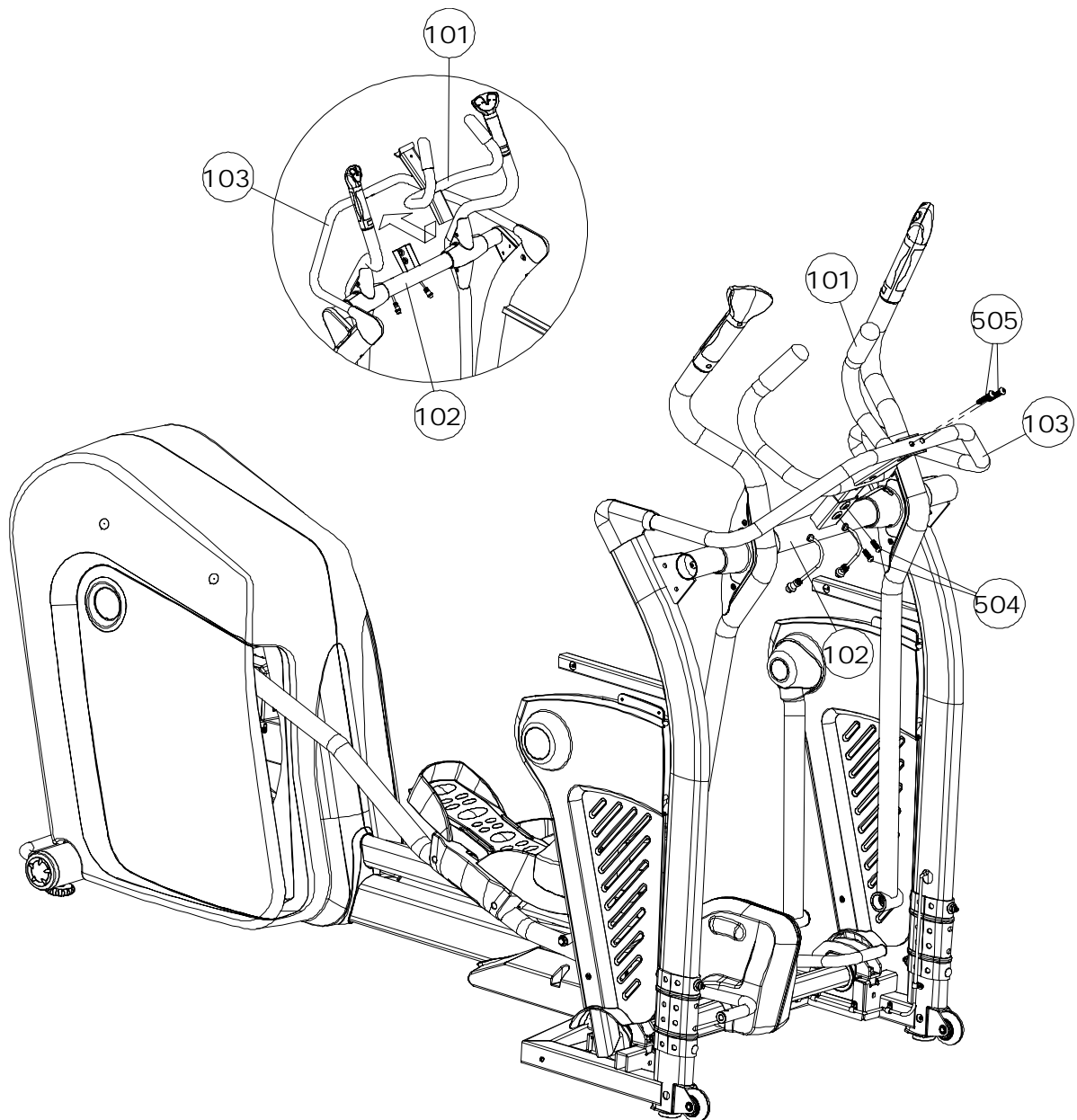
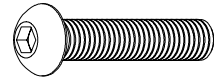
(A) Connect the 8Pin Power Wire-Upper (616) to the 8Pin Power Wire-Middle (617).

(B) Assemble the Console Support Tube (103) to the Upright and Secure using the M8 x 20mm Allen Head Bolt (504).

504 X2**FIG 3**

ASSEMBLY**STEP 8: Assemble the Fixed Handlebar**

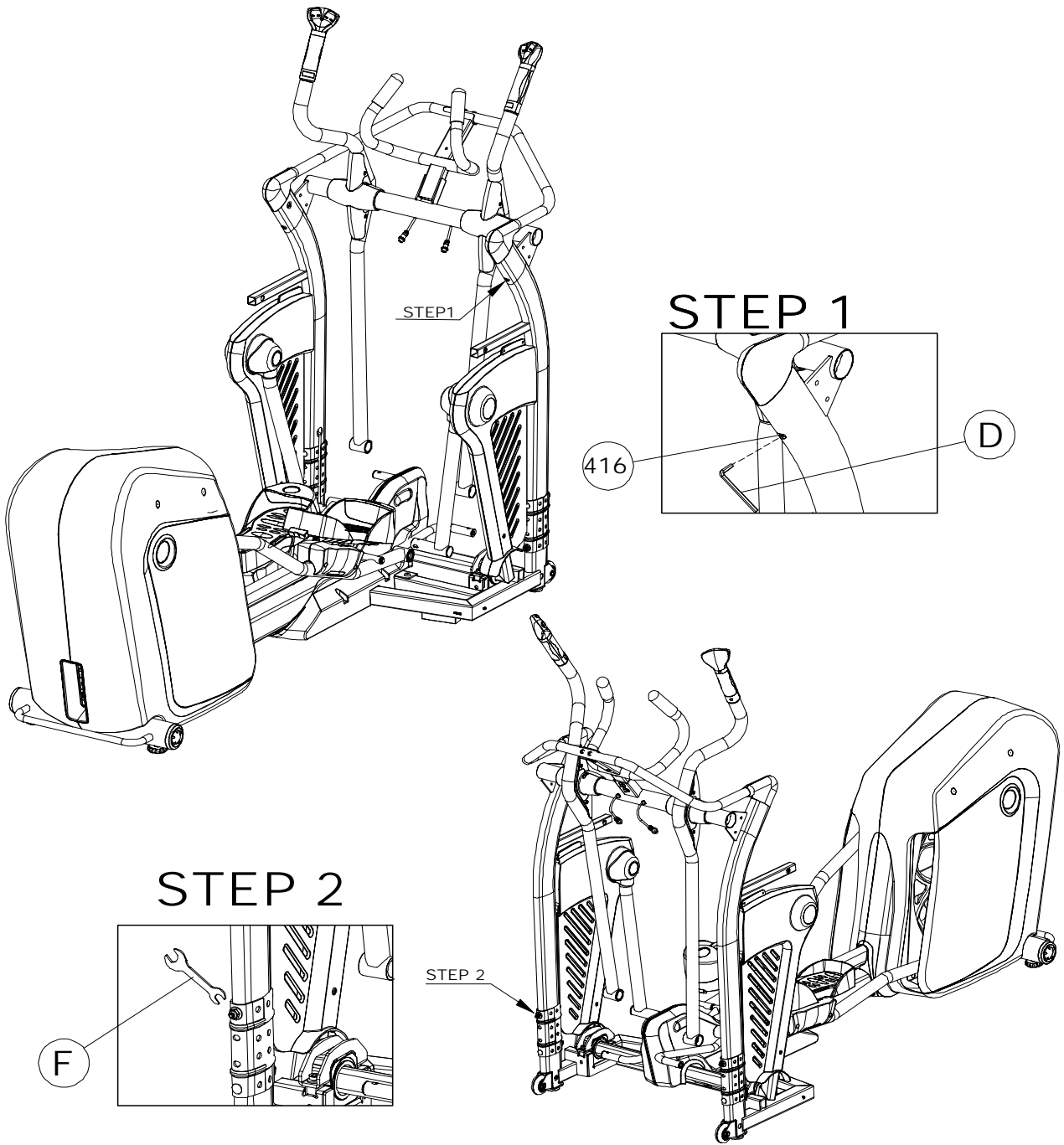
- (A) Assemble the Fixed Handlebar (101) to the Console Support Tube (103) and Crossbar (102).
- (B) Secure the Fixed Handlebar (101) to the Crossbar (102) with two M8 x 20mm Allen Head Bolts (504).
- (C) Secure the Fixed Handlebar (101) to the Console Support Tube (103) with two M8 x 40mm Allen Head Bolts (505).

504 X2**505 X2**

ASSEMBLY

STEP 9: Tighten all Bolts

- (A) Tighten the M8 x 65mm Allen Head Cap Bolt by 6mm Allen Key (D) as show in STEP1.
- (B) Tighten the M8 x 105 x 20mm Allen Head Bolt (504) by Wrench (F) as show in STEP2.



ASSEMBLY

STEP 10: Assemble Upright Side Covers

(A) Press the Upright Side Cover-Left (701) and Upright Side Cover-Right into the Upright sides.

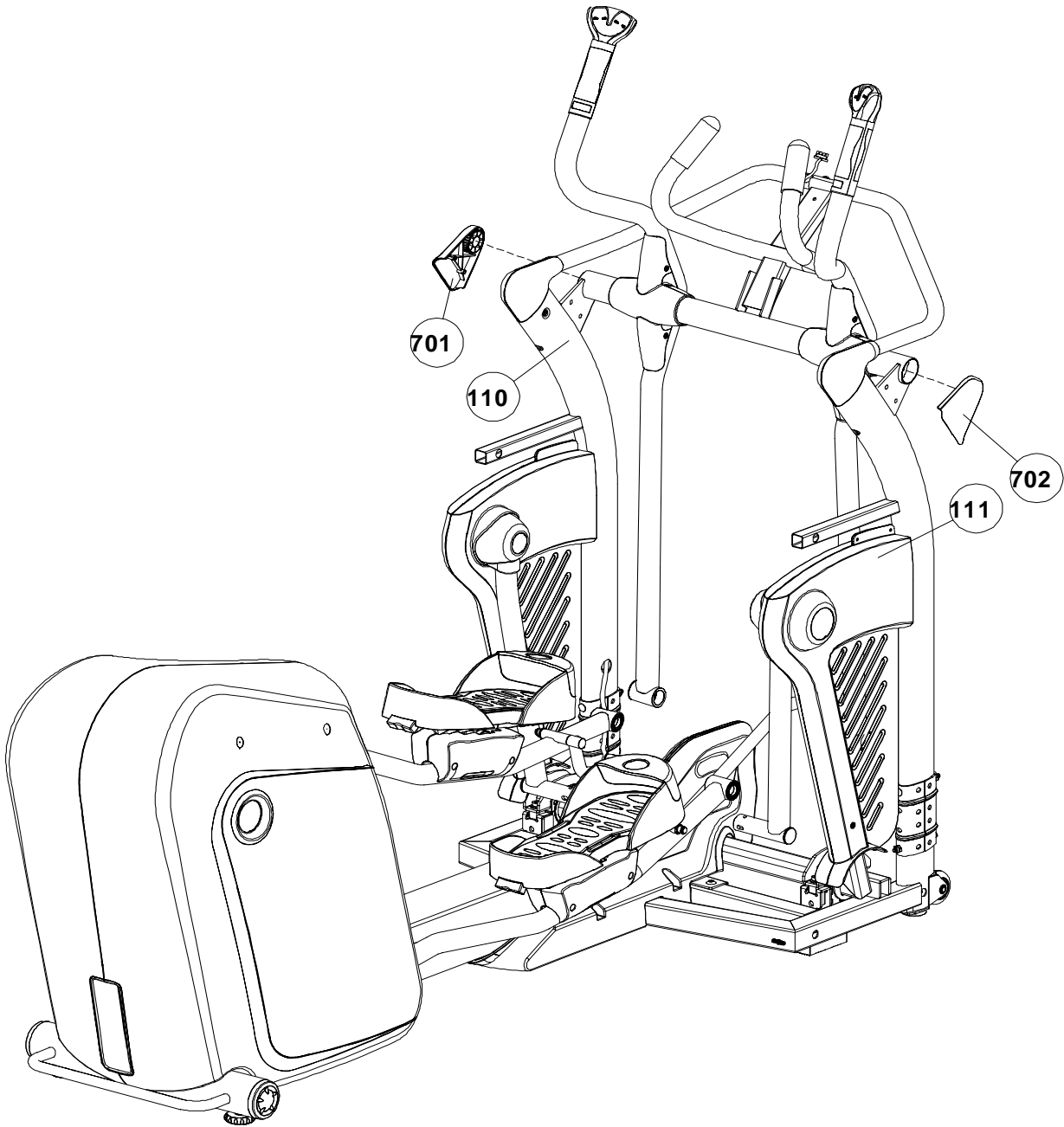
701

X1



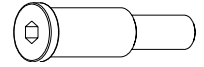
702

X1

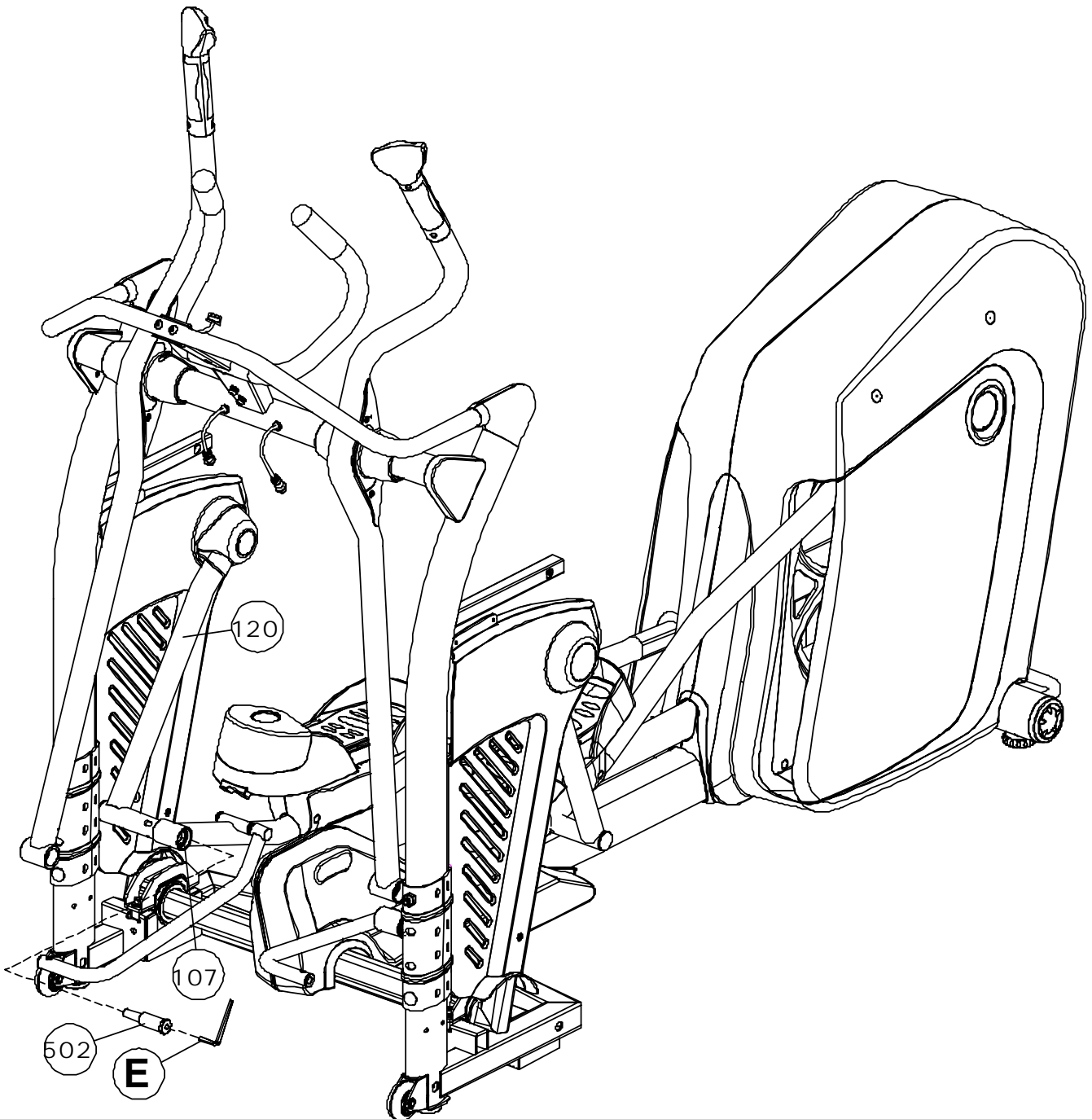


ASSEMBLY**STEP 11: Connect the Pedal Arm to the Pedal Swing Arm**

(A) Slide the 20 x 78-M14 X 35mm Bolt (502) through the Pedal Arm-Right (107) and Pedal Swing Arm (120) the secure by 8mm Allen Key (E).

502 X2

(B) Repeat the above procedure to assemble the left side.

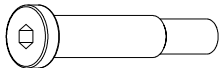
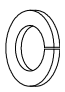
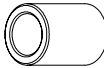
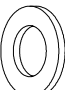


ASSEMBLY

STEP 12: Connect the Moving Linkage

(A) Connect the Action Handlebar-Right (109) to the Moving Linkage-Right (113) and secure using the 12 x 62-M10 x 20mm Bolt (501), 12 x 2 x 2mm Spring Washer (510), 12 x 22 x 2mm Washer (515), and 12 x 18 x 24.5 Sleeve (514) by 6mm Allen Key (D), as show in FIG1.

(B). Repeat the above procedure to assemble the left side.

| | | |
|------------|-----------|---|
| 501 | X2 |  |
| 510 | X2 |  |
| 514 | X2 |  |
| 515 | X2 |  |

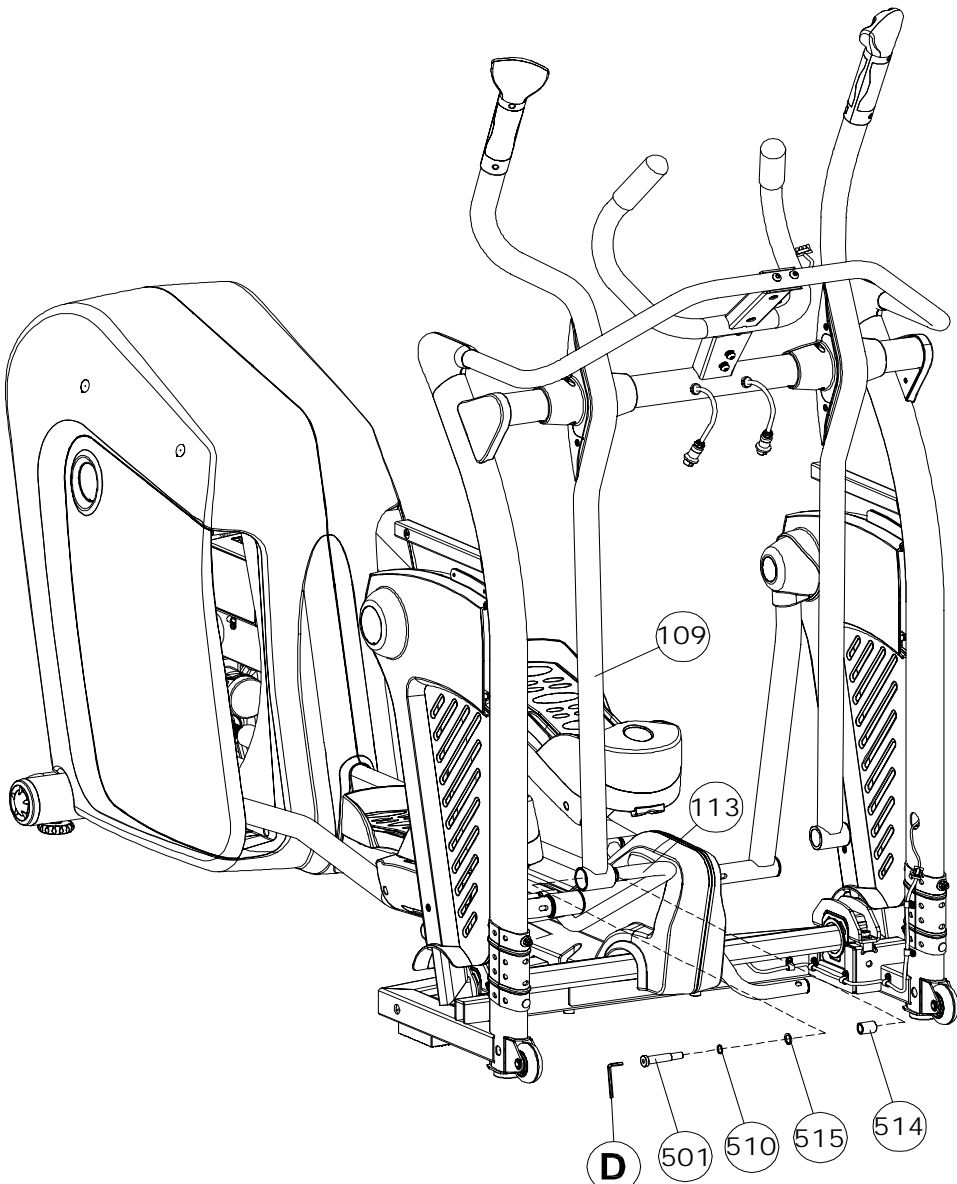
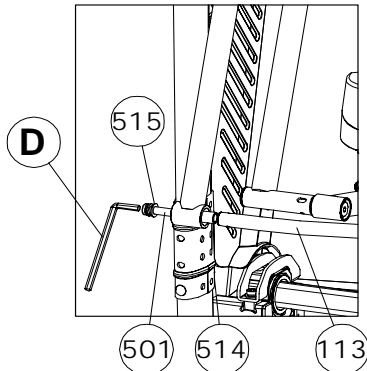


FIG 1



ASSEMBLY

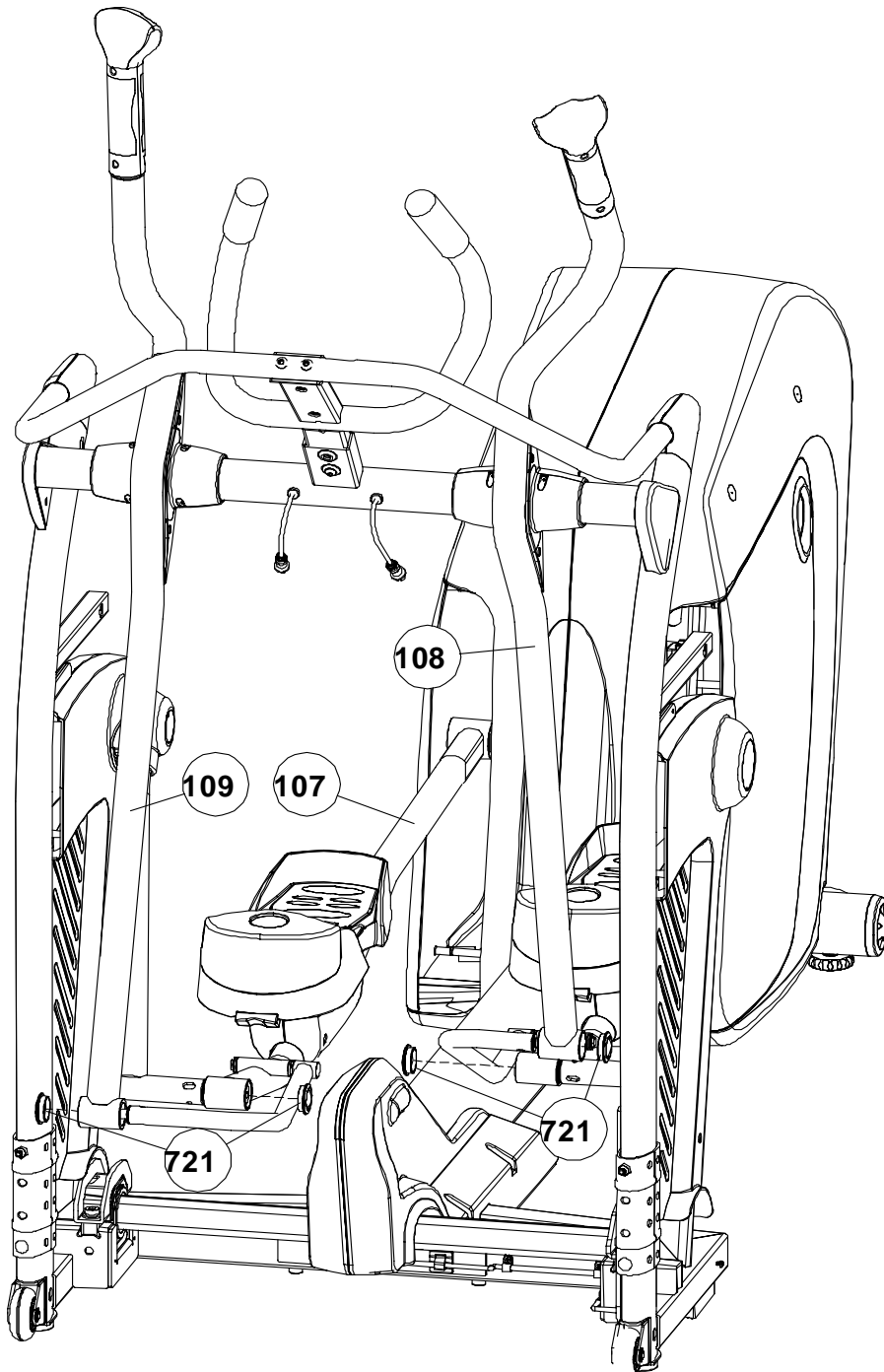
STEP 13: Assemble the Pedal Arm Front Pivot Covers

(A) Press the Pedal Arm Front Pivot Cover (721) into the ends of the Action Handlebar-Right (109) and Pedal Arm-Right (107).

(B) Repeat the above procedure on the left side.

721

X4

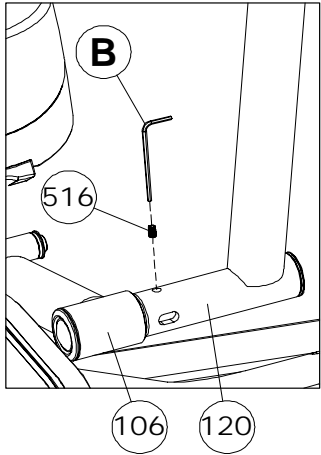
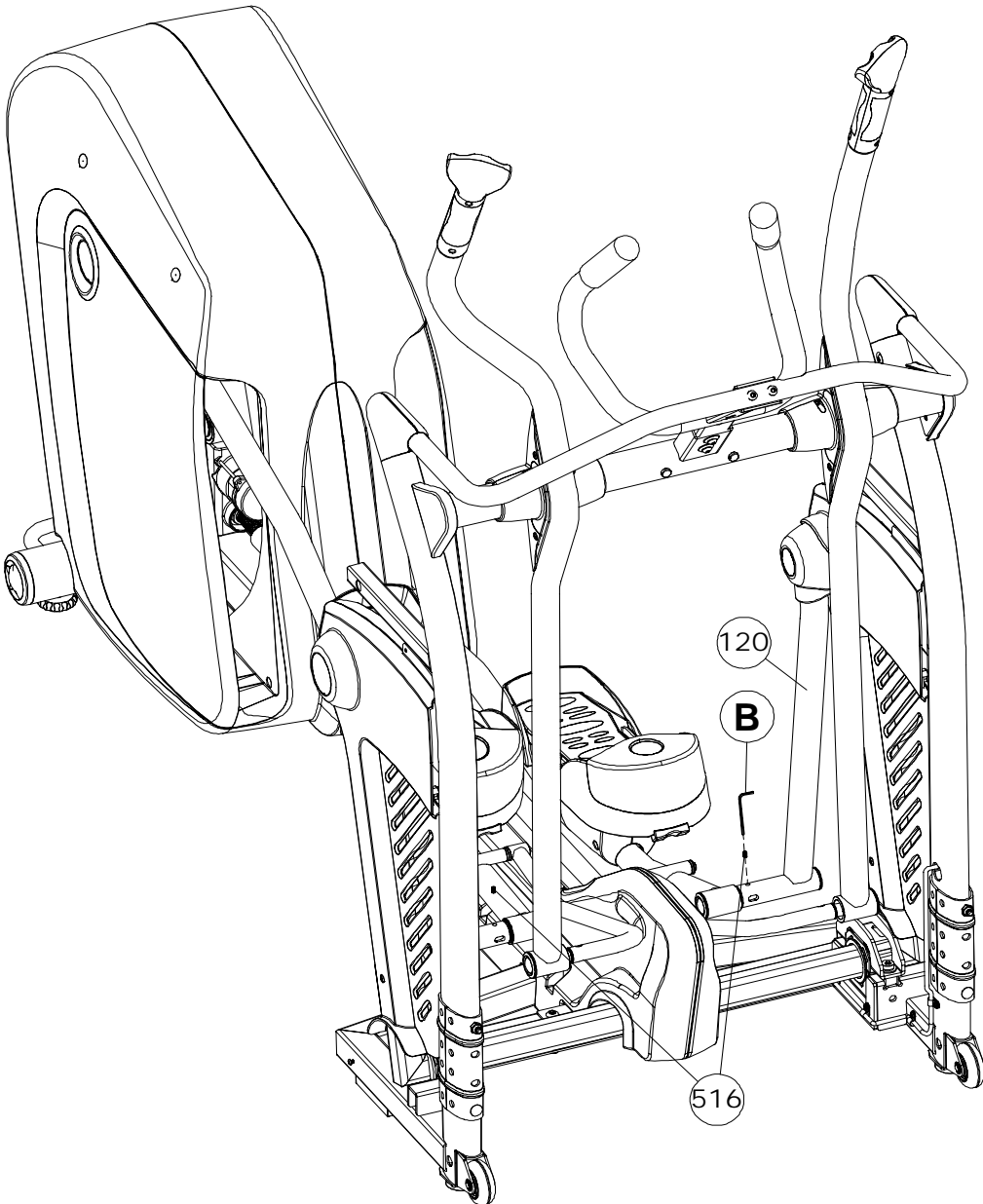


ASSEMBLY

STEP 14: Tighten Set Screws

(A) Secure the M5 x 6mm Screw (516) to the Pedal Swing Arm (120) using the 2.5mm Allen Key (B).

516 X2 



ASSEMBLY

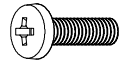
STEP 15: Assemble the Front Side Panels

NOTE: THERE ARE 2 HOLES IN THE FRAME COMPONENTS THROUGH WHICH THE INSIDE AND OUTSIDE PLASTIC PANELS CONNECT TO EACHOTHER. USE THESE HOLES AS REFERENCES TO CORRECTLY POSITION THE PLASTIC PANELS.

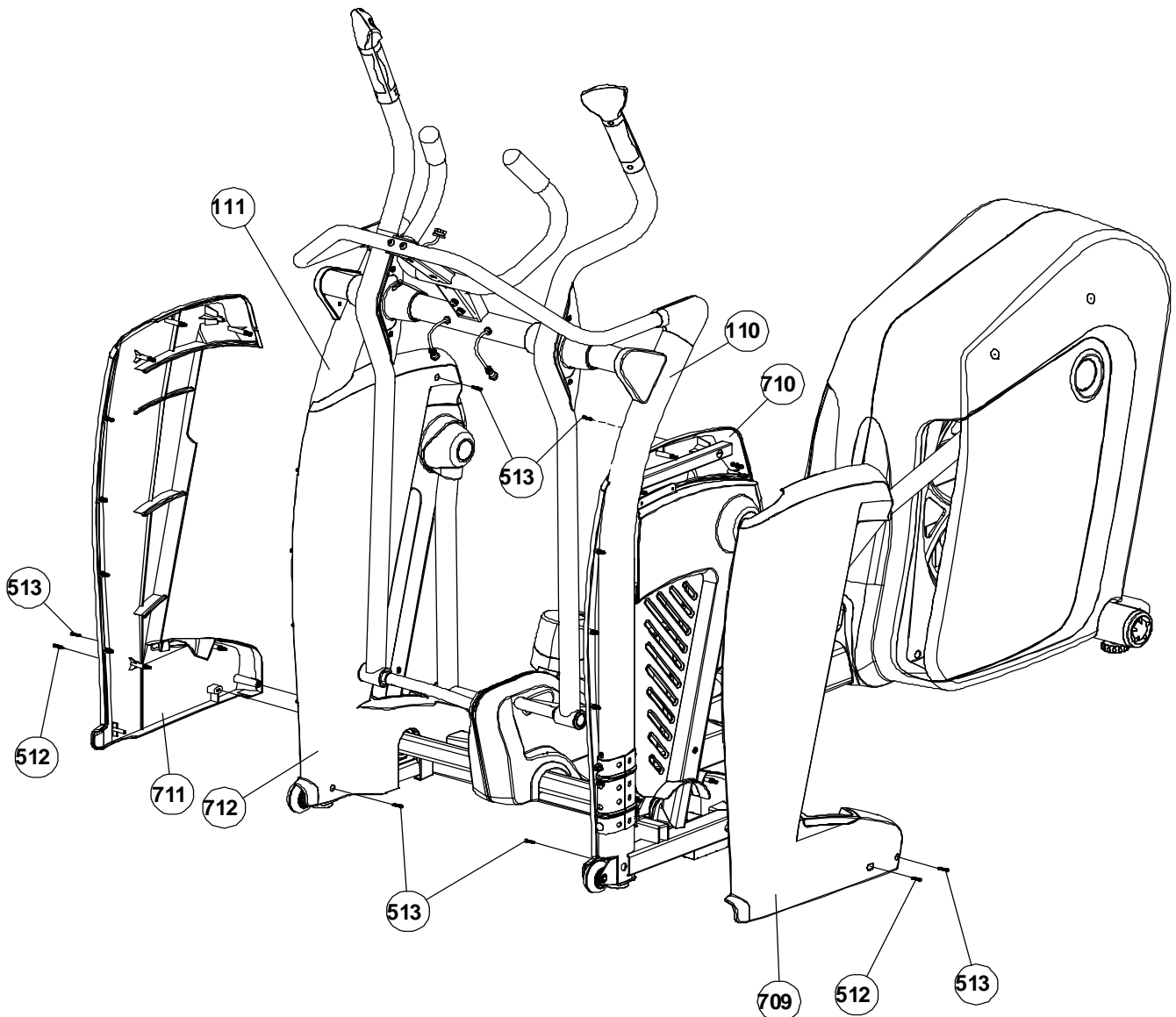
(A) Assemble the Front Side Panel-LL (709) and Front Side Panel-LR (710) to the left Upright and secure using one 4 x 12 Screw (512) and three 4 x 19mm Screws (513).

(B) Repeat the above procedure to assemble the right side.

512 X2



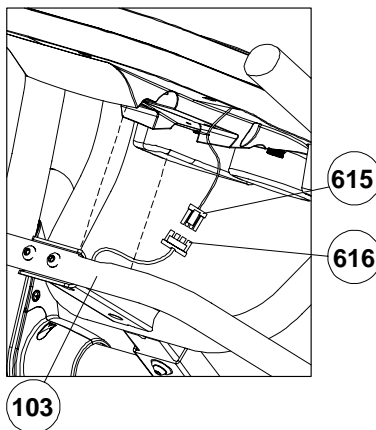
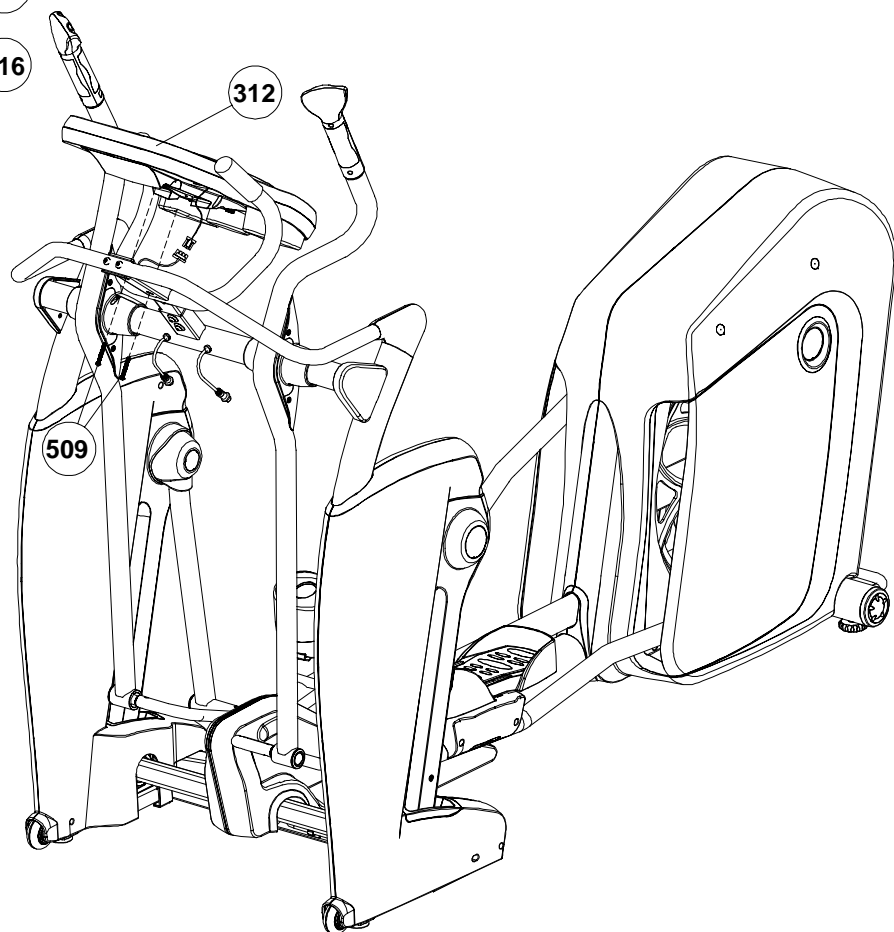
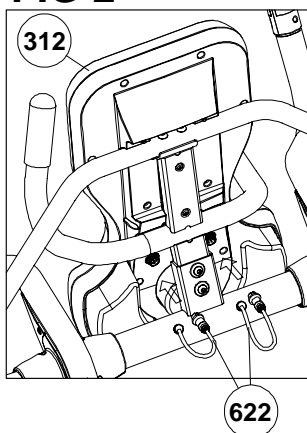
513 X6



ASSEMBLY**STEP 16: Assemble the Console**

NOTE: BE SURE TO PUSH THE WIRES INTO THE CONSOLE BEFORE YOU SECURE TO THE FRAME.

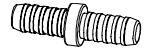
- (A) Connect the 8Pin Power Wire-Top (615) to the 8Pin Power Wire-Upper (616) as show in FIG1.
- (B) Assemble the Computer (312) to the Console Support Tube (103) and secure using two M6 x 40mm Screws (509).
- (C) Connect the Hand Pulse Sensor Wire-Upper (622) to Computer (312) as show in FIG2.

509 X2**FIG 1****FIG 2**

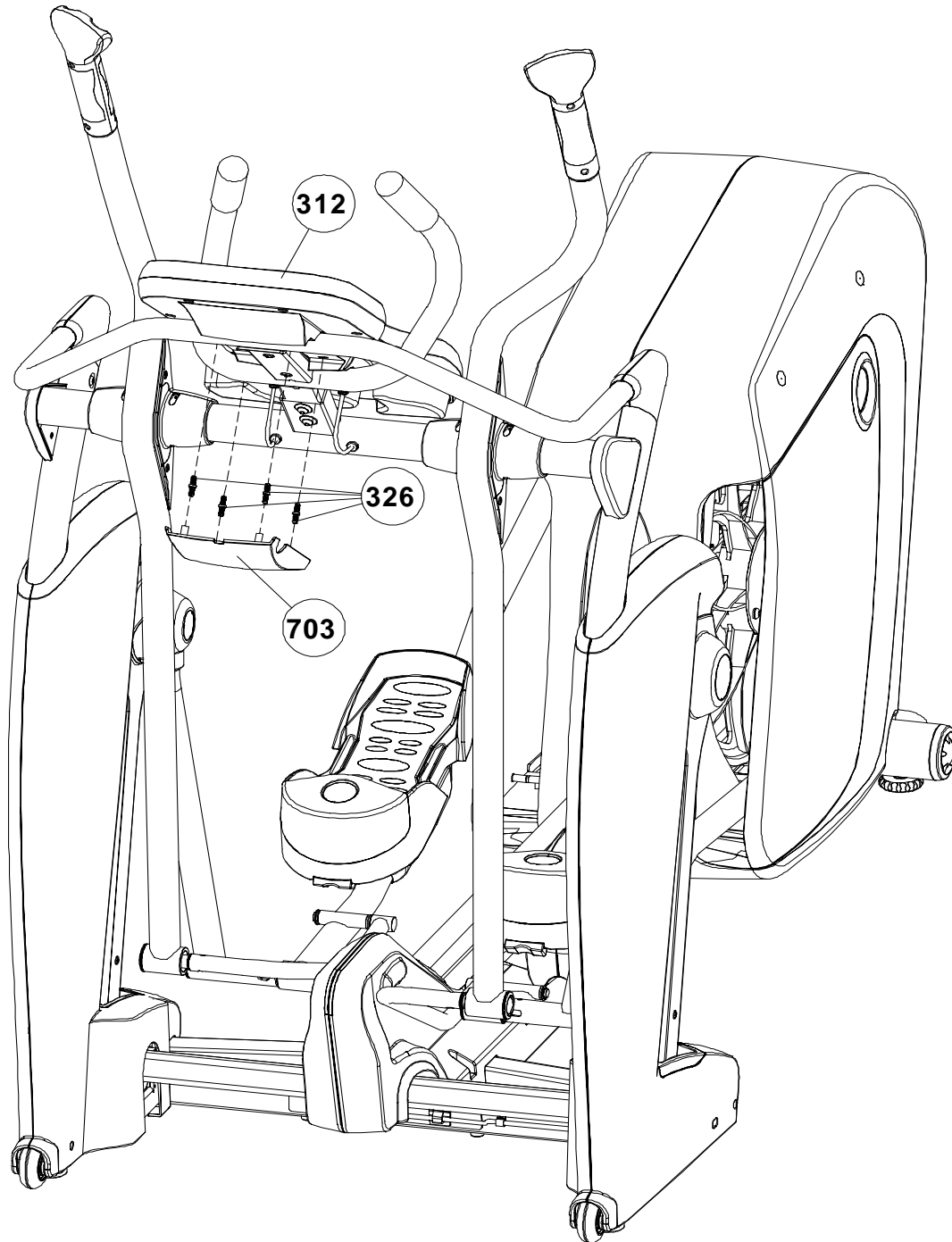
ASSEMBLY**STEP 17: Assemble Console Back Cover**

(A) Assemble the four Taper Fixing Inserts (326) to the Console Back Cover (703).

326 X4



(B) Assemble the Console Back Cover (703) to the Computer (312).



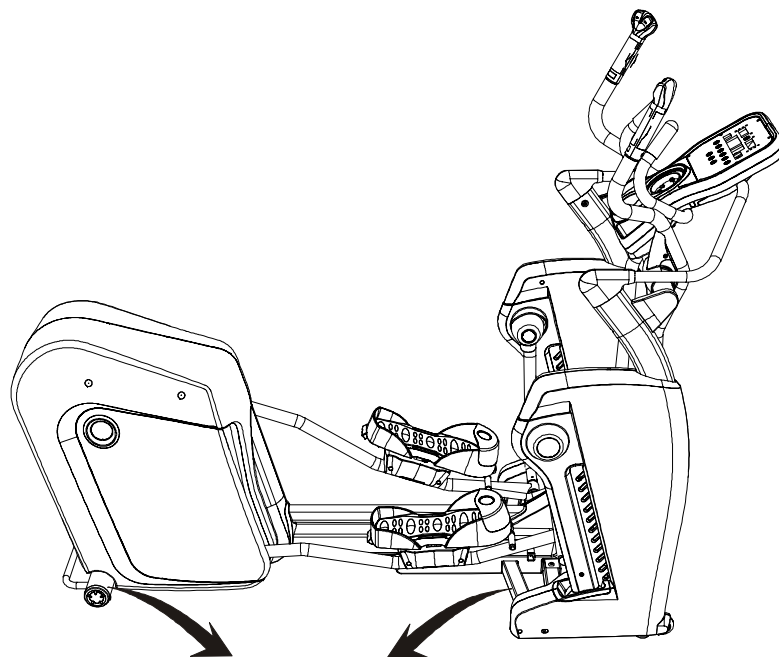
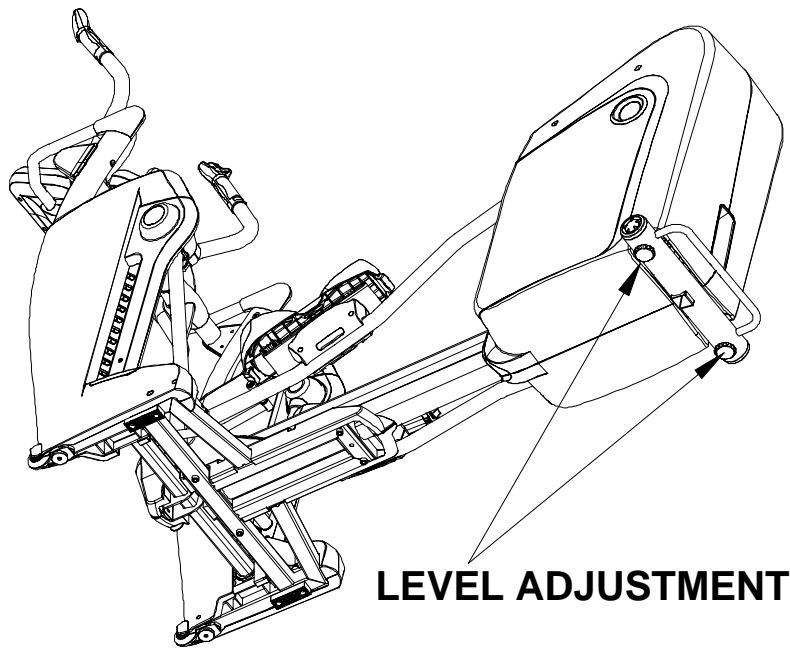
LEVEL ADJUSTMENT

LEVEL ADJUSTMENT:

To adjust the levelers follow these instructions:

You will need someone to help you with this procedure, as you will need to tip, the AGILE Dynamic Motion Trainer while adjusting the levelers

Tip the AGILE Dynamic Motion Trainer to the left/right. You will then see the LEVEL ADJUSTERS. These will need to be screwed either in or out to level the trainer. Repeat for the other side. It may help to use a bubble level when adjusting the level on your AGILE Dynamic Motion Trainer.



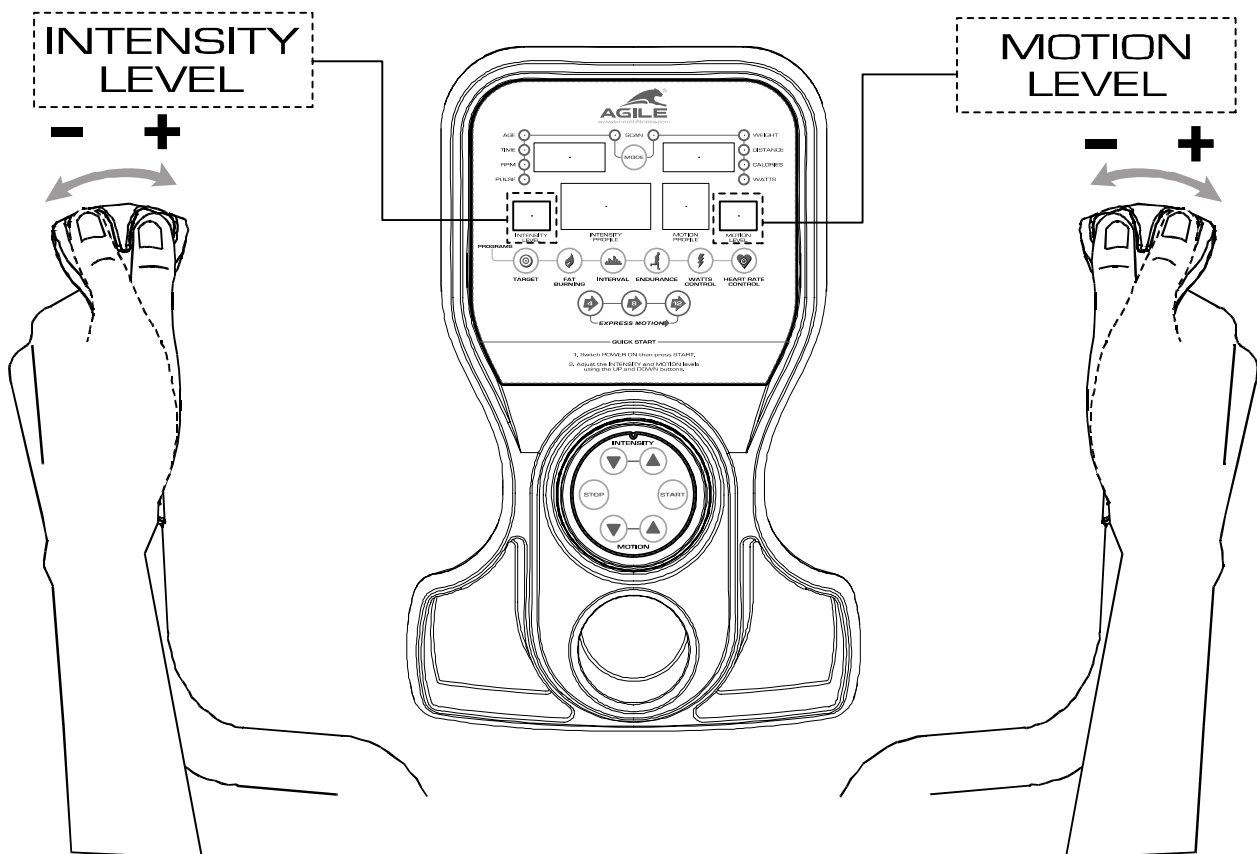
SERIAL NUMBER LOCATION

LITE-TOUCH CONTROL OPERATION

LITE-TOUCH CONTROL:

The Intensity Level and Motion Level can be controlled using the Lite-Touch controls on the hand grips of the action handlebars. As the illustration indicates, the right Lite-Touch Controller controls the Motion Level and the left Lite-Touch Controller controls the Intensity Level. You can see the corresponding readouts on the console follow this same orientation.

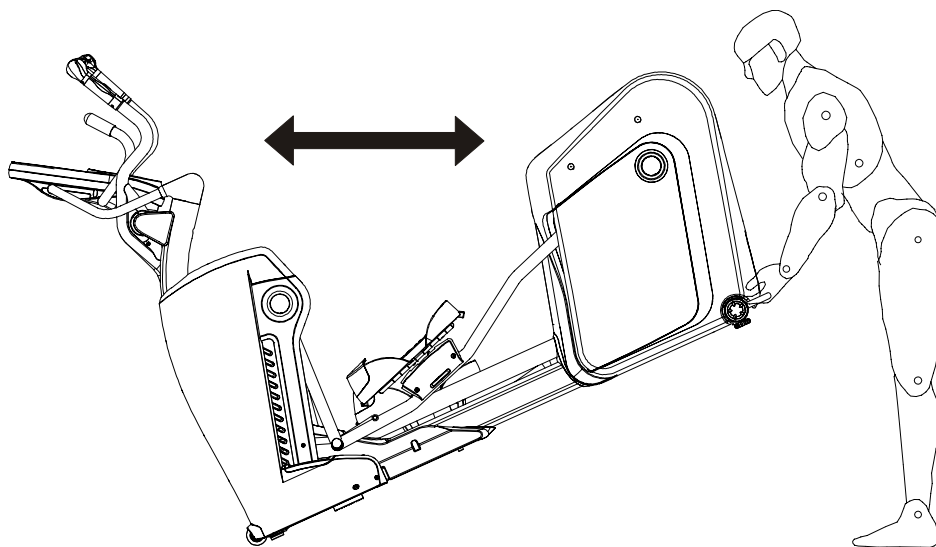
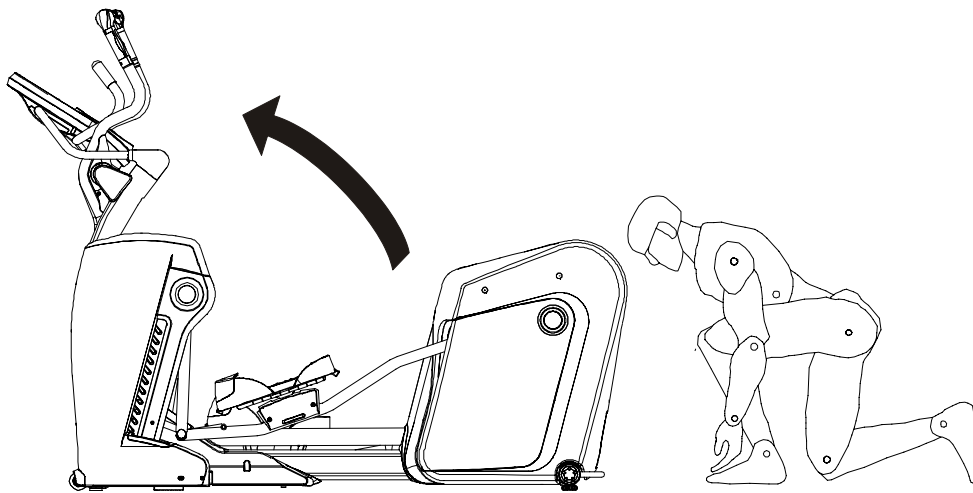
To use the Lite-Touch Controls, simply start a program or select START and begin your work out. To increase either the Motion Level or the Intensity Level, move your thumb to the thumb groove with the "+" indicator. If you hold your thumb in the thumb groove the level will continue to increase until you remove your thumb. To decrease the level simply place your thumb in the groove marked with the "-" indicator.



TRANSPORT INSTRUCTION

TRANSPORT INSTRUCTIONS:

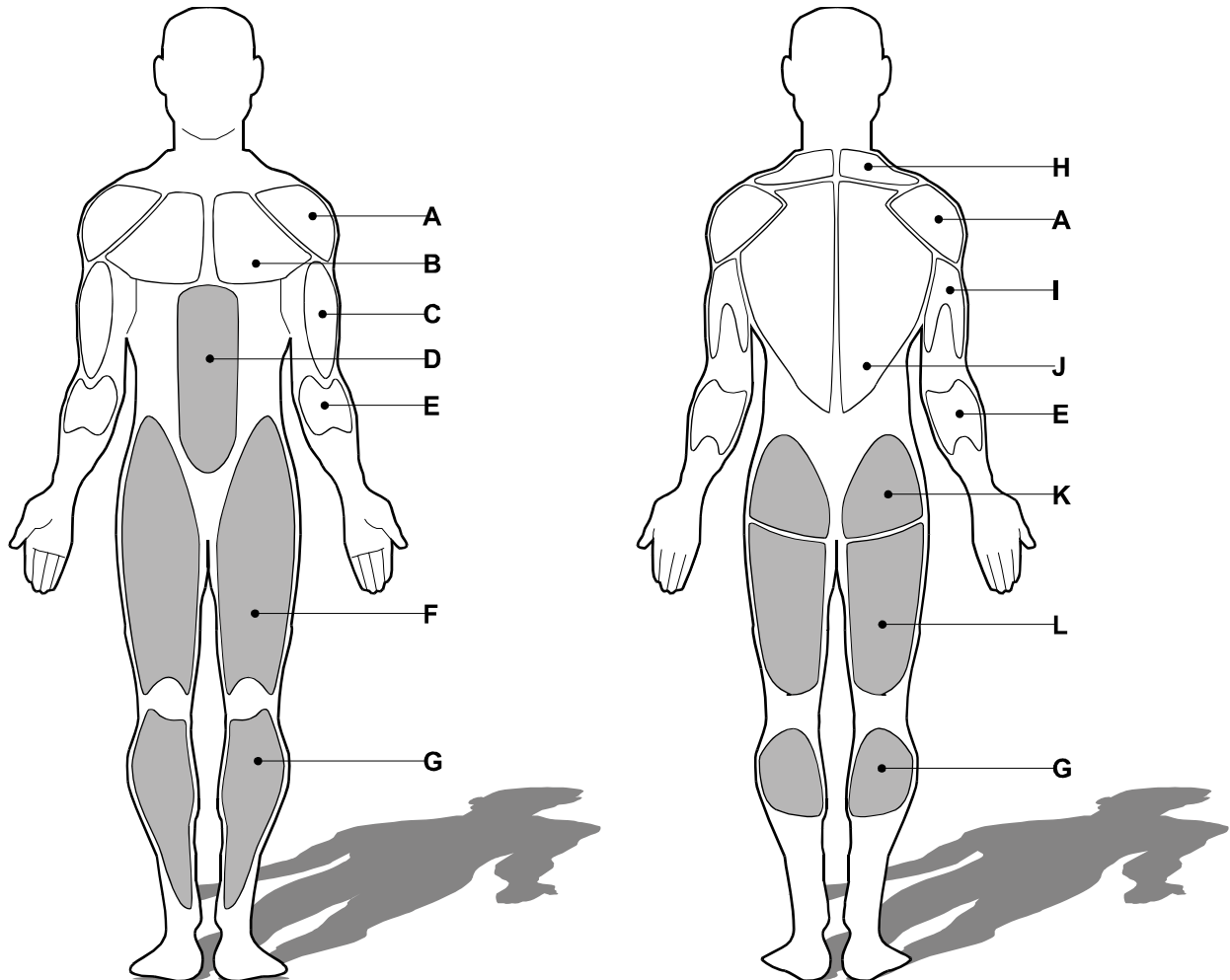
To transport your AGILE Dynamic Motion Trainer simply lift the back end and roll it away to the desired location, as shown.



MUSCLE CHART

Targeted muscle groups:

The exercise routine that is performed on this product will develop primarily lower body muscle groups. These muscle groups are shown in gray color on the chart below.



MUSCLE GROUPS

| | | | |
|----------|-------------------|-------------------|----------|
| A | Shoulder muscles | Calf muscles | G |
| B | Pectoral muscles | Trapezius muscles | H |
| C | Bicep muscle | Tricep muscles | I |
| D | Abdominal muscles | Back muscles | J |
| E | Forearm muscles | Gluteal muscles | K |
| F | Quadricep muscles | Hamstring muscles | L |

STRETCHING ROUTINE

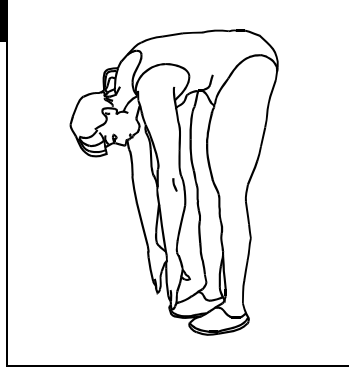
Warm up and cool down:

A successful exercise program consists of a warm-up, aerobic exercise, and a cool-down. Do the entire program at least two and preferably three times a week, resting for a day between workouts. After several months, you can increase your workouts to four or five times per week.

Warming up is an important part of your workout, and should begin every session. It prepares your body for more strenuous exercise by heating up and stretching out your muscles, increasing your circulation and pulse rate, and delivering more oxygen to your muscles. At the end of your workout, repeat these exercises to reduce sore muscle problems. We suggest the warm-up and cool-down exercises on the following pages:

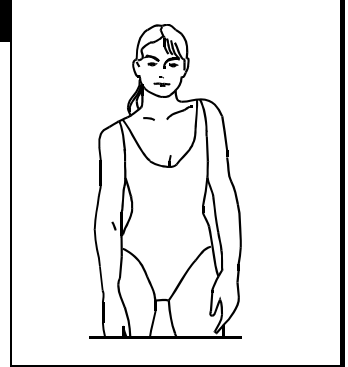
Toe Touch:

Slowly bend forward from your waist, letting your back and shoulders relax as you stretch toward your toes. Reach down as far as you can and hold for 15 counts.



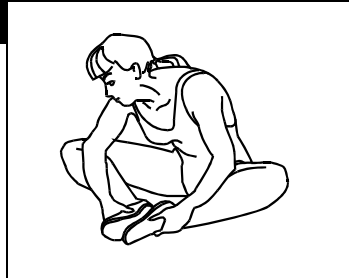
Shoulder Lift:

Lift your right shoulder up toward your ear for one count. Then lift your left shoulder up for one count as you lower your right shoulder.



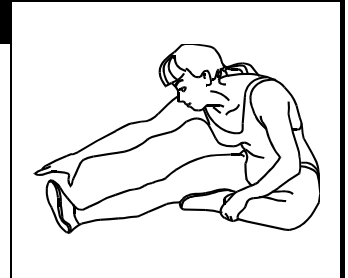
Inner Thigh Stretch:

Sit with the soles of your feet together with your knees pointing outward. Pull your feet as close into your groin as possible. Gently push your knees towards the floor. Hold for 15 counts.



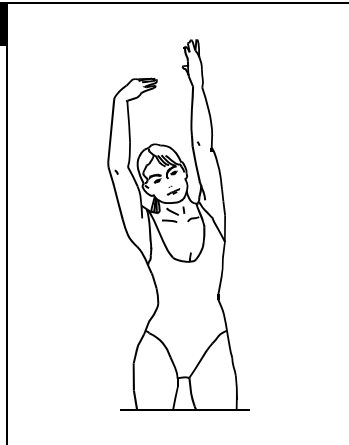
Hamstring Stretch:

Sit with your right leg extended. Rest the sole of your left foot against your right inner thigh. Stretch toward your toe as far as possible. Hold for 15 counts. Relax and then repeat with left leg extended.



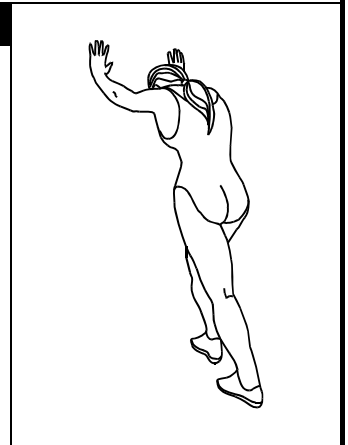
Side Stretch:

Open your arms to the side and continue lifting them until they are over your head. Reach your right arm as far upward toward the ceiling as you can for one count. Feel the stretch up your right side. Repeat this action with your left arm.



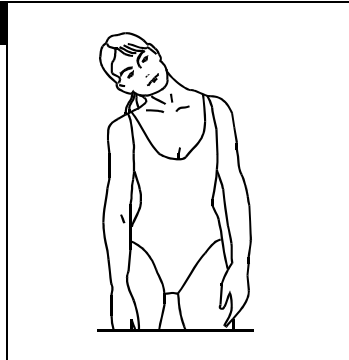
Calf-Achilles Stretch:

Lean against a wall with your left leg in front of the right and your arms forward. Keep your right leg straight and the left foot on the floor; then bend the left leg and lean forward by moving your hips toward the wall. Hold, and then repeat on the other side for 15 counts.

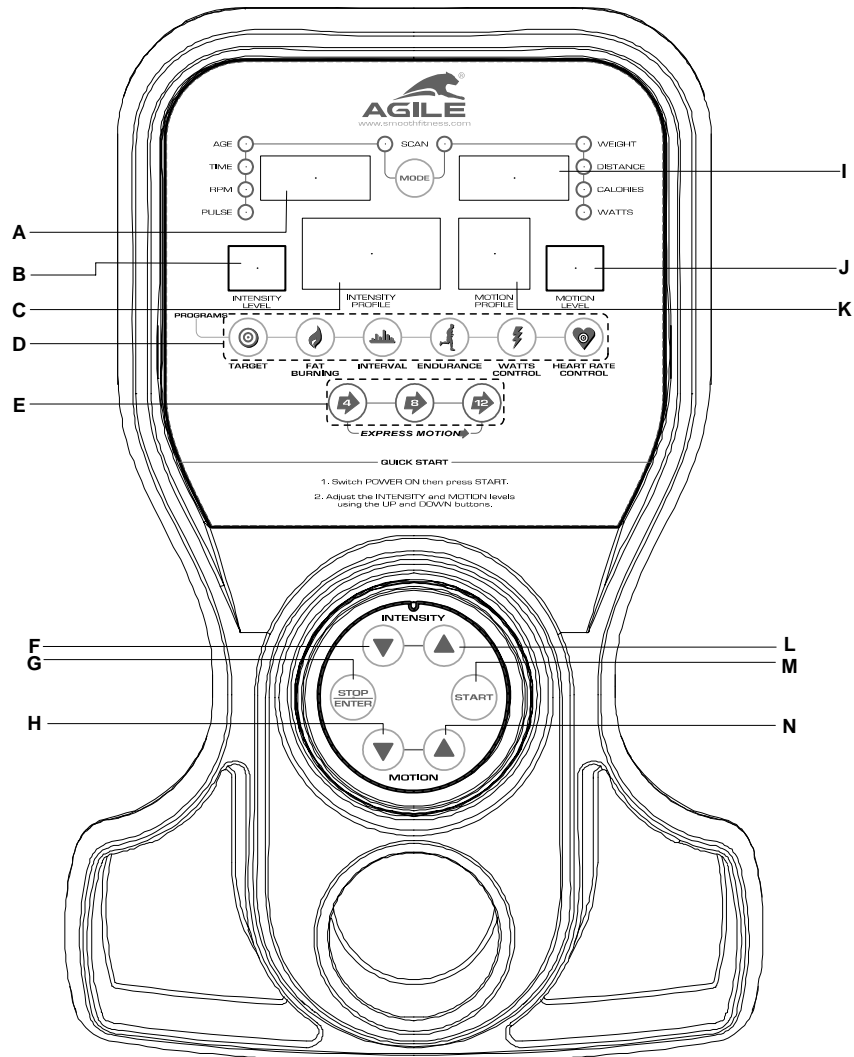


Head Roll:

Rotate your head to the right for one count, feeling the stretch up the left side of your neck. Next, rotate your head back for one count, stretching your chin to the ceiling and letting your mouth open. Rotate your head to the left for one count, and finally, drop your head to your chest for one count.



COMPUTER OPERATION



- | | | | |
|-------------------|----------|----------|----------------|
| DTAT DISPLAY-1 | A | I | DTAT DISPLAY-2 |
| INTENSITY LEVEL | B | J | MOTION LEVEL |
| INTENSITY PROFILE | C | K | MOTION PROFILE |
| PROGRAMS | D | L | INTENSITY-UP |
| EXPRESS MOTION | E | M | START |
| INTENSITY-DOWN | F | N | MOTION-UP |
| STOP / ENTER | G | | |
| MOTION-DOWN | H | | |

COMPUTER OPERATION

DISPLAY FUNCTIONS:

There are 6 display areas to show all the necessary information prior to and during the workout.

INTENSITY LEVEL DISPLAY:

Displays intensity level from 1 to 20.

8 x 16 DOT MATRIX INTENSITY LEVEL PROFILE DISPLAY:

Displays all operating instructions prior to the workout and displays intensity level profiles during the workout.

8 x 8 DOT MATRIX MOTION LEVEL PROFILE DISPLAY:

Displays motion level profiles during the workout.

MOTION LEVEL DISPLAY:

Displays motion levels from 1 to 12.

DATA DISPLAY 1:

Prior to using a preset program, data display 1 displays and allows user to set age, workout time and target heart rate.

During the workout, data display 1 displays TIME, RPM or PULSE depending on which display mode is selected. Scan mode can also be selected to view all available data.

DATA DISPLAY 2:

Prior to using a preset program, data display 2 displays and allows user to set weight, distance target, calorie target or watt target.

During the workout, data display 2 displays DISTANCE, CALORIES or WATTS depending on which display mode is selected. Scan mode can also be selected to view all available data.

DISPLAY MODES:

Mode 1: Scan mode (scans through display modes 2-4)

Mode 2: TIME and DISTANCE

Mode 3: RPM and CALORIES

Mode 4: PULSE and WATTS

COMPUTER OPERATION:

POWER ON:

Plug in the POWER CORD and set the power switch to ON. All the LED windows will light up and begin scanning. The INTENSITY LEVEL Dot Matrix displays and begins scrolling "*SELECT-QUICK-START-OR-PROGRAM*". The other LED windows will show the factory settings as follows:

INTENSITY LEVEL window display: "1"

MOTION LEVEL window display: "1"

DATA DISPLAY-1: displays (default AGE): "35", AGE LED light on.

DATA DISPLAY-2: displays (default WEIGHT): "150" lb, WEIGHT LED light on.

During the workout, press the STOP button twice to return to POWER ON status.

SLEEP MODE:

The computer will automatically enter SLEEP MODE if left idle for 3 minutes without any input in POWER ON status. When the computer is in SLEEP MODE, press any button or pedal and the machine will return to POWER ON status. You can turn SLEEP MODE off but the console will be drawing power indefinitely if it is plugged in to keep the LEDs lit. To turn SLEEP MODE off, get the console to POWER ON status then press INTENSITY UP and DOWN buttons and hold for 5 seconds. Data display 2 will show "1". Press the START button and data display 2 will display the SLEEP MODE status. To toggle between "On" and "Off", select INTENSITY UP or DOWN then press STOP/ENTER to confirm and return to POWER ON status.

PAUSE/STOP:

During the workout, press the STOP button or stop pedaling for 10 seconds to enter PAUSE status. The INTENSITY LEVEL Dot Matrix display will show "*PAUSE*". All the figures on the console will be frozen. Press the START button or start pedaling to resume the program and all the displays will

COMPUTER OPERATION

continue the performance until the program finishes. If you leave the pedal stopped for over 3 minutes or press the STOP button twice, all the data will return to 0 and the computer will return to POWER ON status.

ENGLISH/METRIC CONVERSION:

The console display can show ENGLISH and METRIC information. The factory should have the proper setting on this for the different markets. In case it needs to be converted between METRIC and ENGLISH readout, please follow the procedure below:

1. Set the POWER SWITCH to ON. Press both the STOP and MOTION UP button at the same time and hold for 3 seconds. The INTENSITY LEVEL Dot Matrix will display and scrolling "KM" or "ML". KM is displayed for METRIC and ML for ENGLISH.
2. Press the INTENSITY UP/DOWN button to switch between Metric and English then pressing STOP/ENTER to save the setting and return to Power On status.

SOUND on/off:

From the POWER ON status press and hold INTENSITY UP and DOWN buttons for 5 seconds to get to the display control mode. The data display 2 will be displaying "1". Press INTENSITY UP once so that "2" is displaying then press the START button. To toggle between sound "on" or "off" use the INTENSITY UP or DOWN button then press STOP/ENTER to confirm and return to POWER ON status.

PROGRAM OPERATING INSTRUCTION

QUICK START:

When the console is in POWER ON status, press the START button to activate the QUICK START program. The Intensity Level Display shows "1" and the INTENSITY LEVEL Dot Matrix displays the intensity level profile. The Motion Level Display shows "1" and the MOTION LEVEL Dot Matrix displays motion level profile. Press the INTENSITY UP/DOWN button to change the intensity level. Press the MOTION UP/DOWN button to change the motion level. The TIME, CALORIES and DISTANCE will count up from 0.

TARGET PROGRAM:

When the console is in POWER ON status, press the TARGET program button once to enter the TARGET TIME program set up:

Press TARGET program button twice to enter the TARGET DISTANCE program set up,
Press TARGET PROGRAM button three times to enter the TARGET CALORIES program set up

Continue the rotation among these three target programs by pressing the TARGET program button.

Target Time:

Press the TARGET program button once to get to the TARGET TIME program, then press STOP/ENTER to enter the set up procedure.

TIME display shows the factory default setting "30:00". Press INTENSITY UP/DOWN button to adjust the target time and press STOP/ENTER to confirm.

AGE display shows factory default setting "35". Press INTENSITY UP/DOWN button to adjust the user age and press STOP/ENTER to confirm.

WEIGHT display shows factory default setting "68(kgs)/150(Lb). Press INTENSITY UP/DOWN button to adjust the user weight and press STOP/ENTER to confirm.

Press START button to start the target time program. Time counts down to 0, Distance and Calories count up. Press INTENSITY UP/DOWN to adjust the resistance and press MOTION UP/DOWN to adjust the motion.

Target Distance:

Press the TARGET program button twice to get to the TARGET DISTANCE program then press STOP/ENTER to enter the set up procedure.

DISTANCE display shows factory default setting "5.00". Press INTENSITY UP/DOWN button to adjust the target distance and press STOP/ENTER to confirm.

AGE display shows factory default setting "35". Press INTENSITY UP/DOWN button to adjust the user age and press STOP/ENTER to confirm.

COMPUTER OPERATION

WEIGHT display shows factory default setting "68(kgs)/150(Lb). Press INTENSITY UP/DOWN button to adjust the user weight and press STOP/ENTER to confirm.

Press START button to start the target distance program. Distance counts down to 0, Time and Calories count up. Press INTENSITY UP/DOWN to adjust the resistance and press MOTION UP/DOWN to adjust the motion.

Target Calories:

Press the TARGET program button three times to get to the TARGET CALORIES program, then press STOP/ENTER to enter the set up procedure.

CALORIES display shows factory default setting "50". Press INTENSITY UP/DOWN button to adjust the target calories and press STOP/ENTER to confirm.

AGE display shows factory default setting "35". Press INTENSITY UP/DOWN button to adjust the user age and press STOP/ENTER to confirm.

WEIGHT display shows factory default setting "68(kgs)/150(Lb). Press INTENSITY UP/DOWN button to adjust the user weight and press STOP/ENTER to confirm.

Press START button to start the target distance program. Calories counts down to 0, Time and Calories count up. Press INTENSITY UP/DOWN to adjust the resistance and press MOTION UP/DOWN to adjust the motion.

FAT BURNING PROGRAM

When the console is in POWER ON status, press the FAT BURNING program button then press STOP/ENTER to continue the set up procedure.

TIME display shows factory default setting "30:00". Press INTENSITY UP/DOWN button to adjust the target time and press STOP/ENTER to confirm.

AGE display shows factory default setting "35". Press INTENSITY UP/DOWN button to adjust the user age and press STOP/ENTER to confirm.

WEIGHT display shows factory default setting "68(kgs)/150(Lb). Press INTENSITY UP/DOWN button to adjust the user weight and press STOP/ENTER to confirm.

Press START button to start the FAT BURNING program. Time counts down to 0, Distance and Calories count up. Dot Matrix display shows the pre-set INTENSITY and MOTION profile. Press INTENSITY UP/DOWN to adjust the resistance and press MOTION UP/DOWN to adjust the motion.

INTERVAL PROGRAM

When the console is in POWER ON status, press the INTERVAL program button once to select the INTENSITY INTERVAL program then press STOP/ENTER to enter the program set up procedure.

OR

Press INTERVAL program button twice to select the MOTION INTERVAL program then press STOP/ENTER to enter the program set up procedure.

Continue the rotation between these two INTERVAL programs by pressing the INTERVAL program button.

Intensity Interval Program

When the console is in INTENSITY INTERVAL program set up, INTENSITY LEVEL DISPLAY shows "L1". This indicates the intensity level for the intervals. Use the INTENSITY UP/DOWN buttons to change the intensity then press STOP/ENTER button to enter to confirm.

TIME display shows factory default setting "32:00". Press INTENSITY UP/DOWN button to adjust the target time and press STOP/ENTER to confirm.

AGE display shows factory default setting "35". Press INTENSITY UP/DOWN button to adjust the user age and press STOP/ENTER to confirm.

WEIGHT display shows factory default setting "68(kgs)/150(Lb). Press INTENSITY UP/DOWN button to adjust the user weight and press STOP/ENTER to confirm.

COMPUTER OPERATION

Press START button to start the INTENSITY INTERVAL program. Time counts down to 0, Distance and Calories count up. Dot Matrix display shows the pre-set INTENSITY and MOTION profile. Press INTENSITY UP/DOWN to adjust the resistance and press MOTION UP/DOWN to adjust the motion.

Motion Interval Program

When the console is in MOTION INTERVAL program set up, MOTION LEVEL DISPLAY shows "L1". This indicates the intensity level for the intervals. Use the INTENSITY UP/DOWN buttons to change the intensity then press STOP/ENTER button to confirm.

TIME display shows factory default setting "32:00". Press INTENSITY UP/DOWN button to adjust the target time and press STOP/ENTER to confirm.

AGE display shows factory default setting "35". Press INTENSITY UP/DOWN button to adjust the user age and press STOP/ENTER to confirm.

WEIGHT display shows factory default setting "68(kgs)/150(Lb). Press INTENSITY UP/DOWN button to adjust the user weight and press STOP/ENTER to confirm.

Press START button to start the MOTION INTERVAL program. Time counts down to 0, Distance and Calories count up. Dot Matrix display shows the pre-set INTENSITY and MOTION profile. Press INTENSITY UP/DOWN to adjust the resistance and press MOTION UP/DOWN to adjust the motion.

ENDURANCE PROGRAM

When the console is in POWER ON status, press the ENDURANCE program button then press STOP/ENTER to continue to the set up procedure.

Workout Level set up

TIME display shows "L1", Press INTENSITY UP/DOWN button to adjust the workout level and press STOP/ENTER to confirm.

TIME display shows factory default setting "32:00". Press INTENSITY UP/DOWN button to adjust the target time and press STOP/ENTER to confirm.

AGE display shows factory default setting "35". Press INTENSITY UP/DOWN button to adjust the user age and press STOP/ENTER to confirm.

WEIGHT display shows factory default setting "68(kgs)/150(Lb). Press INTENSITY UP/DOWN button to adjust the user weight and press STOP/ENTER to confirm.

Press START button to start the ENDURANCE program. Time counts down to 0, Distance and Calories count up. Dot Matrix display shows the pre-set INTENSITY and MOTION profile. Press INTENSITY UP/DOWN to adjust the resistance and press MOTION UP/DOWN to adjust the motion.

WATTS CONTROL PROGRAM

The function of Watts Control program is to allow the user to set a desired workout load (watts). The user's workout load is controlled automatically by increasing or decreasing the resistance as the user changes their stride cadence (RPM). The intensity will be reduced when user increases RPM and the intensity will be increased when the user decreases the RPM.

When the console is in POWER ON status, press the WATTS CONTROL program button then press STOP/ENTER to continue the set up procedure.

WATTS display shows factory default setting "110". Press INTENSITY UP/DOWN button to adjust the target Watts and press STOP/ENTER to confirm.

TIME display shows factory default setting "32:00". Press INTENSITY UP/DOWN button to adjust the target time and press STOP/ENTER to confirm.

AGE display shows factory default setting "35". Press INTENSITY UP/DOWN button to adjust the user age and press STOP/ENTER to confirm.

COMPUTER OPERATION

WEIGHT display shows factory default setting "68(kgs)/150(Lb). Press INTENSITY UP/DOWN button to adjust the user weight and press STOP/ENTER to confirm.

Press START button to start the WATTS program. Time counts down to 0, Distance and Calories count up. Dot Matrix display shows the pre-set INTENSITY and MOTION profile. Press INTENSITY UP/DOWN to adjust the resistance and press MOTION UP/DOWN to adjust the motion

TARGET HEART RATE CONTROL PROGRAM :

The TARGET HEART RATE CONTROL program is designed to keep the user training at their chosen heart rate level to achieve the proper workout result. A heart rate monitoring device must be used for this program. The equipment provides a standard contact handgrip on the moving handle bar to sense the user heart beat during the workout. The user must hold the contact handgrips on the moving handle bar constantly in order to monitor the user heart rate during the workout. A wireless chest belt transmitter is highly recommended for this program.

IMPORTANT: The console software will calculate the user's SAFE MAXIMUM HEART RATE based on the formula: 220bpm-AGE. User's are encouraged to consult with a doctor or personal

Training consultant to more accurately estimate their SAFE MAXIMUM HEART RATE in order to workout safely.

When the console is in POWER ON status, press the HEART RATE CONTROL program button. The 8x16 Dot Matrix displays "HEART RATE CONTROL" Press STOP/ENTER to continue to the set up procedure.

TIME display shows factory default setting "30:00". Press INTENSITY UP/DOWN button to adjust the target time and press STOP/ENTER to confirm.

AGE display shows factory default setting "35". Press INTENSITY UP/DOWN button to adjust the user age and press STOP/ENTER to confirm.

PULSE display shows the calculated TARGET HEART RATE based on the user age setting from the above step. The TARGET HEART RATE = 85% MAXIMUM SAFE HEART RATE. Press INTENSITY UP/DOWN button to adjust the target heart rate then press the STOP/ENTER button to confirm.

WEIGHT display shows factory default setting "68(kgs)/150(Lb). Press INTENSITY UP/DOWN button to adjust the user weight and press STOP/ENTER to confirm.

Press the START button to start the 3 minute WARM UP. The purpose of warm up program is to bring the user's heart rate to 65% of the MAXIMUM SAFE HEART RATE. Time counts down from "3.00" to "0:00". Intensity Level Profile displays "WARM UP" 3 times. During the WARM UP, if the actual heart rate is less than 65% of the user's MAXIMUM SAFE HEART RATE, the intensity level will be increased by 1 level every 15 seconds. If the actual heart rate reaches 65% MAXIMUM SAFE HEART RATE twice within the warm up, the HEART RATE CONTROL program will start.

If user's actual heart rate fails to reach 65% of MAXIMUM SAFE HEART RATE during the warm up, the user will be placed into a 2nd or 3rd (if necessary) 3 minute warm up program. If user's actual heart rate fails to reach 65% of the MAXIMUM SAFE HEART RATE after the 3rd 3 warm up program, the INTENSITY LEVEL PROFILE dot matrix will display "FAIL" then return to POWER ON status in 10 seconds.

Once the user successfully enters the HEART RATE CONTROL program, the computer will actively adjust the resistance level to keep the users at the TARGET HEART RATE. If the user is consistently below the TARGET HEART RATE, the INTENSITY LEVEL will increase 1 level. If the user reaches and exceeds the TARGET HEART RATE, the INTENSITY LEVEL will decrease 1 level. The program will continue until the time runs out. If the user's heart rate continues to exceed the TARGET HEART RATE for 3 minutes, or the time counts down to "0:00", the heart rate control program will stop and start the 1 minute COOL DOWN function. Time counts down from "1:00" and INTENSITY LEVEL AND MOTION LEVEL at level 1.

WARRANTY

Read and follow the Assembly-instructions and the User's-Manual before using this product.

Warranty Coverage: Smooth Fitness GmbH ("Smooth Fitness") warrants to the original owner that each new product to be free from defects in workmanship and material.

This warranty is limited on home use only.

Period of Coverage: The Home-Use-Warranty on this product runs from the date of original purchase using the following schedule:

| MODEL | FRAME | Electronics | Parts | Labor |
|-----------|----------|-------------|---------|---------|
| AGILE DMT | Lifetime | 2 years | 2 years | 2 years |

- Smooth Fitness will provide a replacement part free of charge if a defect is found during the Warranty period of 2 years.
- Smooth Fitness reserves the right to inspect damaged parts for misuse.
- For Corporate Use (Up to 3 hours use per day): The Warranty on this product runs from the date of your purchase for a period of ONE (1) year.

It is required to show a proof of purchase prior to warranty service being initiated. Your Original Receipt is proof of purchase and should be kept with the product manual.

As a matter of course we will be available and open for all your problems even when the warranty has already expired. Simply call the service number down below.

Any redemption may be by repair or replacement of the affected parts and/or product at the sole discretion of Smooth Fitness, and it's authorized Service Partners. If repairs are required, the unit will be repaired at the location of use or by return to the factory as deemed appropriate by Smooth Fitness.

Parts repaired or replaced pursuant to this Warranty shall be warranted for the unexpired portion of the Warranty applying to the original product. Any technical advice furnished before or after delivery in regard to the use or application of Smooth Fitness products is furnished without charge and on the basis that it represents Smooth Fitness' best judgment under the circumstances but that the advice is used at your sole risk.

Procedure for Obtaining Your Remedy Under This Warranty: To obtain service on a Smooth Fitness product, please call the Smooth Fitness Service Partner under 0800-09 72 100. To help the technician assist you, please have the following information ready:

- Model name or number from the cover of the manual;
- Serial number located on the frame of the unit; and
- The part description and the order number.

Limitations on Warranty: This Warranty does not cover wear and tear, any problems, damages or failures that are caused by accident, improper assembly, failure to observe cautionary labels on the product, failure to operate the product correctly, abuse or freight damage. Smooth Fitness does not warrant against any damage or defects that may result from repair or alterations made to the product by an unauthorized repair facility.

This Warranty does not apply to any product shipped or handled outside of Germany, Austria and England. This Warranty does not apply if the product is used as a rental product or in commercial use. Consequential and incidental damages are not recoverable under this Warranty.

RESEPECTIVE LAWS OF THE COUNTRIES OF SALE REMAIN UNTOUCHED. THIS WARRANTY IS EXPRESSLY IN LIEU OF ALL OTHER EXPRESS WARRANTIES. THE PERIOD OF COVERAGE OF THIS WARRANTY RUNS FROM THE DATE OF PURCHASE: SMOOTH FITNESS IS NOT LIABLE FOR CONSEQUENTIAL OR INCIDENTAL DAMAGES RESULTING FROM ANY DEFECT IN PARTS. SMOOTH FITNESS' SOLE LIABILITY UNDER THIS WARRANTY IS LIMITED TO THE TERMS DESCRIBED IN THIS FORM, AS LONG NOT GOVERNED DIFFERENTLY BY LOCAL LAW:

For assistance with assembly or to order replacement parts, please call the Smooth Fitness Service Partner under 0800-09 72 100. To help them assist you, please have the following information ready:

- Model name or number from the cover of the manual;
- Serial number located on the frame of the unit; and
- The part description and order number.

SICHERHEITSHINWEISE

ACHTUNG: Um die Gefahr von Verbrennungen, Feuer, elektrischen Schlägen und sonstigen Verletzungen zu reduzieren, lesen Sie bitte die folgenden wichtigen Sicherheitshinweise und Informationen, bevor Sie den Elliptical Trainer benutzen. Es liegt in der Verantwortung des Eigentümers sicher zu stellen, dass alle Benutzer dieses Elliptical Trainers hinreichend über alle Sicherheitshinweise und Gefahren informiert wurden.

- Benutzen Sie den Elliptical Trainer nur wie es in dieser Anleitung beschrieben ist.
- Platzieren Sie den Elliptical Trainer nur auf ebenem Untergrund und mit genügend Freiraum dahinter. Platzieren Sie den Elliptical Trainer niemals an Plätzen, die Luftöffnungen blockieren. Legen Sie eine Matte unter den Elliptical Trainer, um den Boden oder Teppich vor eventueller Beschädigung zu schützen.
- Stellen Sie bei der Wahl eines Aufstellungsortes sicher, dass eine Steckdose in der Nähe ist.
- Benutzen Sie den Elliptical Trainer nur innen und schützen Sie ihn vor Feuchtigkeit und Staub. Stellen Sie den Elliptical Trainer nicht in eine Garage, unter eine überdachte Veranda oder in die Nähe von Wasser.
- Benutzen Sie den Elliptical Trainer nicht an einem Ort an dem Sprühvorgänge vorgenommen werden oder mit Sauerstoff umgegangen wird.
- Lassen Sie Kinder unter 12 Jahren und Haustiere zu keiner Zeit in die Nähe des Elliptical Trainers.
- Der Elliptical Trainer sollte nicht von Personen benutzt werden, die mehr als **160kg** (350lbs) wiegen.
- Erlauben Sie nur jeweils einer Person die Benutzung des Elliptical Trainers. Tragen Sie angemessene Trainingskleidung wenn Sie den Elliptical Trainer benutzen. Tragen Sie während des Trainings keine weiten Kleidungsstücke die sich im Elliptical Trainer verfangen könnten. Zweckmäßige Sportbekleidung wird für Männer und Frauen gleichsam empfohlen. Tragen Sie immer Sportschuhe. Benutzen Sie den Elliptical Trainer niemals barfuss, nur in Strümpfen, oder in Sandalen.
- Wenn Sie das Netzkabel einstecken, achten Sie darauf, dass Sie einen geerdeten Stromkreis verwenden. Kein anderes Gerät sollte über denselben Stromkreis laufen.
- Überprüfen Sie den Elliptical Trainer vor jeder Benutzung, um sicher zu stellen, dass alle Teile richtig funktionieren.
- Führen Sie niemals Gegenstände oder Körperteile in die Öffnungen des Geräts ein.
- Folgen Sie den Empfehlungen der Sicherheitshinweise beim Einstecken Ihres Elliptical Trainers.
- Achten Sie darauf, dass das Netzkabel nicht in die Nähe der Pedale des Elliptical Trainer gerät und lassen Sie das Netzkabel nicht unterhalb des Elliptical Trainer verlaufen. Benutzen Sie den Elliptical Trainer nie mit einem beschädigten oder ausgefransten Netzkabel.
- Entfernen Sie den Elliptical Trainer jedes Mal vom Stromnetz bevor Sie ihn säubern oder warten. Wartungen und Reparaturen am Elliptical Trainer sollten nur von einem, vom Hersteller autorisierten, Servicepartner vorgenommen werden. Ein Nicht-Befolgen dieser Anweisung hat den Verfall der Garantie des Elliptical Trainer zur Folge.

STROMVERSORGUNG

FEHLENDE ODER FEHLERHAFTER ERDUNG IHRES GERÄTS ERHÖHT DAS RISIKO EINES ELEKTROSCHOCKS. FALLS SIE ZWEIFEL HABEN, ZIEHEN SIE BITTE EINEN QUALIFIZIERTEN ELEKTRIKER HINZU UND LASSEN ÜBERPRÜFEN OB DAS GERÄT SACHGEMÄSS GEERDET IST. NEHMEN SIE KEINE EINGRIFFE AN DEN MITGELIEFERTEN NETZKABELN VOR. SOLLTEN DIE MITGELIEFERTEN NETZKABEL NICHT PASSEN KONTAKTIEREN SIE BITTE EINEN QUALIFIZIERTEN ELEKTRIKER ODER EIN ELEKTROFACHGESCHÄFT.

Dieser Elliptical Trainer kann durch plötzliche Spannungsschwankungen beschädigt werden. Spannungsschwankungen können durch Unwetter oder das Ein – und Ausschalten anderer Elektrogeräte im selben Haushalt entstehen. Verwenden Sie immer einen Spannungsschutz um die Gefahr der Beschädigung zu verringern. Entsprechende Spannungsschützer können im Fachhandel erworben werden.

Dieser Elliptical Trainer wird mit 2 Netzkabeln für Zentraleuropa und United Kingdom geliefert. Diese Netzkabel verfügen über einen Erdungspol. Bitte wählen Sie das passende Netzkabel und schließen das Gerät an.

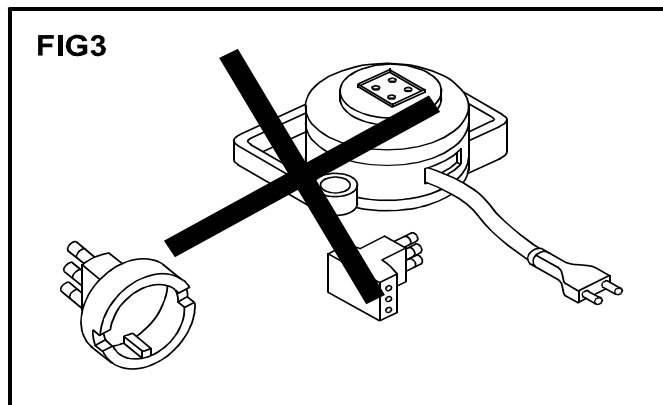
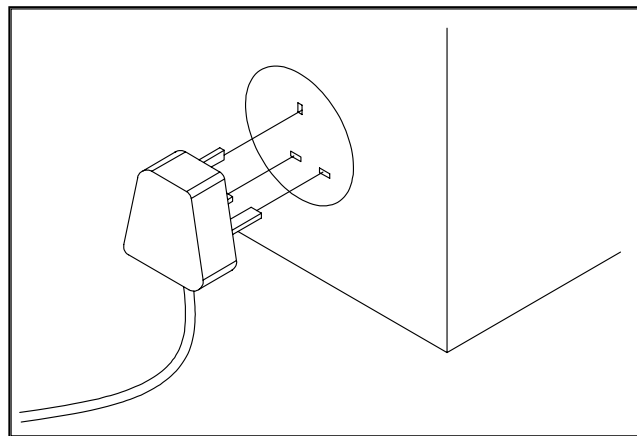
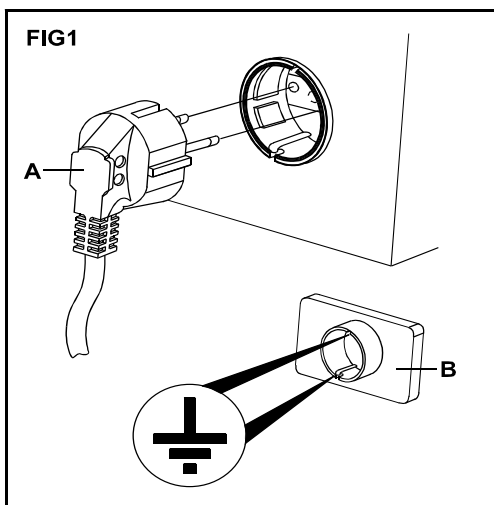
Bevor Sie das Gerät anschließen, vergewissern Sie sich, dass die lokale Spannung mit den Anforderungen des Gerätes übereinstimmen.

Dieses Gerät ist für eine Spannung von $230V \pm 5\%$ ausgelegt.

Verwenden Sie das Gerät nicht mit einem Spannungswandler.

Verwenden Sie das Gerät nicht mit einem Verlängerungskabel, wenn Sie nicht sicher sind ob die Erdung gewährleistet ist.

Abbildung zu den unterschiedlichen Ansteckmöglichkeiten:



VORBEREITUNG

Öffnen Sie die Kartonagen:

Nun können Sie die Kartonagen mit dem neuen Equipment öffnen. Verschaffen Sie sich einen Überblick über alle Teile die Sie in den Kartonagen finden. Vergleichen Sie diese mit der Einzelteil-Übersichtsliste um sicherzustellen, dass alle Teile in richtiger Anzahl vorhanden sind. Falls Sie ein Teil vermissen sollten, oder Fragen zum Aufbau haben, setzen Sie sich bitte mit dem Hersteller in Verbindung.

Legen Sie Werkzeug bereit:

Bevor Sie mit dem Aufbau Ihres Gerätes beginnen, sollten Sie überprüfen, ob Sie alle Werkzeuge, die Sie zum Aufbau benötigen, bereitgelegt haben. Mit der richtigen Vorbereitung und dem richtigen Werkzeug zur Hand, sollte der Aufbau schneller und müheloser von statten gehen.

Räumen Sie sich eine Arbeitsfläche frei:

Stellen Sie sicher, dass Sie genügend Fläche frei geräumt haben, um den Aufbau korrekt durchzuführen. Entfernen Sie alle Gegenstände an denen man sich beim Aufbau verletzen könnte. Achten Sie darauf, dass nach dem Aufbau eine ausreichend große Fläche für den ungestörten Betrieb des Gerätes zur Verfügung steht.

Lassen Sie sich von einem Freund helfen:

Manche der Aufbauschnitte verlangen schweres Heben. Es wird empfohlen, dass Sie sich beim Aufbau dieses Produkts von einer anderen Person unterstützen lassen.

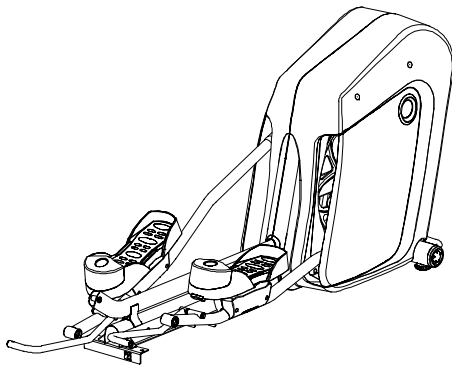
Maximales Benutzergewicht:

Bitte beachten Sie, dass für dieses Produkt eine Gewichtsbeschränkung vorliegt. **Falls Sie mehr als 160 kg (350lbs) wiegen sollten, ist die Verwendung dieses Produktes nicht empfehlenswert. Es können ernsthafte Verletzungen auftreten, wenn das Benutzergewicht die hier angegebene Grenze überschreitet.** Dieses Produkt ist nicht für Menschen ausgelegt, deren Gewicht diese Grenze überschreitet.

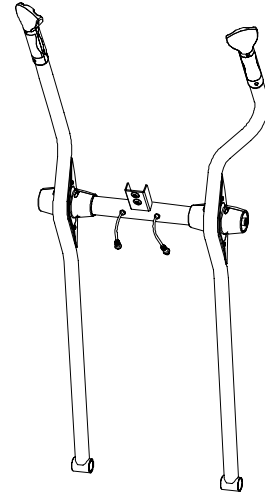
LIEFERUMFANG

Zu Ihrer Unterstützung haben wir hier alle Bauteile aufgeführt, die zum Aufbau dieses Produkts benötigt werden.

KARTON - A



Hauptrahmen

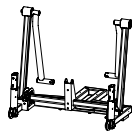


Griffstütze

KARTON - B



Haltegriff



Grundrahmen



Untere Abdeckungen



[719 / 720]



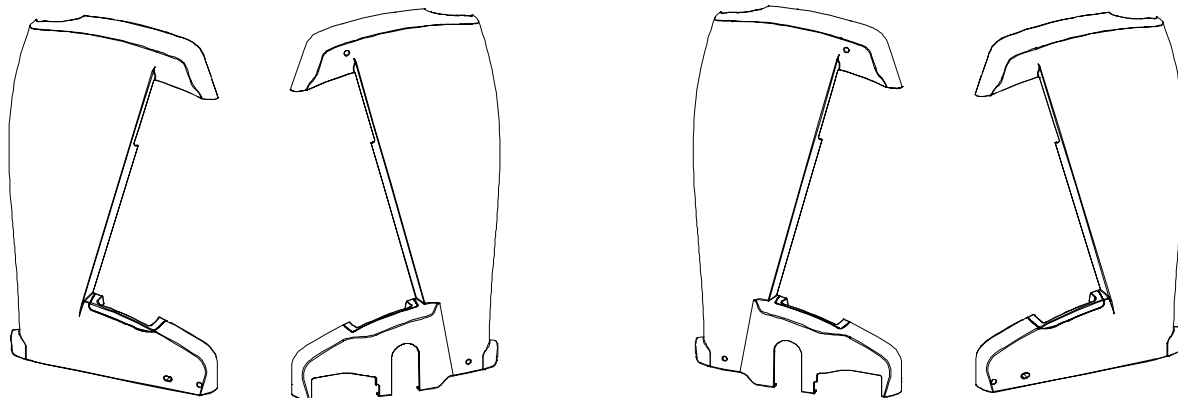
Haltebügel

Ständer links
[110]Ständer-Rechts
[111]

Abdeckkappen

LIEFERUMFANG

Zu Ihrer Unterstützung haben wir hier alle Bauteile aufgeführt, die zum Aufbau dieses Produkts benötigt werden.

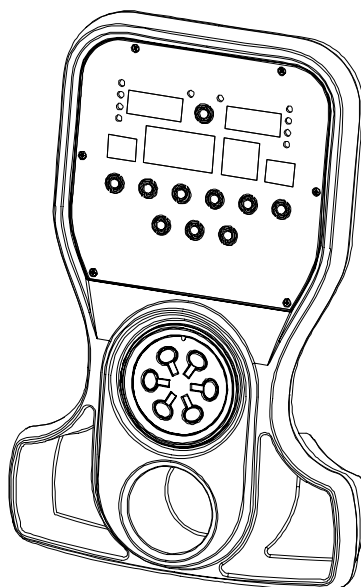
KARTON - C

Verkleidungen LL-LR

[709 / 710]

Verkleidungen RL-RR

[712 / 711]




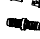
KARTON - D


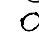
Computer

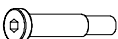













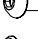




LIEFERUMFANG, EINZELTEILE UND WERKZEUGE

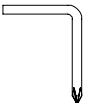








Zu Ihrer Unterstützung haben wir hier alle Einzelteile und Werkzeuge aufgeführt, die zum Aufbau dieses Produkts benötigt werden. Diese Übersicht soll Ihnen dabei helfen, Einzelteile zu identifizieren, die Sie nicht zuordnen können. Der Maßstab unten soll beim messen und vergleichen von Teilen behilflich sein.

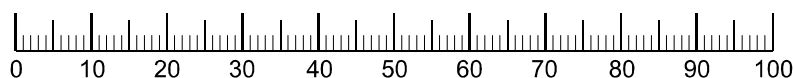
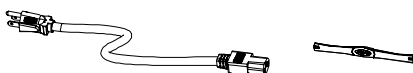
KARTON - E

-  **701 Abdeckung, seitlich oben-links**
-  **702 Abdeckung, seitlich oben-rechts**
-  **703 Hintere Computerabdeckung**
-  **326 Gehäusezapfen 4 Stück**

-  **717 Abdeckkappe 2 Stück**
-  **718 Abdeckkappe 2 Stück**
-  **721 Abdeckung 2 Stück**

| | | | | | | | |
|-----|---|--------------------------------|---------|-----|--|-----------------------------|---------|
| 501 |  | 12 x 62 - M10 x 20 mm Schraube | 2 Stück | 510 |  | 12 x 20 x 2 Unterlegscheibe | 2 Stück |
| 502 |  | 20 x 78 - M14 x 35mm Schraube | 2 Stück | 511 |  | M10 selbsts. Mutter | 1 Stück |
| 503 |  | M5 x 8mm Schraube | 2 Stück | 512 |  | 4 x 12mm Schraube | 1 Stück |
| 504 |  | M8 x 20mm Schraube | 4 Stück | 513 |  | 4 x 19mm Schraube | 6 Stück |
| 505 |  | M8 x 40mm Schraube | 2 Stück | 514 |  | 12 x 18 x 24.5mm Einsatz | 2 Stück |
| 506 |  | M8 x 65mm Schraube | 2 Stück | 515 |  | 12 x 22 x 2 Unterlegscheibe | 2 Stück |
| 507 |  | M10 x 20mm Schraube | 4 Stück | 516 |  | M5 x 6mm Schraube | 2 Stück |
| 508 |  | M10 x 62mm Schraube | 1 Stück | 517 |  | M8 selbsts. Mutter | 4 Stück |
| 509 |  | M6 x 40mm Schraube | 2 Stück | 518 |  | 8x20x1.5mm Unterlegscheibe | 4 Stück |
| | | | | 519 |  | M8x105x20 Schraube | 4 Stück |

| | | | | | | | | |
|---|---|---|---|---|---|---|---|---|
| A | B | C | D | E | F | G | H | I |
| Schraubendreher-L (1 Stück) | 2.5mm Imbus (1 Stück) | 5mm Imbus (1 Stück) | 6mm Imbus (1 Stück) | 8mm Imbus (1 Stück) | 14*17 Schlüssel (1 Stück) | Schraubendreher (1Stück) | 5mm Imbus (1Stück) | Trinkflasche (1 Stück) |
|  |  |  |  |  |  |  |  |  |
| J | | K | | | | | | |
| Stromkabel (1 Stück) | | Brustgurt (1 Stück) | | | | | | |



MILLIMETER

ERSATZTEILLISTE

| Item No. | Description | Qty. | Part No. |
|------------|--------------------------------------|------|-----------|
| 100 | | | |
| 101 | Haltegriff | 1 | AGILE-101 |
| 102 | Querträger | 1 | AGILE-102 |
| 103 | Haltebügel | 1 | AGILE-103 |
| 104 | Grundrahmen | 1 | AGILE-104 |
| 105 | Hauptrahmen | 1 | AGILE-105 |
| 106 | Fußstütze links | 1 | AGILE-106 |
| 107 | Fußstütze rechts | 1 | AGILE-107 |
| 108 | Bewegl. Handgriffstange - links | 1 | AGILE-108 |
| 109 | Bewegl. Handgriffstange - rechts | 1 | AGILE-109 |
| 110 | Ständer - links | 1 | AGILE-110 |
| 111 | Ständer - rechts | 1 | AGILE-111 |
| 112 | Bügel zur Fußstütze - links | 1 | AGILE-112 |
| 113 | Bügel zur Fußstütze - rechts | 1 | AGILE-113 |
| 114 | Rahmen zur Höhenverstellung | 1 | AGILE-114 |
| 115 | Rohr zur Höhenverstellung - vorderes | 1 | AGILE-115 |
| 116 | Rohr zur Höhenverstellung - hinteres | 1 | AGILE-116 |
| 117 | Schelle | 2 | AGILE-117 |
| 118 | Schwungrad | 1 | AGILE-118 |
| 119 | Aufhängung | 1 | AGILE-119 |
| 120 | Schwing-Arm für Fußstütze | 2 | AGILE-120 |
| 121 | Halterung, vordere | 1 | AGILE-121 |
| 122 | Halterung, hintere | 1 | AGILE-122 |
| 200 | | | |
| 201 | Lager 6004 | 4 | AGILE-201 |
| 202 | Lager 6005 | 2 | AGILE-202 |
| 203 | Lager 6300 | 6 | AGILE-203 |
| 204 | Lager 6804 | 4 | AGILE-204 |
| 205 | Lager 2203 | 2 | AGILE-205 |
| 206 | Lager 6205 | 4 | AGILE-206 |
| 207 | Lager 608zz | 8 | AGILE-207 |
| 208 | Kunststofflager 2"x38-20 | 2 | AGILE-208 |
| 209 | Kunststofflager 2"x38-9 | 2 | AGILE-209 |
| 210 | Elektromagnetisches System | 1 | AGILE-210 |
| 211 | Lager, gefettet | 2 | AGILE-211 |
| 212 | Abdeckung - obere | 2 | AGILE-212 |
| 213 | Abdeckung - untere | 2 | AGILE-213 |

ERSATZTEILLISTE

| Nr. | Beschreibung | Anz. | Best. NR |
|------------|------------------------------------|------|-----------|
| 214 | Riemen | 1 | AGILE-214 |
| 215 | Aluminium-Scheibe | 1 | AGILE-215 |
| 216 | Kurbel 25x186.7 | 1 | AGILE-216 |
| 217 | Kurbel 25x186.7 | 1 | AGILE-217 |
| 218 | Achse | 1 | AGILE-218 |
| 219 | Rad | 2 | AGILE-219 |
| 220 | Dämpfungsset Fußraster | 2 | AGILE-220 |
| 221 | Höhenausgleichsrad | 2 | AGILE-221 |
| 222 | Riemenscheibe | 1 | AGILE-222 |
| 224 | Endkappe Haltegriff | 2 | AGILE-224 |
| 225 | Handpulssensor | 2 | AGILE-225 |
| 226 | Abdeckung, oval | 2 | AGILE-226 |
| 227 | Handpulssensorabdeckung, hintere | 2 | AGILE-227 |
| 228 | Schaumstoffüberzug | 2 | AGILE-228 |
| 229 | Fixierung EMS | 1 | AGILE-229 |
| 230 | Schwungradfixierung | 1 | AGILE-230 |
| 231 | Sensorfixierung | 1 | AGILE-231 |
| 232 | Platte für Dämpfungsset Fußraster | 2 | AGILE-232 |
| 233 | Fixierung Dämpfungsset Fußraster | 2 | AGILE-233 |
| 234 | Abdeckung, oval | 1 | AGILE-234 |
| 235 | Ein-/Ausschaltrahmen | 1 | AGILE-235 |
| 238 | Lager 2201 | 2 | AGILE-238 |
| 239 | 5/16" Kabelbinder | 1 | AGILE-239 |
| 240 | 1/8" Kabelbinder | 1 | AGILE-240 |
| 241 | 3/8" Kabelbinder | 4 | AGILE-241 |
| 242 | Lager für Rad | 4 | AGILE-242 |
| 243 | Lager 6000 | 3 | AGILE-243 |
| 244 | Clip | 1 | AGILE-244 |
| 249 | 3/16" Kabelbinder | 1 | AGILE-249 |
| 250 | 1/4" Kabelbinder | 9 | AGILE-250 |
| 251 | Ring für Handgriff | 2 | AGILE-251 |
| 252 | Unterstützung für Lager | 1 | AGILE-252 |
| 253 | Distanzhülse | 1 | AGILE-253 |
| 300 | | | |
| 302 | Hintere Abdeckung - links | 1 | AGILE-302 |
| 303 | Hintere Abdeckung - rechts | 1 | AGILE-303 |
| 304 | Einsatz hintere Abdeckung - links | 1 | AGILE-304 |
| 305 | Einsatz hintere Abdeckung - rechts | 1 | AGILE-305 |

ERSATZTEILLISTE

| Nr. | Beschreibung | Anz. | Best. NR |
|------------|--|-------------|-----------------|
| 306 | Einsatz für Ein-/Ausschalter | 1 | AGILE-306 |
| 307 | Pedal | 2 | AGILE-307 |
| 308 | Vorderer Einsatz Pedal | 2 | AGILE-308 |
| 309 | Dämpfungseinlage Pedal | 2 | AGILE-309 |
| 310 | Pedalabdeckung - links | 2 | AGILE-310 |
| 311 | Pedalabdeckung - rechts | 2 | AGILE-311 |
| 312 | Computergehäuse - oberes | 1 | AGILE-312 |
| 313 | Computergehäuse - untere | 1 | AGILE-313 |
| 314 | Obere Computerabdeckung | 1 | AGILE-314 |
| 315 | Gummi-Streifen - 4 | 4 | AGILE-315 |
| 316 | Gummi-Streifen - 3 | 4 | AGILE-316 |
| 317 | Gummi-Streifen - 2 | 4 | AGILE-317 |
| 318 | Abdeckung - 1 | 2 | AGILE-318 |
| 319 | Abdeckung - 2 | 2 | AGILE-319 |
| 320 | Gummi-Streifen - 1 | 4 | AGILE-320 |
| 321 | Einsatz | 2 | AGILE-321 |
| 322 | Rohrfixierung | 1 | AGILE-322 |
| 323 | Kunststoffeinsatz für Bef. Neigungsverstellung | 4 | AGILE-323 |
| 324 | Abdeckung für Controller | 1 | AGILE-324 |
| 325 | Abdeckkappe | 2 | AGILE-325 |
| 326 | Gehäusezapfen | 35 | AGILE-326 |
| 327 | Aufsatz | 1 | AGILE-327 |
| 328 | Dämpfer | 2 | AGILE-328 |
| 329 | Dämpfer | 2 | AGILE-329 |
| 330 | Gummieinsatz – Vorne | 2 | AGILE-330 |
| 331 | Gummieinsatz – Hinten | 2 | AGILE-331 |
| 332 | Gehäusezapfen zur Fixierung | 22 | AGILE-332 |
| 333 | Gehäusezapfen zur Fixierung | 7 | AGILE-333 |
| 336 | Abdeckung, vordere | 4 | AGILE-336 |
| 337 | Abdeckung, hintere | 2 | AGILE-337 |
| 338 | Abdeckung Haltebügel - links | 2 | AGILE-338 |
| 339 | Abdeckung Haltebügel - rechts | 2 | AGILE-339 |
| 340 | Taste | 1 | AGILE-340 |
| 341 | Gehäusezapfen zur Fixierung | 3 | AGILE-341 |

ERSATZTEILLISTE

| Nr. | Beschreibung | Anz. | Best. NR |
|------------|------------------------------------|------|-----------|
| 400 | | | |
| 402 | 25 x 10 x 55 - M10 x 15mm Schraube | 2 | AGILE-402 |
| 403 | M5 x 8mm Schraube | 7 | AGILE-403 |
| 404 | M6 x 12mm Schraube | 11 | AGILE-404 |
| 405 | M8 x 15mm Schraube | 23 | AGILE-405 |
| 406 | M8 x 25mm Schraube | 2 | AGILE-406 |
| 407 | M10 x 20mm Schraube | 4 | AGILE-407 |
| 408 | M10 x 40mm Schraube | 1 | AGILE-408 |
| 409 | M4 X 40mm Schraube | 1 | AGILE-409 |
| 410 | M8 x 50mm Schraube | 2 | AGILE-410 |
| 411 | M10 x 40mm Schraube | 2 | AGILE-411 |
| 412 | M12 x 70mm Schraube | 2 | AGILE-412 |
| 414 | M8 x 20mm Schraube | 6 | AGILE-414 |
| 415 | M3 x 8mm Schraube | 2 | AGILE-415 |
| 416 | M8 x 65mm Schraube | 2 | AGILE-416 |
| 417 | M6 x 12mm Schraube | 2 | AGILE-417 |
| 418 | M8 x 16mm Schraube | 4 | AGILE-418 |
| 419 | M8 x 90mm Schraube | 4 | AGILE-419 |
| 421 | M8 selbsts. Mutter | 8 | AGILE-421 |
| 422 | M10 selbsts. Mutter | 3 | AGILE-422 |
| 423 | M14 selbsts. Mutter | 3 | AGILE-423 |
| 424 | M8 Mutter | 2 | AGILE-424 |
| 425 | M6 x 15mm Schraube | 2 | AGILE-425 |
| 426 | 3/4" x 16 Mutter | 2 | AGILE-426 |
| 427 | Achse für Schwungrad | 1 | AGILE-427 |
| 428 | 10 x 36mm Achse | 2 | AGILE-428 |
| 429 | 12 x 210 - M14 x 70mm Achse | 1 | AGILE-429 |
| 430 | Distanzhülse 12 x 60 | 4 | AGILE-430 |
| 431 | M4 x 15mm Schraube | 2 | AGILE-431 |
| 432 | 4 x 12mm Schraube | 8 | AGILE-432 |
| 433 | Achse für Handgriffe | 1 | AGILE-433 |
| 434 | Achse | 2 | AGILE-434 |

ERSATZTEILLISTE

| Nr. | Beschreibung | Anz. | Best. NR. |
|------------|--------------------------------|------|-----------|
| 435 | Distanzhülse | 2 | AGILE-435 |
| 436 | M10 Sprengring | 6 | AGILE-436 |
| 437 | M12 Sprengring | 2 | AGILE-437 |
| 438 | M42 Sprengring | 2 | AGILE-438 |
| 439 | 10 x 18 x T1.0 Unterlegscheibe | 2 | AGILE-439 |
| 440 | 15 x 8 x T2.0 Unterlegscheibe | 11 | AGILE-440 |
| 441 | 10 x 16 x T2.0 Unterlegscheibe | 7 | AGILE-441 |
| 442 | 20 x 6 x T2.0 Unterlegscheibe | 3 | AGILE-442 |
| 443 | 32 x 6 x T2.0 Unterlegscheibe | 1 | AGILE-443 |
| 444 | 35 x 14 x T2.0 Unterlegscheibe | 2 | AGILE-444 |
| 445 | 10 x 18 x T5.1 Unterlegscheibe | 4 | AGILE-445 |
| 446 | M3 x 16mm Schraube | 2 | AGILE-446 |
| 447 | M3 x 10mm Schraube | 18 | AGILE-447 |
| 448 | 4 x 12mm Schraube | 47 | AGILE-448 |
| 449 | M2 x 6mm Schraub | 8 | AGILE-449 |
| 450 | 4 x 12mm Schraube | 23 | AGILE-450 |
| 451 | M32 C Sprengring | 2 | AGILE-451 |
| 452 | M4 x 45mm Schraube | 2 | AGILE-452 |
| 453 | M4 x 8mm Schraube | 4 | AGILE-453 |
| 454 | 7 x 12 - M5 x 5mm Mutter | 4 | AGILE-454 |
| 456 | 10 x 23 x T2.0 Unterlegscheibe | 4 | AGILE-456 |
| 457 | 6 x 10 x 1 Sprengring | 2 | AGILE-457 |
| 458 | 28.6 x 35.5 Kunststofflager | 2 | AGILE-458 |
| 459 | 12 x 20 x 0.5 Unterlegscheibe | 2 | AGILE-459 |
| 460 | 12 x 20 x 2 PU Unterlegscheibe | 2 | AGILE-460 |
| 461 | 4 x 12mm Blechschraube | 6 | AGILE-461 |
| 462 | M8 x 16mm Schraube | 8 | AGILE-462 |
| 463 | 4 x 12mm Konusschraube | 4 | AGILE-463 |
| 464 | 4 x 30mm Schraube | 2 | AGILE-464 |
| 465 | M4 Mutter | 2 | AGILE-465 |
| 500 | | | |
| 501 | 12 x 62 - M10 x 20mm Schraube | 2 | AGILE-501 |
| 502 | 20 x 78 - M14 x 35mm Schraube | 2 | AGILE-502 |
| 503 | M5 x 8mm Schraube | 2 | AGILE-503 |
| 504 | M8 x 20mm Schraube | 8 | AGILE-504 |
| 505 | M8 x 40mm Schraube | 2 | AGILE-505 |
| 506 | M8 x 65mm Schraube | 2 | AGILE-506 |
| 507 | M10 x 20mm Schraube | 4 | AGILE-507 |
| 508 | M10 x 62mm Schraube | 1 | AGILE-508 |
| 509 | M6 x 40mm Schraube | 2 | AGILE-509 |

ERSATZTEILLISTE

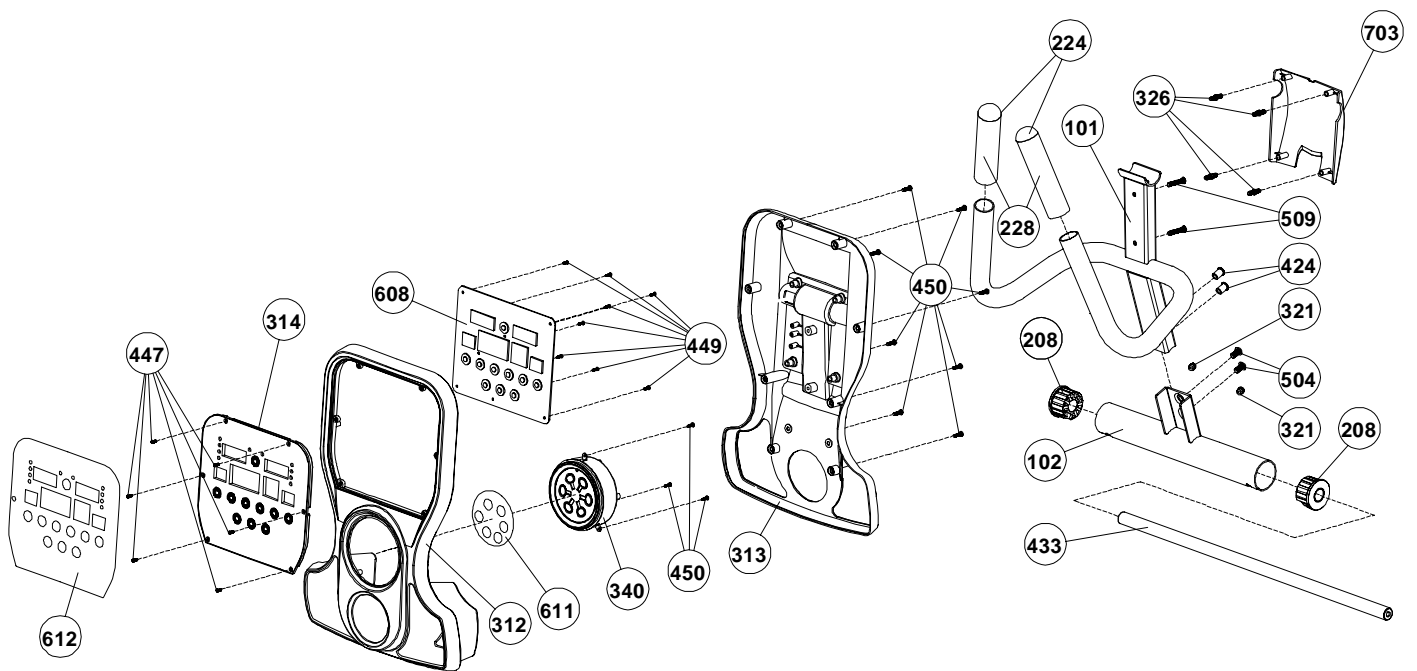
| Nr. | Beschreibung | Anz. | Best. NR. |
|------------|---|------|-----------|
| 510 | 12 x 20 x 2 Unterlegscheibe | 2 | AGILE-510 |
| 511 | M10 selbsts. Mutter | 1 | AGILE-511 |
| 512 | 4 x 12mm Schraube | 10 | AGILE-512 |
| 513 | 4 x 19mm Schraube | 6 | AGILE-513 |
| 514 | 12 x 18 x 24.5mm Einsatz | 2 | AGILE-514 |
| 515 | 12 x 22 x 2 Unterlegscheibe | 2 | AGILE-515 |
| 516 | M5 x 6mm Schraube | 2 | AGILE-516 |
| 517 | M8 selbsts. Mutter | 4 | AGILE-517 |
| 518 | 8 x 20 x 1.5mm Unterlegscheibe | 4 | AGILE-518 |
| 519 | M8 x 105 x 20mm Schraube | 4 | AGILE-519 |
| 600 | | | |
| 601 | Geschwindigkeitssensor | 1 | AGILE-601 |
| 602 | Magnet | 1 | AGILE-602 |
| 603 | Ein-/Ausschalter | 1 | AGILE-603 |
| 604 | Sicherung | 1 | AGILE-604 |
| 605 | Stromanschluss | 1 | AGILE-605 |
| 606 | Empfänger | 1 | AGILE-606 |
| 607 | Transformator | 1 | AGILE-607 |
| 608 | Computerplatine | 1 | AGILE-608 |
| 609 | Motor zur Neigungsverstellung | 1 | AGILE-609 |
| 610 | Controller | 1 | AGILE-610 |
| 611 | Aufkleber | 1 | AGILE-611 |
| 612 | Computeraufkleber | 1 | AGILE-612 |
| 613 | Elektromagnetisches Kabel | 1 | AGILE-613 |
| 614 | Verbindungskabel zu Ein-/Ausschalter etc. | 3 | AGILE-614 |
| 615 | 8Pin Computerkabel, - oberes 1 - 200mm | 1 | AGILE-615 |
| 616 | 8Pin Computerkabel, - oberes 2 - 1000mm | 1 | AGILE-616 |
| 617 | 8Pin Computerkabel, - mittleres - 900mm | 1 | AGILE-617 |
| 618 | 8Pin Computerkabel, - unteres 1 - 800mm | 1 | AGILE-618 |
| 619 | 8Pin Computerkabel, - unteres 2 - 2700mm | 1 | AGILE-619 |
| 620 | 3C Stromkabel 1000mm | 1 | AGILE-620 |
| 621 | Handpuls-kabel, oberes 350mm | 2 | AGILE-621 |
| 622 | Handpuls-kabel, mittleres 620mm | 2 | AGILE-622 |
| 623 | Handpuls-kabel, unteres 650mm | 2 | AGILE-623 |
| 624 | Empfänger-kabel 350mm | 1 | AGILE-624 |
| 626 | Controller Verbindungskabel 250mm | 1 | AGILE-626 |

ERSATZTEILLISTE

| Nr. | Beschreibung | Anz. | Best. NR. |
|------------|-----------------------------------|-------------|------------------|
| 700 | | | |
| 701 | Abdeckung, seitlich oben - links | 1 | AGILE-701 |
| 702 | Abdeckung, seitlich oben - rechts | 1 | AGILE-702 |
| 703 | Hintere Computerabdeckung | 1 | AGILE-703 |
| 704 | Verkleidung innen -LL | 1 | AGILE-704 |
| 705 | Verkleidung innen -LR | 1 | AGILE-705 |
| 706 | Verkleidung innen -RR | 1 | AGILE-706 |
| 707 | Verkleidung innen -RL | 1 | AGILE-707 |
| 708 | Einsatz | 2 | AGILE-708 |
| 709 | Verkleidung außen -LL | 1 | AGILE-709 |
| 710 | Verkleidung außen -LR | 1 | AGILE-710 |
| 711 | Verkleidung außen -RR | 1 | AGILE-711 |
| 712 | Verkleidung außen -RL | 1 | AGILE-712 |
| 713 | Einsatz-LL | 1 | AGILE-713 |
| 714 | Einsatz-LR | 1 | AGILE-714 |
| 715 | Einsatz-RR | 1 | AGILE-715 |
| 716 | Einsatz-RL | 1 | AGILE-716 |
| 717 | Abdeckkappe | 2 | AGILE-717 |
| 718 | Abdeckkappe | 2 | AGILE-718 |
| 719 | Untere Abdeckung - links | 1 | AGILE-719 |
| 720 | Untere Abdeckung - rechts | 1 | AGILE-720 |
| 721 | Abdeckung | 4 | AGILE-721 |
| | | | |
| A | Schraubendreher-L | 1 | AGILE-A |
| B | 2.5mm Imbus | 1 | AGILE-B |
| C | 5mm Imbus | 1 | AGILE-C |
| D | 6mm Imbus | 1 | AGILE-D |
| E | 8mm Imbus | 1 | AGILE-E |
| F | 14 x 17 Schlüssel | 1 | AGILE-F |
| G | Schraubendreher | 1 | AGILE-G |
| H | 5mm Imbus | 1 | AGILE-H |
| I | Trinkflasche | 1 | AGILE-I |
| J | Stromkabel | 1 | AGILE-J |
| K | Brustgurt | 1 | AGILE-K |

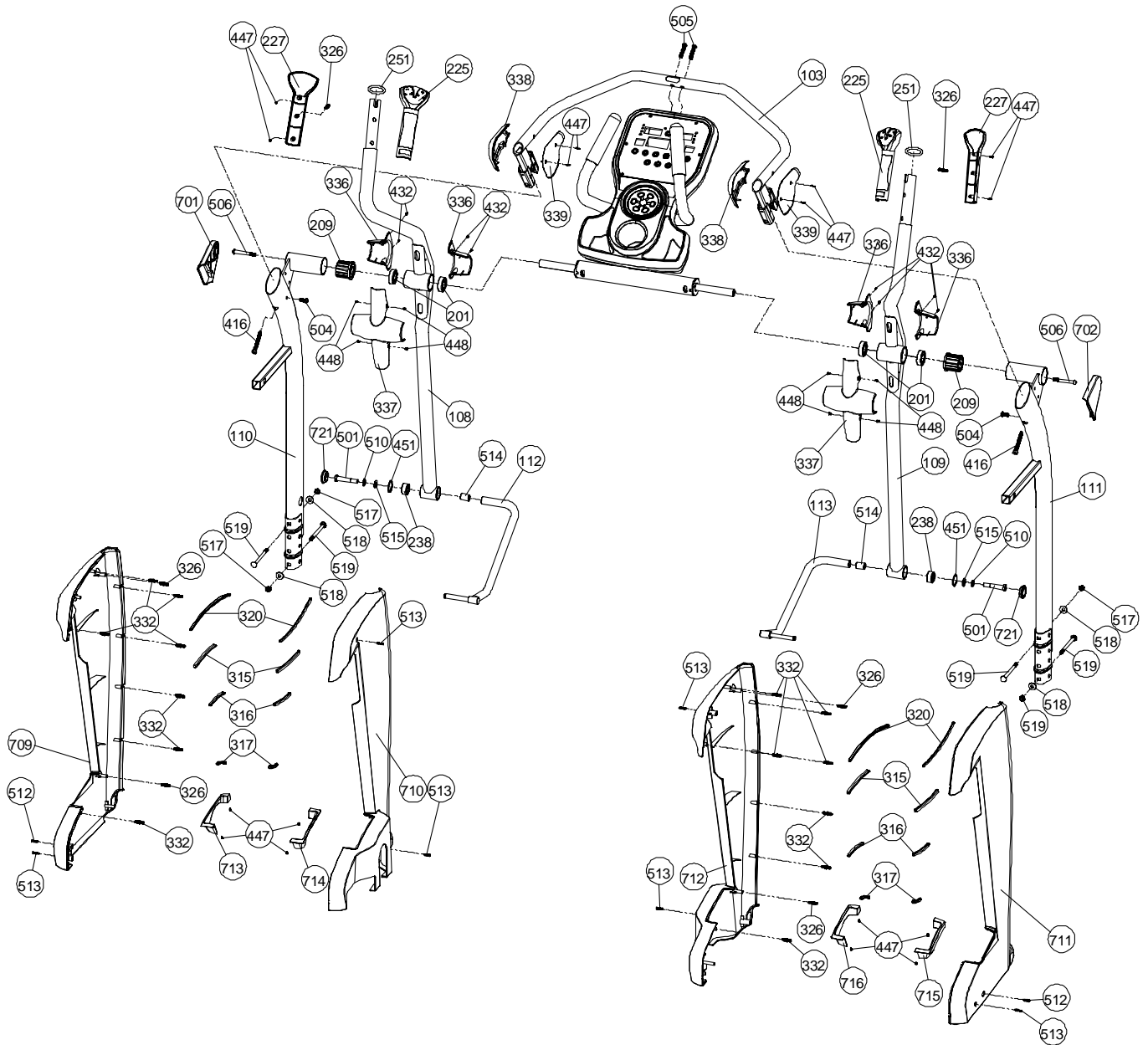
EXPLOSIONSZEICHNUNG

Ein Großteil der hier abgebildeten Teile ist vom Werk aus vormontiert..



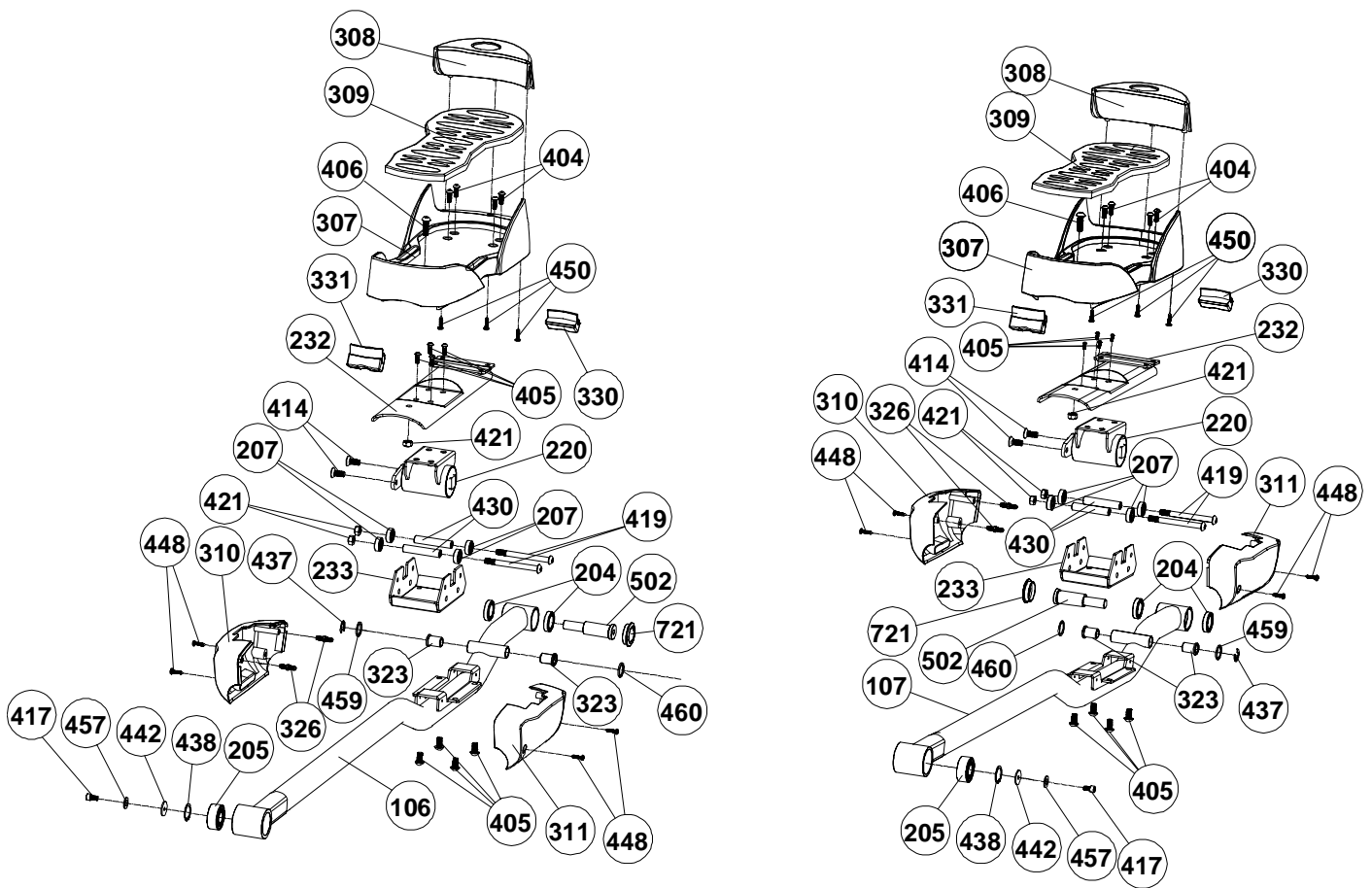
EXPLOSIONSZEICHNUNG

Ein Großteil der hier abgebildeten Teile ist vom Werk aus vormontiert..



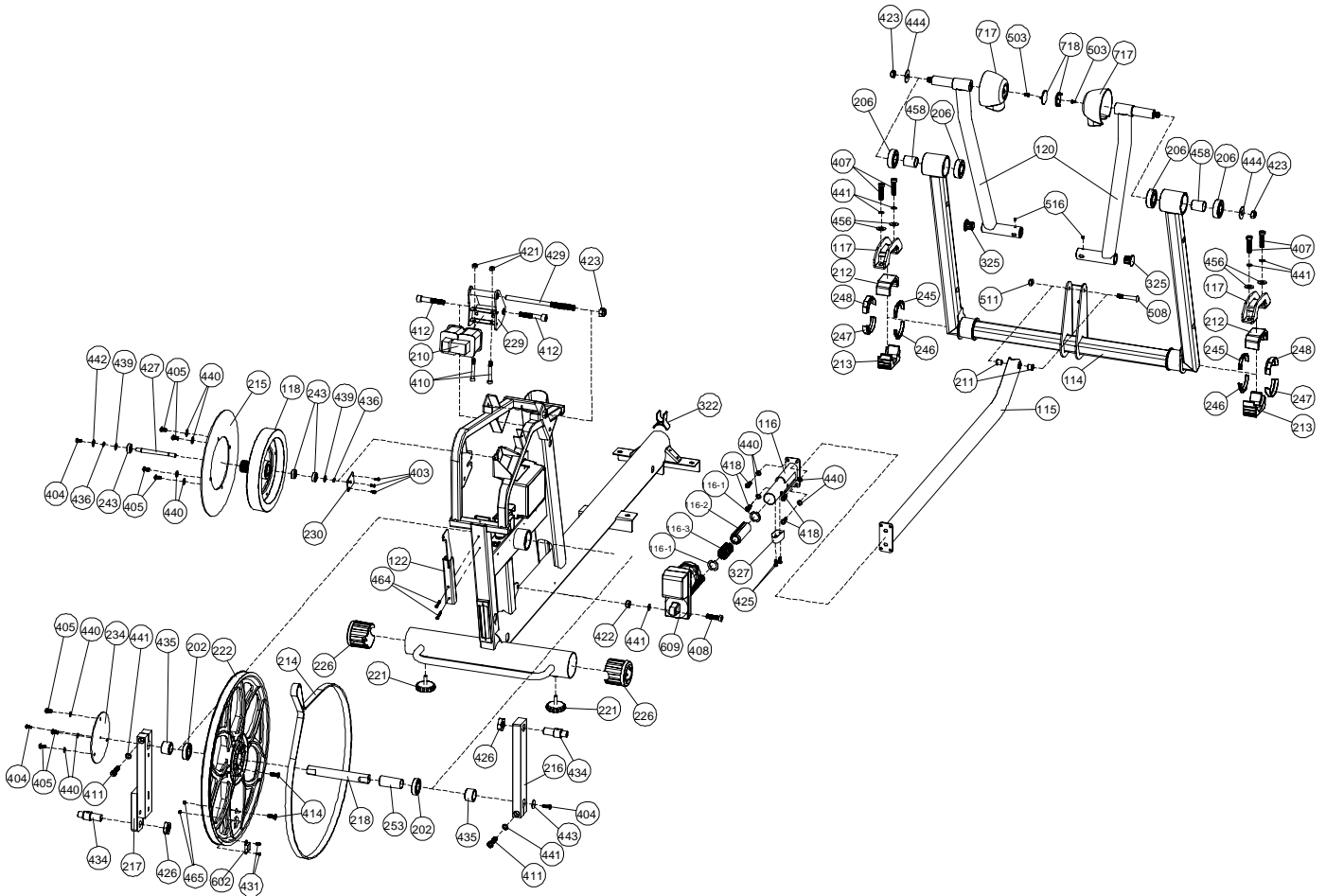
EXPLOSIONSZEICHNUNG

Ein Großteil der hier abgebildeten Teile ist vom Werk aus vormontiert..



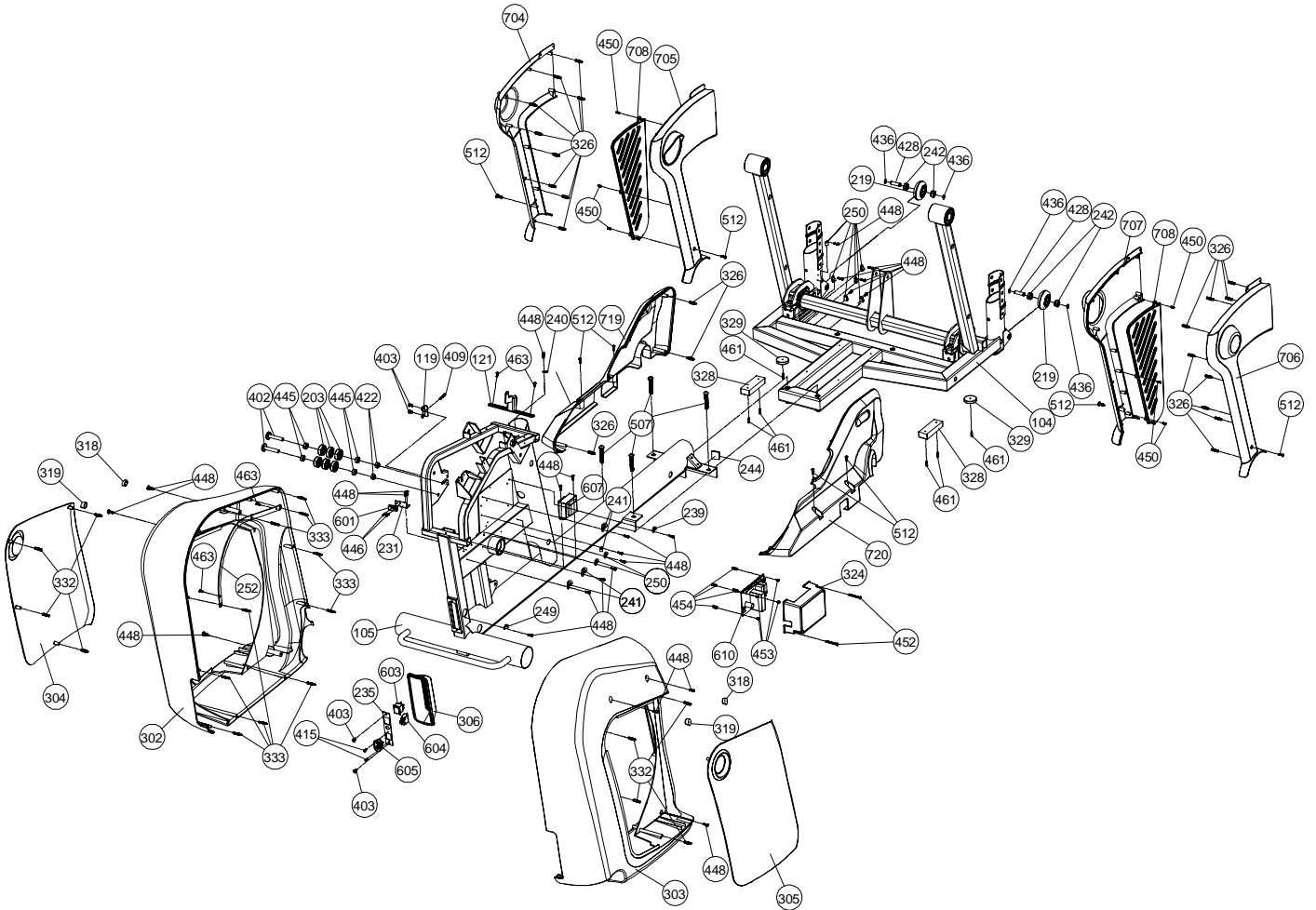
EXPLOSIONSZEICHNUNG

Ein Großteil der hier abgebildeten Teile ist vom Werk aus vormontiert..



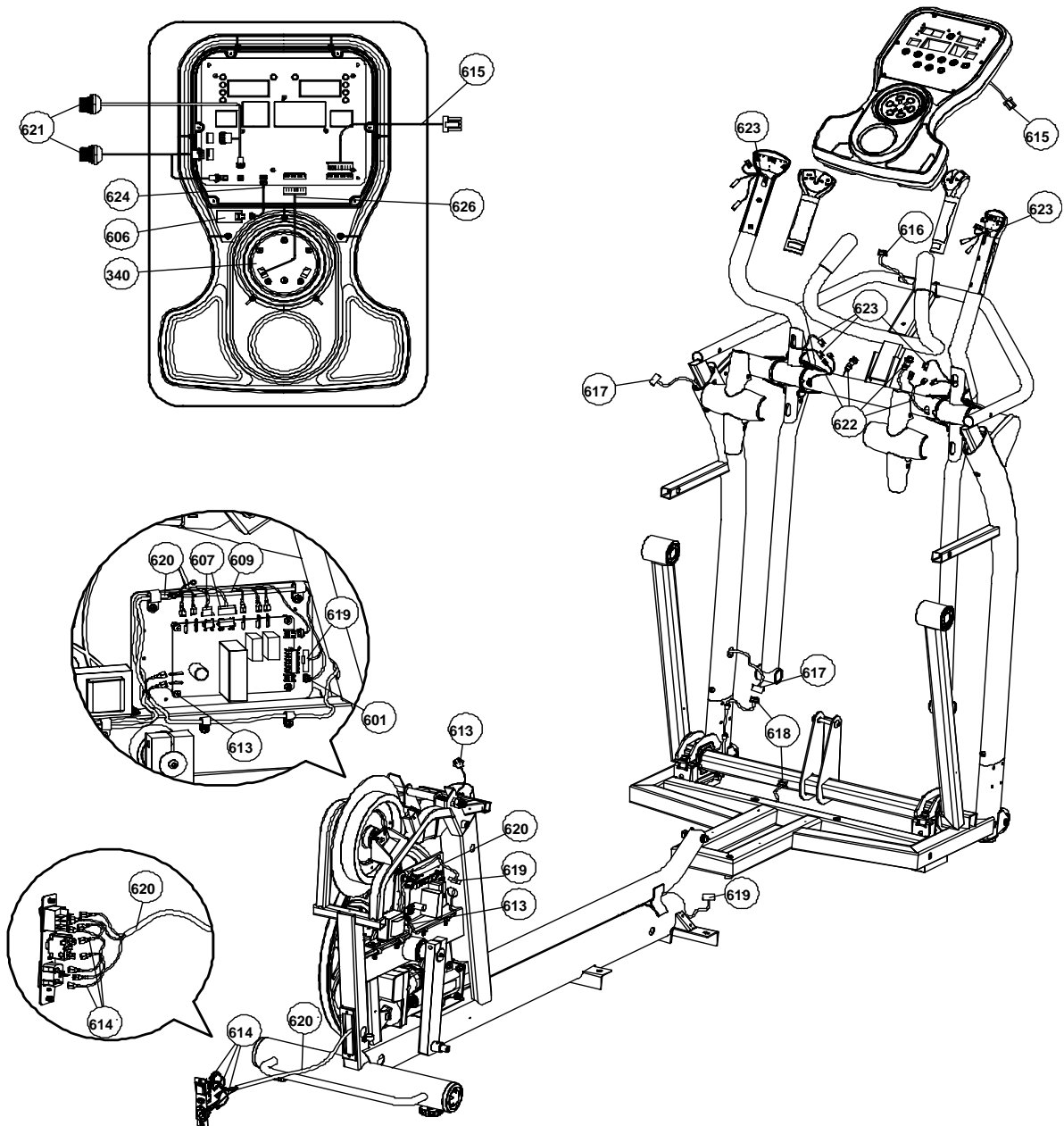
EXPLOSIONSZEICHNUNG

Ein Großteil der hier abgebildeten Teile ist vom Werk aus vormontiert..



EXPLOSIONSZEICHNUNG

Ein Großteil der hier abgebildeten Teile ist vom Werk aus vormontiert..



AUFBAU

(SCHRITT 1: Verbinden von Hauptrahmen und Grundrahmen

(A) Drehen Sie den Rahmen zur Höhenverstellung (114) senkrecht.

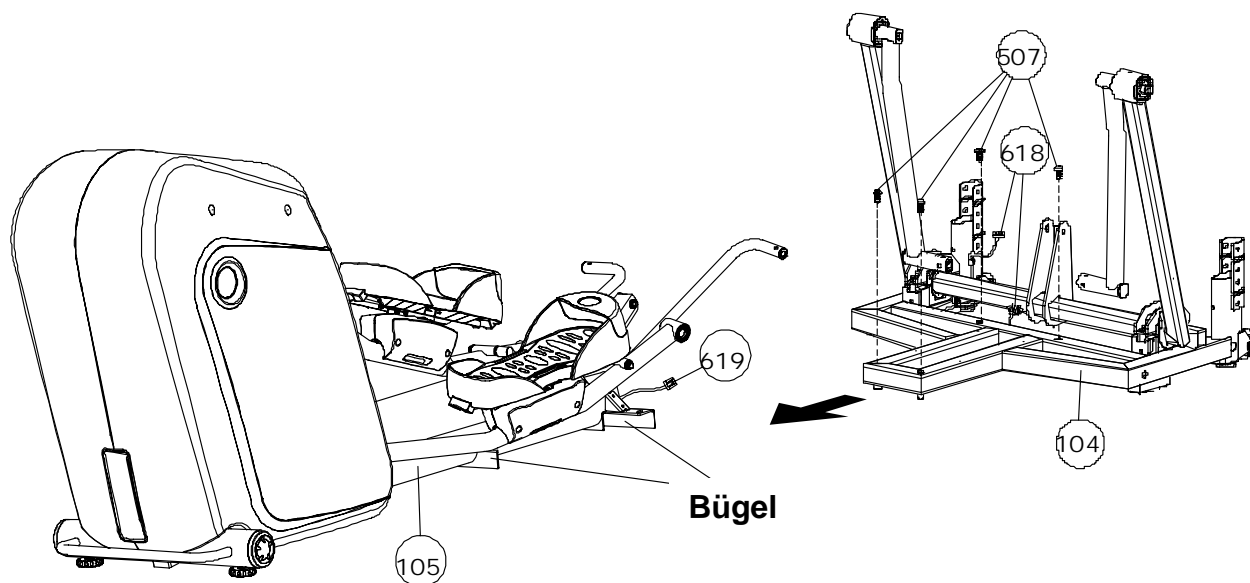
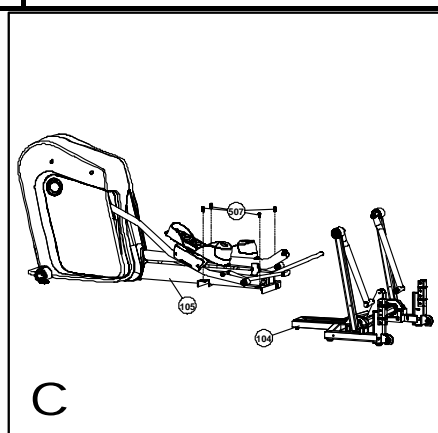
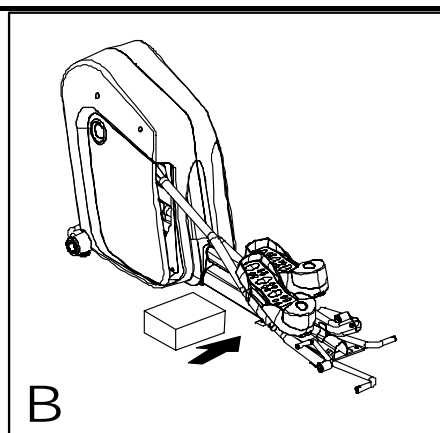
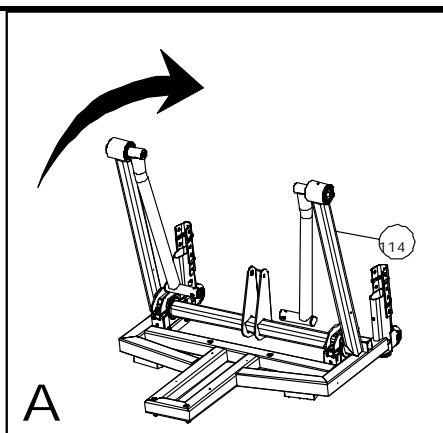
(B) Schieben Sie einen Karton unter den Hauptrahmen um Freiraum für das Montieren des Grundrahmens (104) zu schaffen.

(C) Positionieren Sie den Grundrahmen (104) unter den Bügel des Hauptrahmens (105) und justieren Sie die 4 Schraublöcher.

(D) Entfernen Sie den Karton und senken Sie den Hauptrahmen (105) auf den Grundrahmen (104). Der Bügel sollte fest auf dem Grundrahmen (104) aufliegen. Befestigen Sie alles mit vier M10 x 20mm Schrauben (507).

507

X4



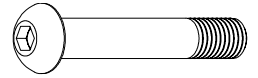
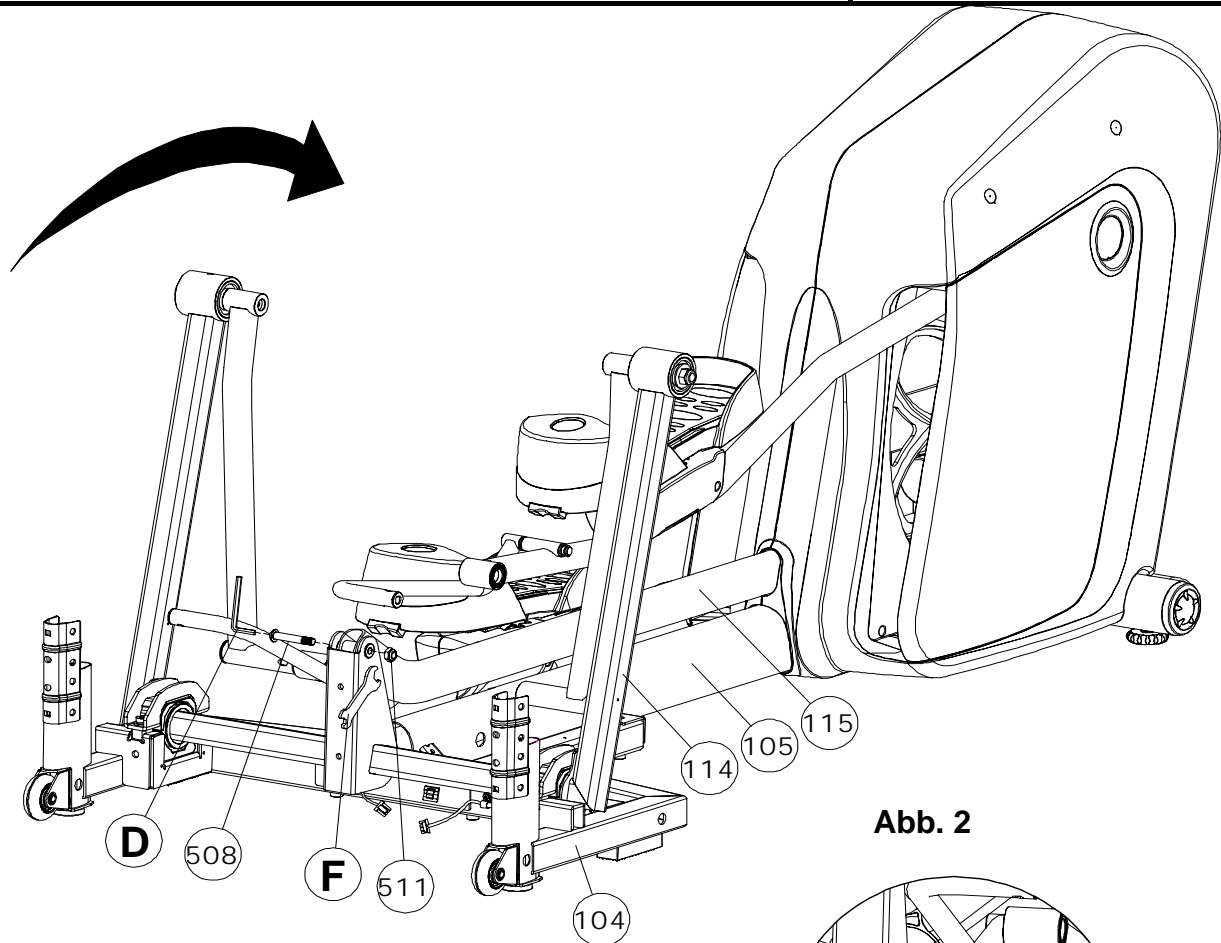
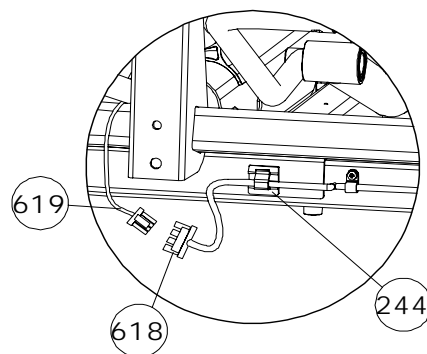
AUFBAU**SCHRITT 2 Montieren des Rohrs der Höhenverstellung**

(A) Entfernen Sie die Rohrfixierung (322) und entsorgen Sie diese.

(B) Drehen Sie den Rahmen der Höhenverstellung (114) um die Schraublöcher mit denen am Rohr zur Höhenverstellung, vorderes (115) abzugleichen.

(C) Montieren Sie das Rohr zur Höhenverstellung, vorderes (115) am Grundrahmen (104) mit einer M10 x 62mm Schraube (508) und einer M10 Mutter selbst sichernd (511) verwenden Sie den 6mm Imbus (D) und Schlüssel (F).

(D) Verbinden Sie das 8Pin Computerkabel, (618) mit dem 8Pin Computerkabel, unteres (619), und fixieren Sie diese mit dem Clip (244).

508 X1**511 X1****Abb. 2**

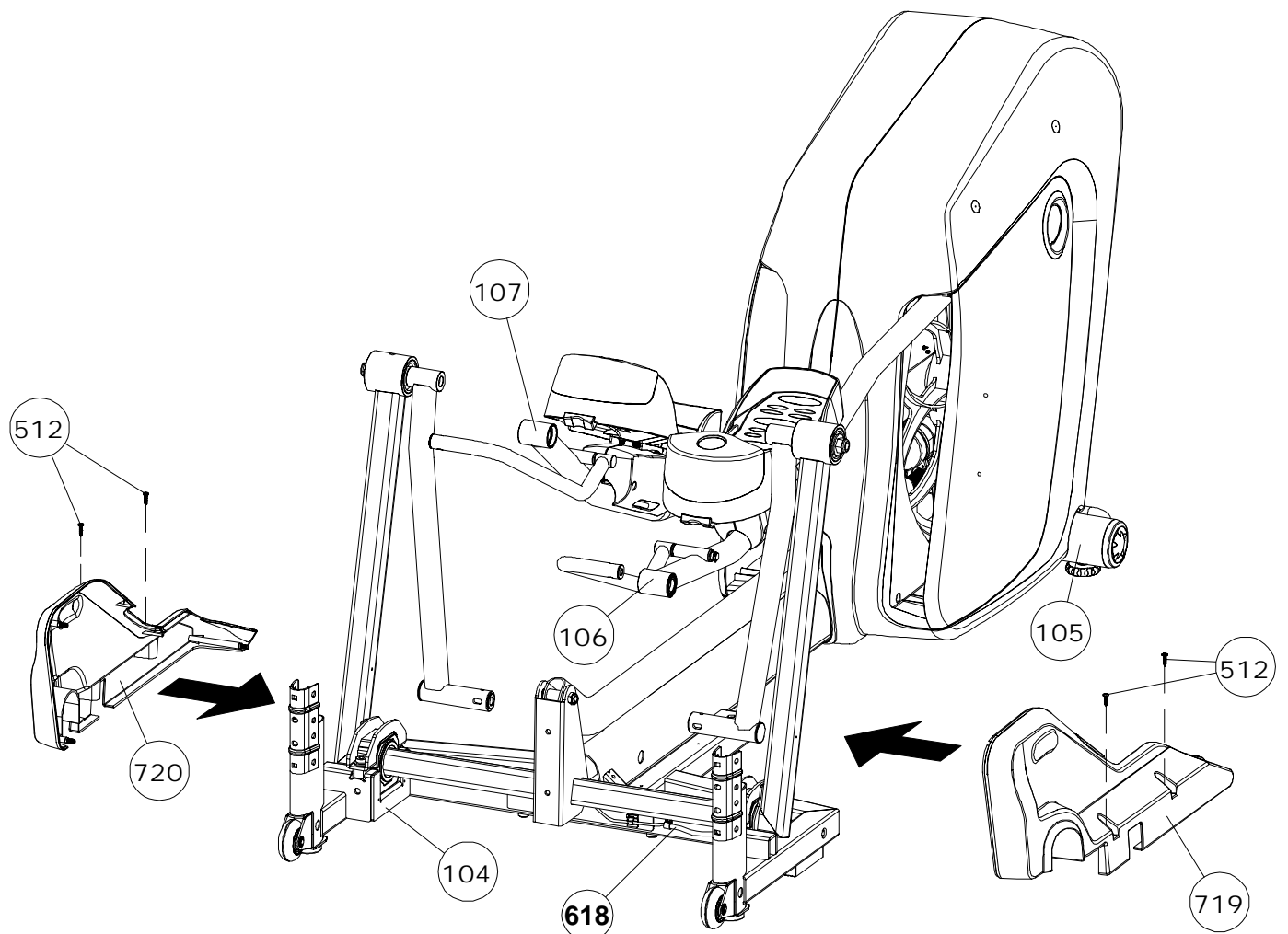
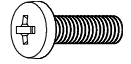
AUFBAU**SCHRITT 3 : Montieren der unteren Abdeckung**

BEACHTEN : DIE UNTERE ABDECKUNG-LINKS (719) PASST ÜBER DAS 8PIN COMPUTERKABEL; UNTERES (618). VORSICHT BITTE DIE KABEL BEIM MONTIEREN DER UNTEREN ABDECKUNG LINKS (719) NICHT TRENNEN

(A) Heben Sie die Fußstütze und montieren Sie die untere Abdeckung, links (719) am Grundrahmen (104), befestigen Sie diese mit vier 4 x 12 Schrauben (512).

(B) Wiederholen Sie den Vorgang auf der rechten Seite.

512 X4



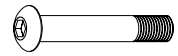
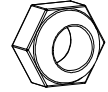
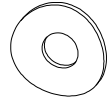
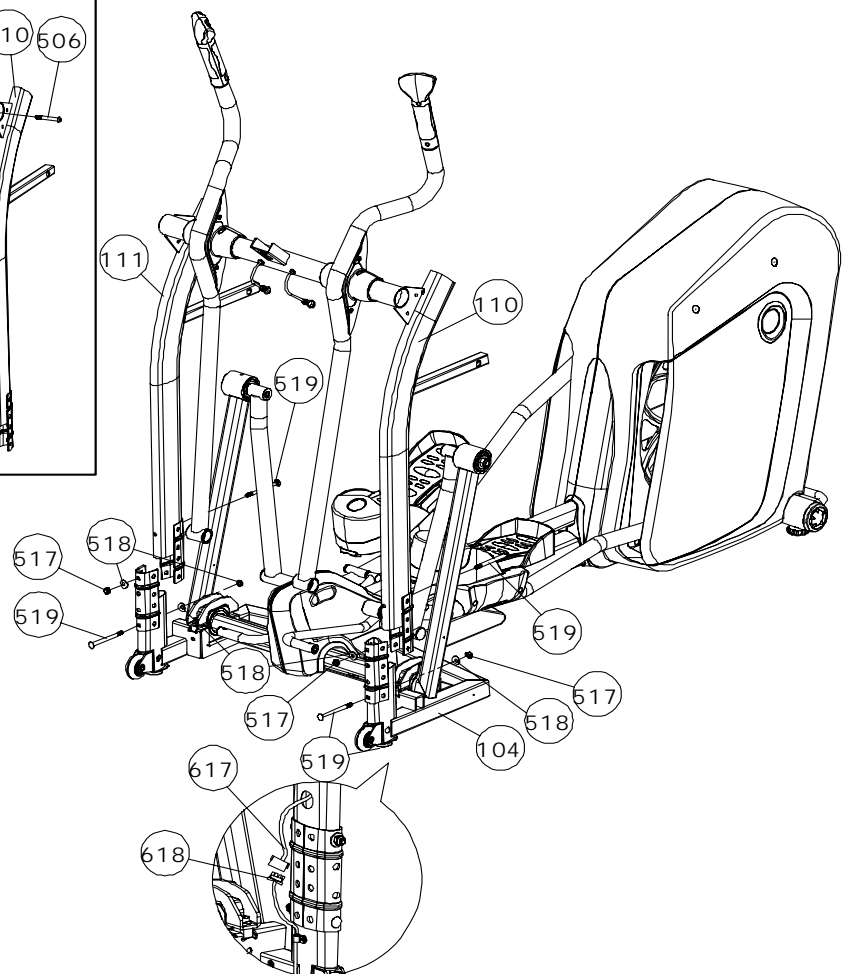
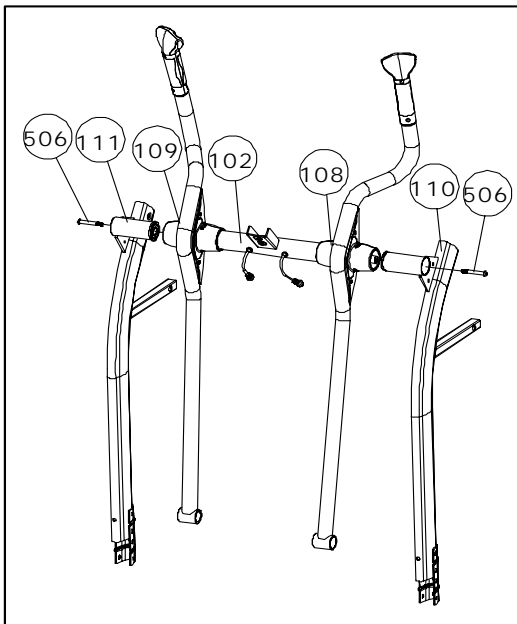
AUFBAU**STEP 4: Assemble the Upright**

A) Montieren Sie den Ständer links (110) und Ständer, rechts (111) am Querträger und befestigen Sie diese mit zwei M8 x 56mm Schrauben (506). **Ziehen Sie die M8 x 56mm Schrauben bis zum Schritt C nicht komplett fest.**

(B) Stecken Sie den Ständer auf den Grundrahmen (104) und befestigen Sie diesen mit vier M8 x 105 x 20mm Schrauben (519), vier M8 x 20 x 1.5mm Unterlegscheiben (518) und vier M 8 selbsts. Muttern (517).

(C) Ziehen Sie die M8 x 56mm Schrauben (506) fest

(D) Verbinden Sie das 8Pin Computerkabel unteres(618) mit dem 8 pin Computerkabel mittleres (617). (

506 X2**517 X4****518 X4****519 X4**

AUFBAU

SCHRITT 5: Montieren der Verkleidung der beweglichen Handgriffe

(A) Schieben Sie das freie Ende des Schwing-Arms der Fußstütze (120) durch das Loch in der Verkleidung, innen RL (707) und bringen diesen in die endgültige Position. Siehe Abb. in SCHRITT 1, SCHRITT 2 und SCHRITT 3.

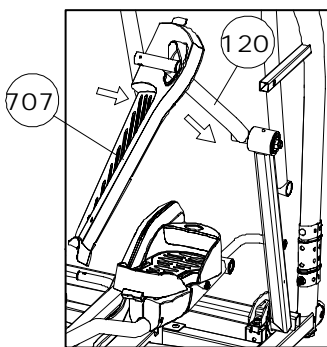
(B) Montieren Sie die Verkleidung innen-RR (706) und die Verkleidung innen RL (707) durch die Presspassung und befestigen Sie diese am Rahmen mit zwei 4 x 12mm Schrauben (512).

(C) Wiederholen Sie den Vorgang auf der Linken Seite.

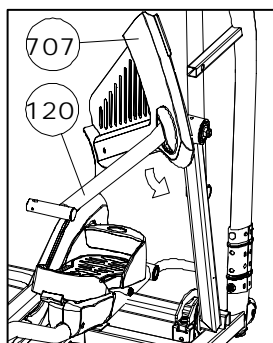
512 X4



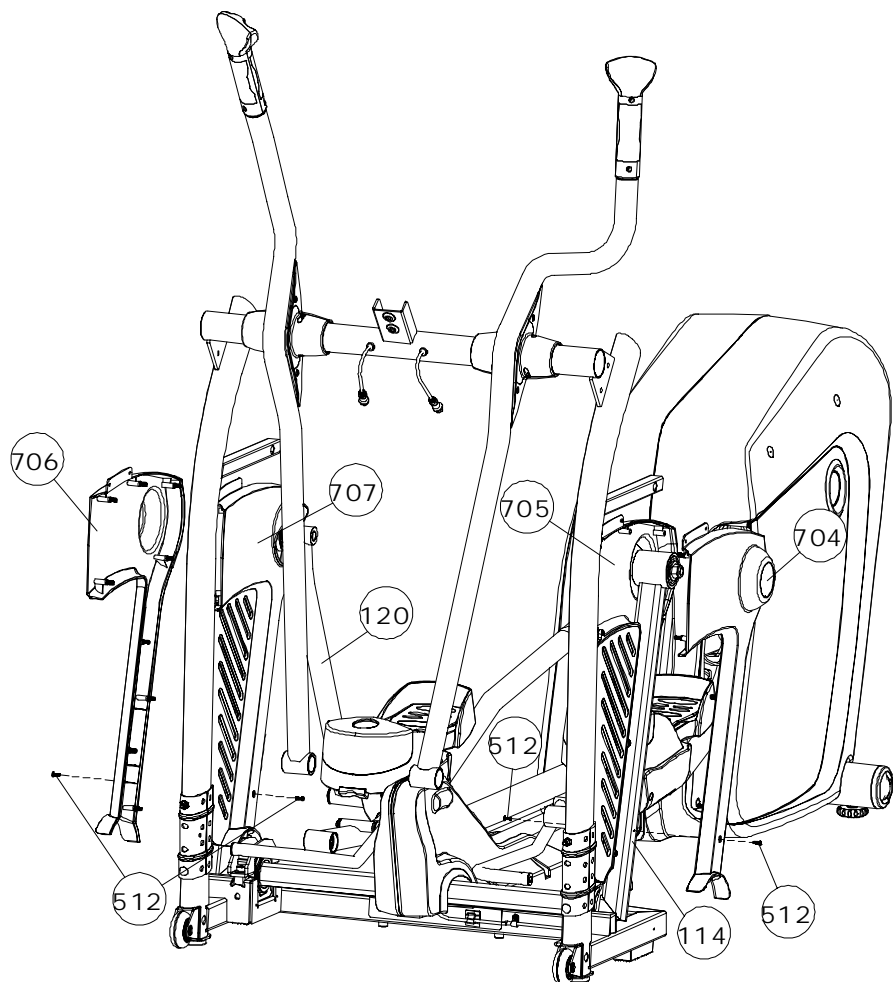
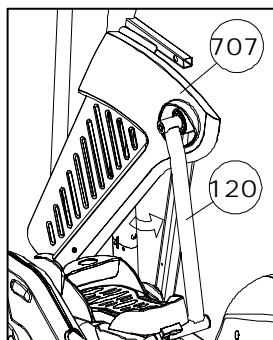
SCHRITT 1



SCHRITT 2



SCHRITT 3

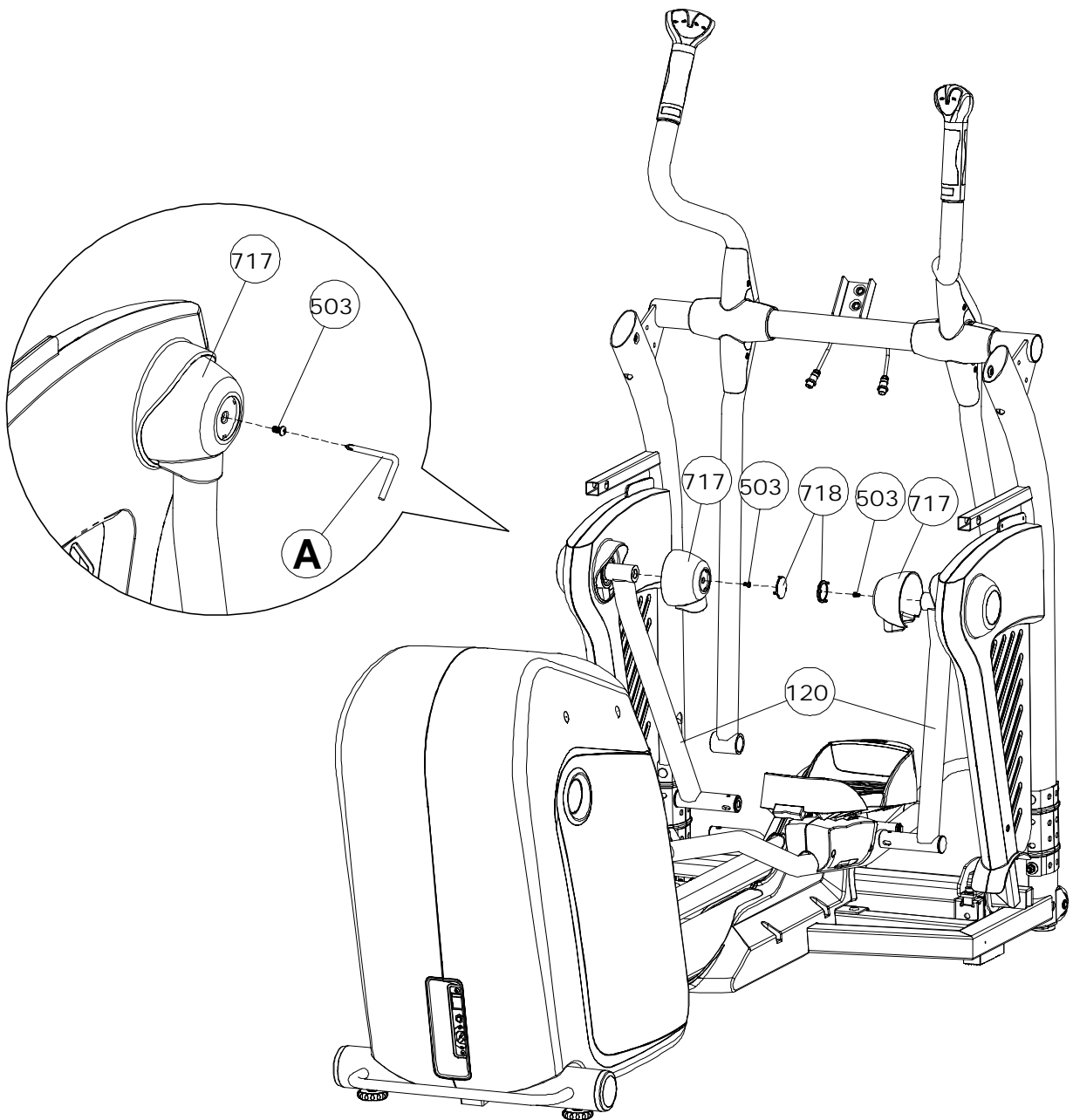


AUFBAU**SCHRITT 6: Montieren der Abdeckkappe**

BEACHTEN: GLEICHEN SIE DIE 3 SCHNAPPVERSCHLÜSSE DER ABDECKKAPPE (718) MIT DENEN DER ABDECKKAPPE (717).

(A) Montieren Sie die Abdeckkappe (717) am Swing Arm für die Fußstütze (120) und befestigen Sie diese mit der M5 x 8mm Schraube (503).

(B) Drücken Sie die Abdeckkappe (718) auf die Abdeckkappe (717).

503**X2****717****X2****718****X2**

AUFBAU**SCHRITT 7: Montieren des Haltebügels**

BEACHTEN: SETZEN SIE BEIDE ENDEN DES HALTEBÜGELS GLEICHZEITIG EIN.

(A) Verbinden Sie das 8 PIN Computerkabel oberes (616) mit dem 8 PIN Computerkabel mittleres (617).

(B) Befestigen Sie den Haltebügel (103) am Ständer mit der M8 x 20mm Schraube (504).

504 X2

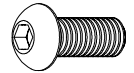
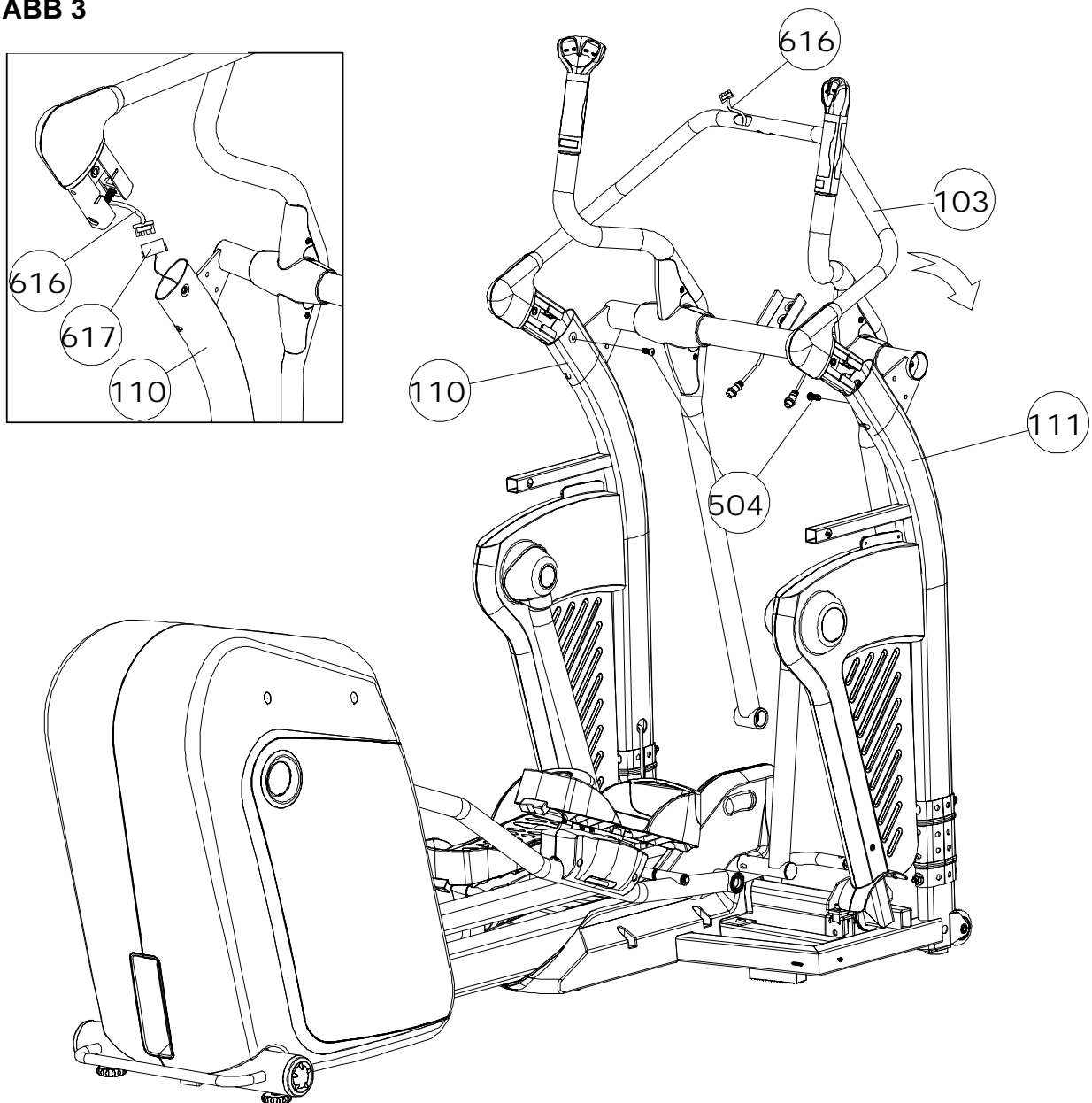


ABB 3

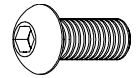
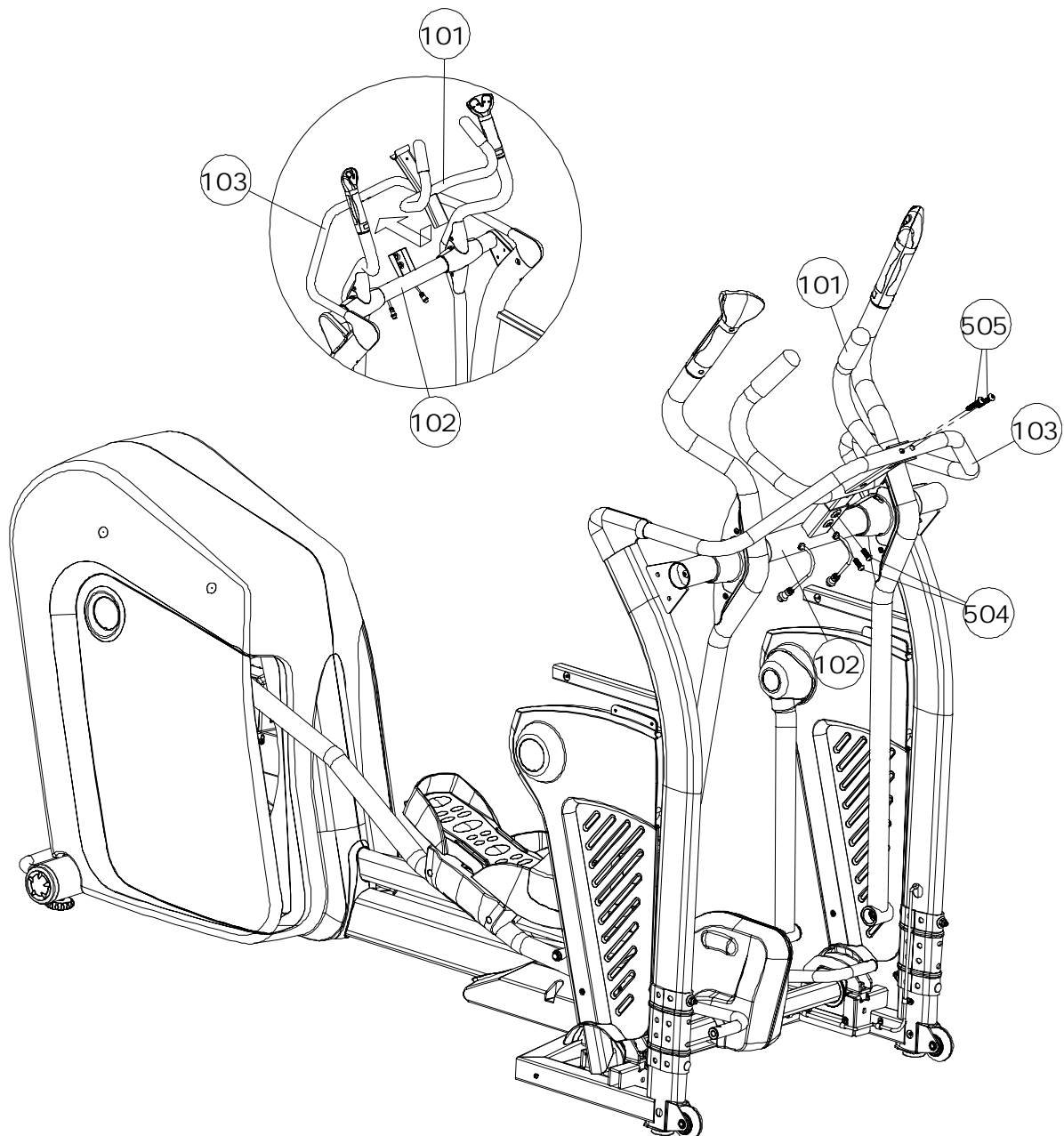
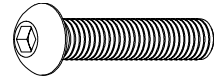


AUFBAU**SCHRITT 8: Montieren des Haltegriffs**

(A) Montieren Sie den Haltegriff (101) am Haltebügel (103) und am Querträger (102).

(B) Befestigen Sie den Haltegriff (101) am Querträger (102) mit zwei M8 x 20mm Schrauben (504).

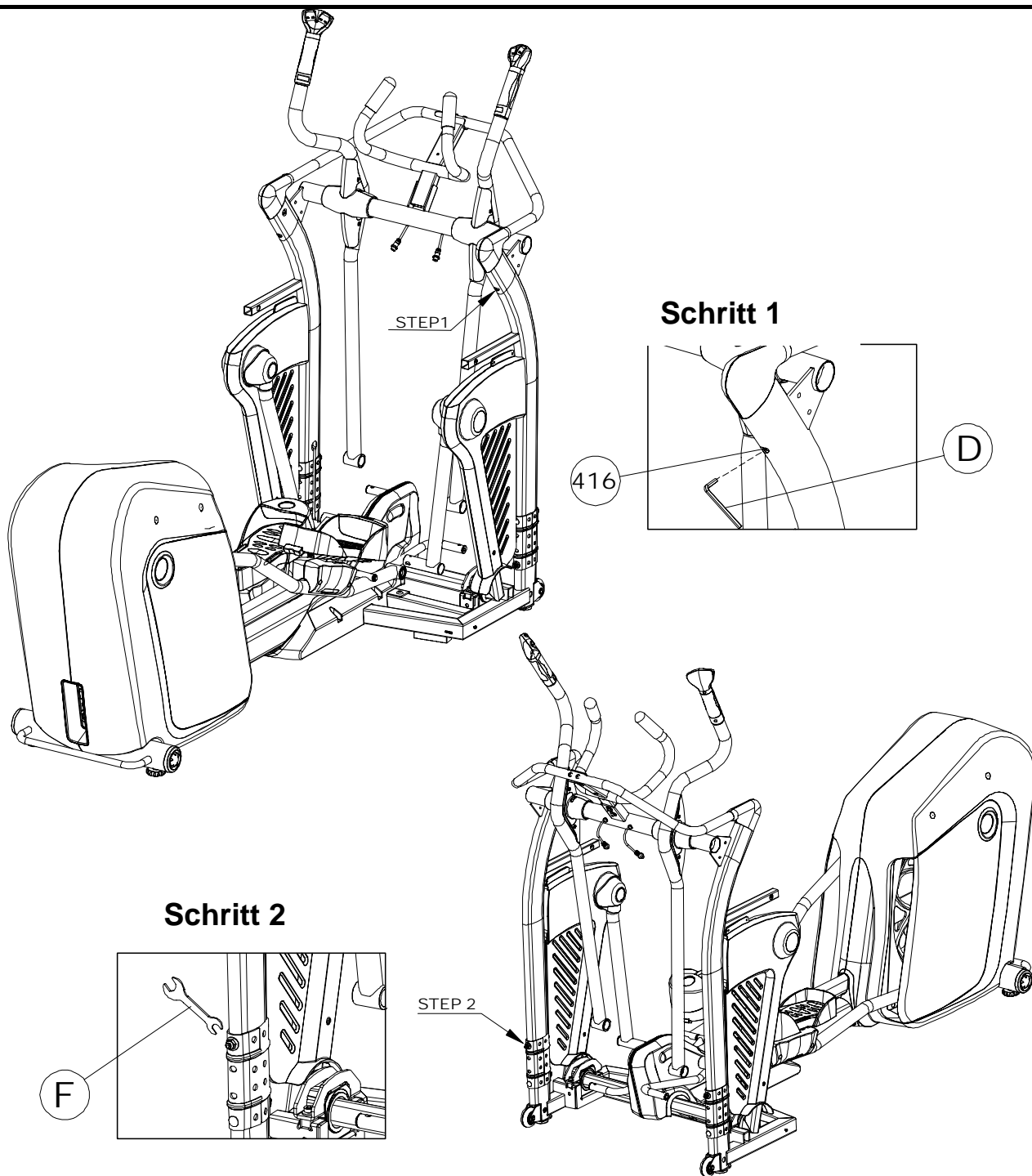
(C) Befestigen Sie den Haltegriff (101) am Haltebügel (103) mit zwei M8 x 40mm Schrauben (505).

504 X2**505 X2**

AUFBAU

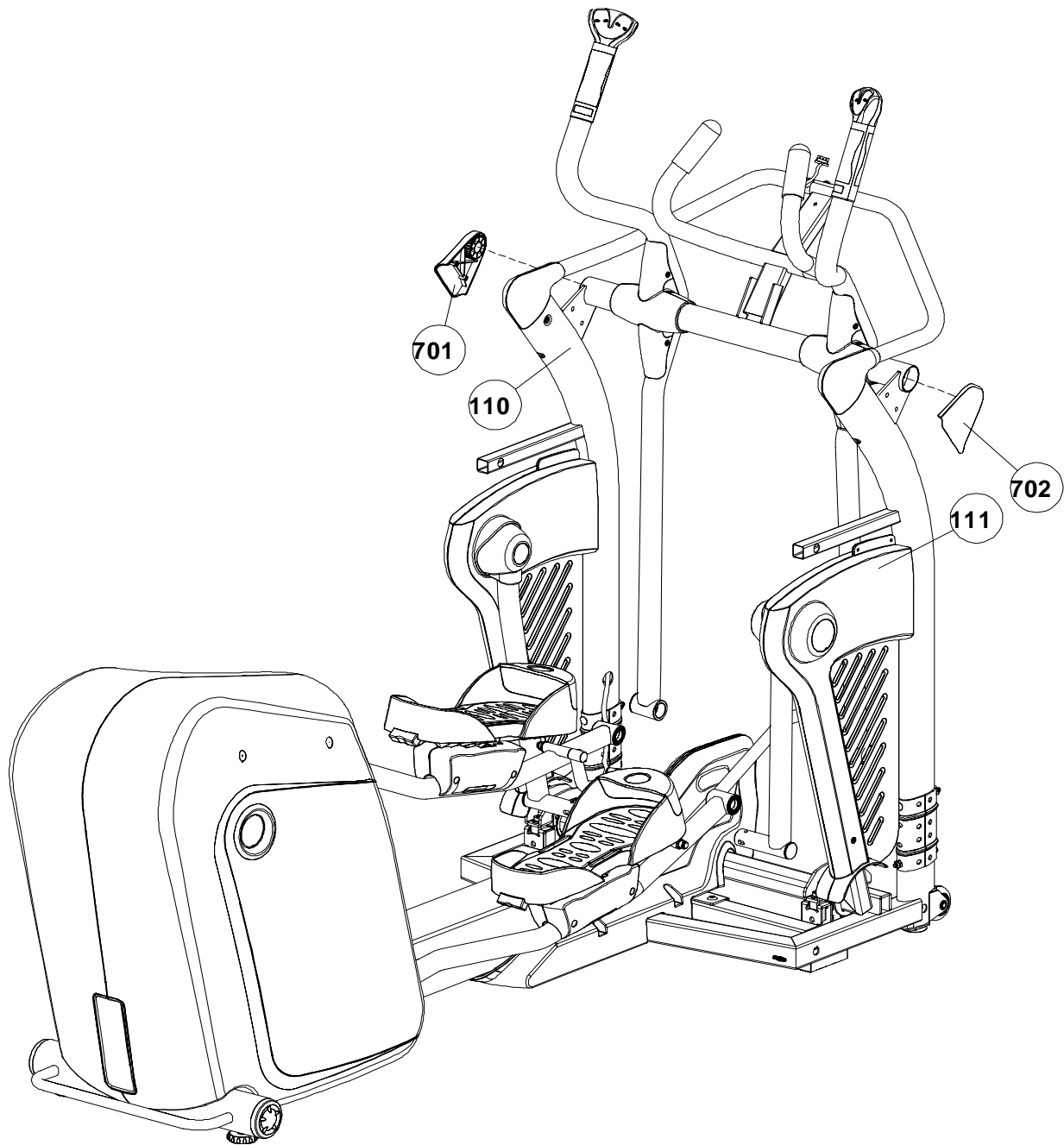
(A) Ziehen Sie die M8 x 65mm Schraube mit dem 6 mm Imbus (D) fest, siehe Schritt 1.

(B) Ziehen Sie die M8 x 20mm Schrauben (504) mit dem 5 mm Imbus (C) fest, siehe Schritt 2.



AUFBAU**SCHRITT 10: Montieren der seitlichen Abdeckungen**

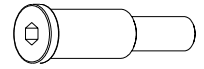
(A) Drücken Sie die Abdeckung seitlich, links (701) und die Abdeckung seitlich, rechts (702) an die Seiten der Ständer..

701 **X1****702** **X1**

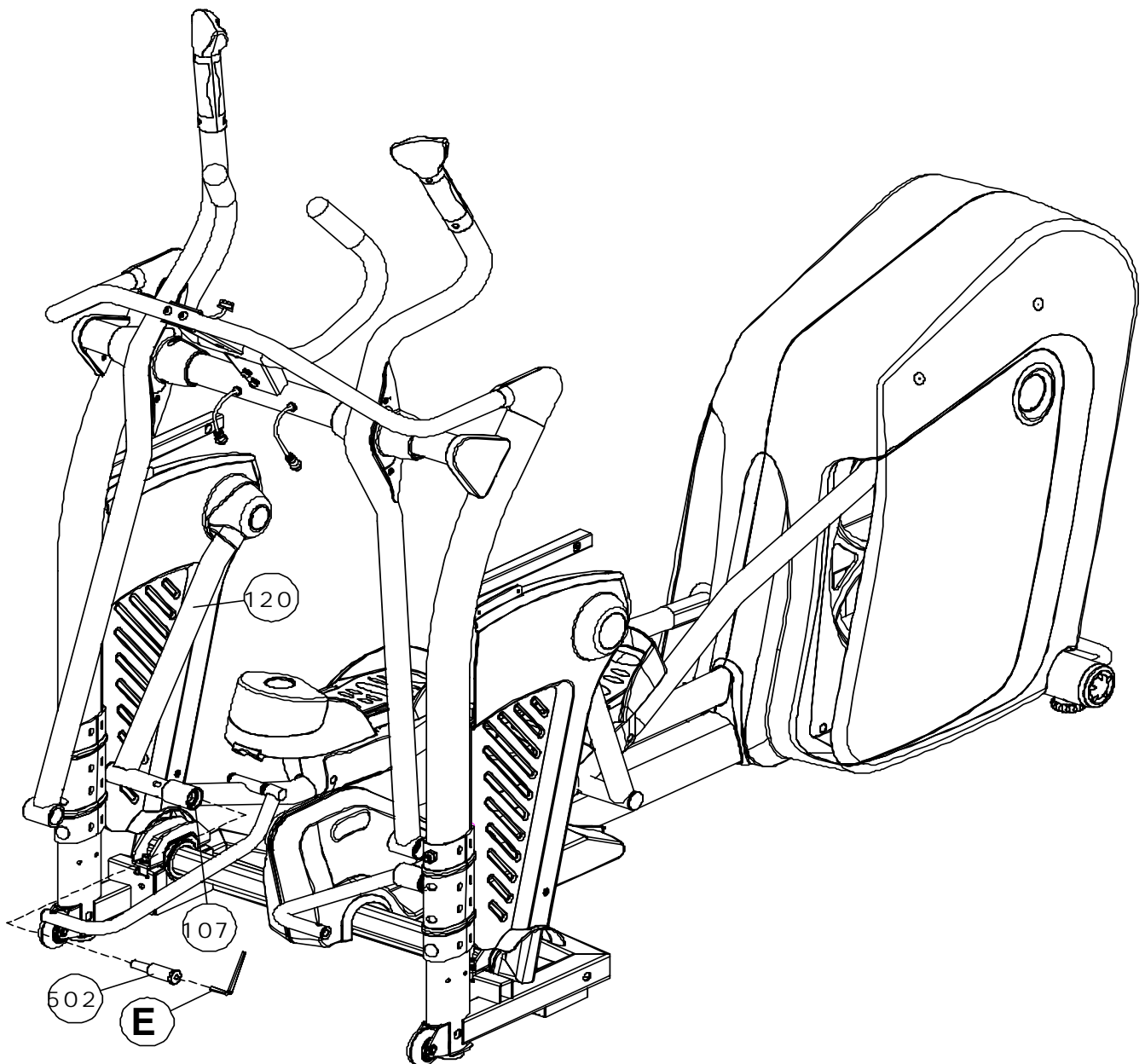
AUFBAU

SCHRITT 11: Montieren der Fußstütze am Swingarm der Fußstütze

(A) Schieben Sie die 20 x 78-M14 X 35mm Schraube (502) durch die Fußstütze rechts (107) und den Schwungarm der Fußstütze (120); befestigen Sie diese mit dem 8mm Imbus (E).

502 X2

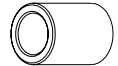
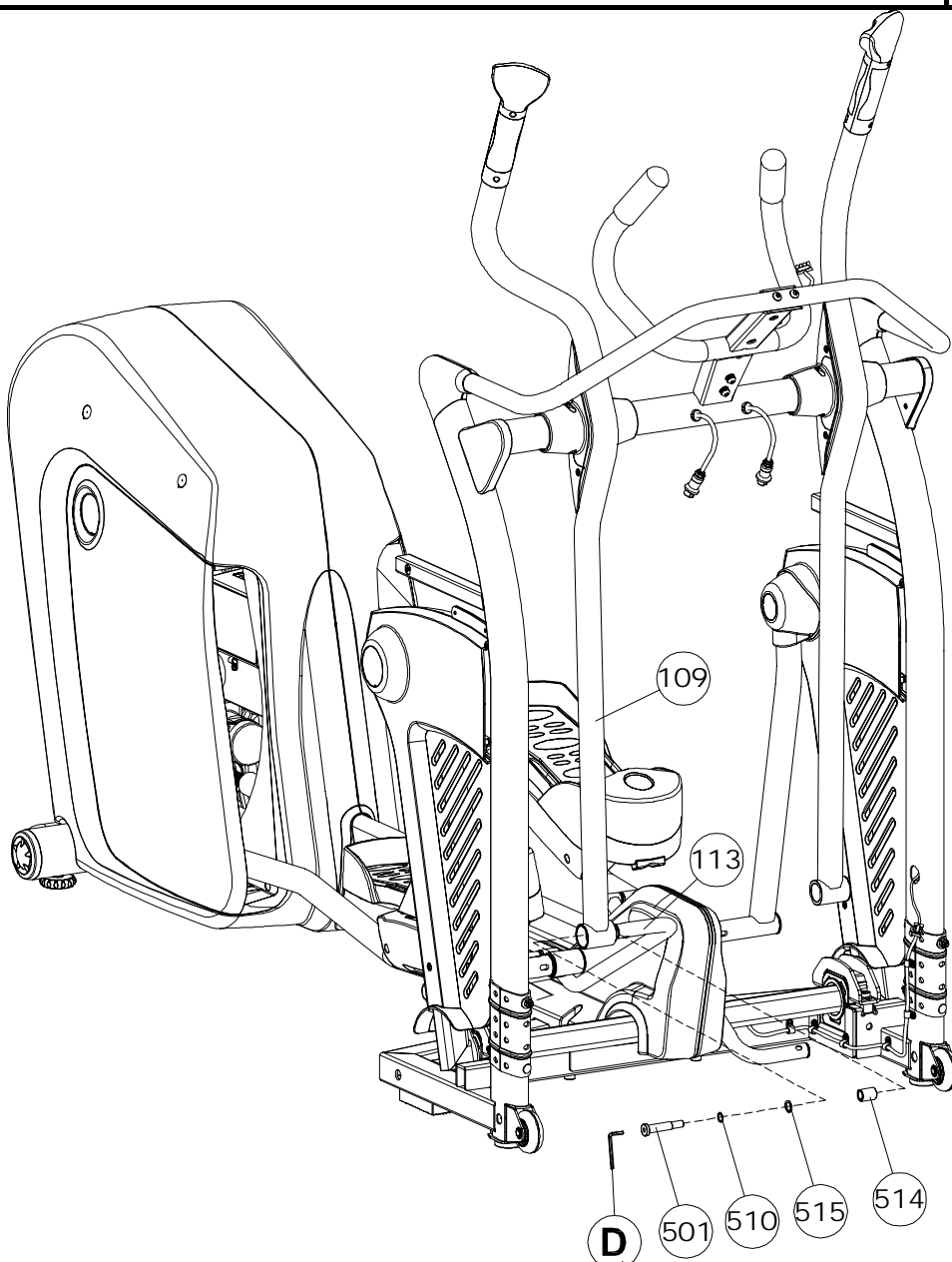
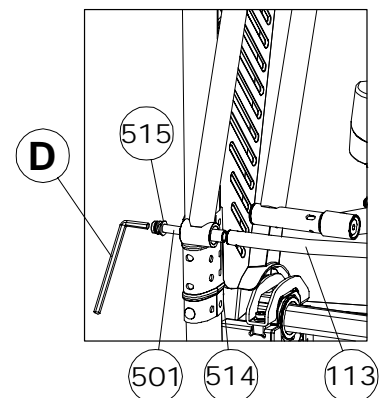
(B) Wiederholen Sie den Vorgang auf der linken Seite.



AUFBAU**SCHRITT 12: Montieren der Bügel zur Fußstütze**

(A) Verbinden Sie die bewegliche Handgriffstange rechts (109) mit dem Bügel zur Fußstütze (113) und befestigen Sie diese mit der 12 x 62-M10 x 20mm Schraube (501), der 12 x 2 x 2mm Unterlegscheibe (510), der 12 x 22 x 2mm Unterlegscheibe (515), and 12 x 18 x 24.5 Einsatz (514) mit dem 6mm Imbus (D) wie in Abbildung 1 dargestellt.

(B) Wiederholen Sie den Vorgang auf der linken Seite.

501 X2**510 X2****514 X2****515 X2****Abb. 1**

AUFBAU

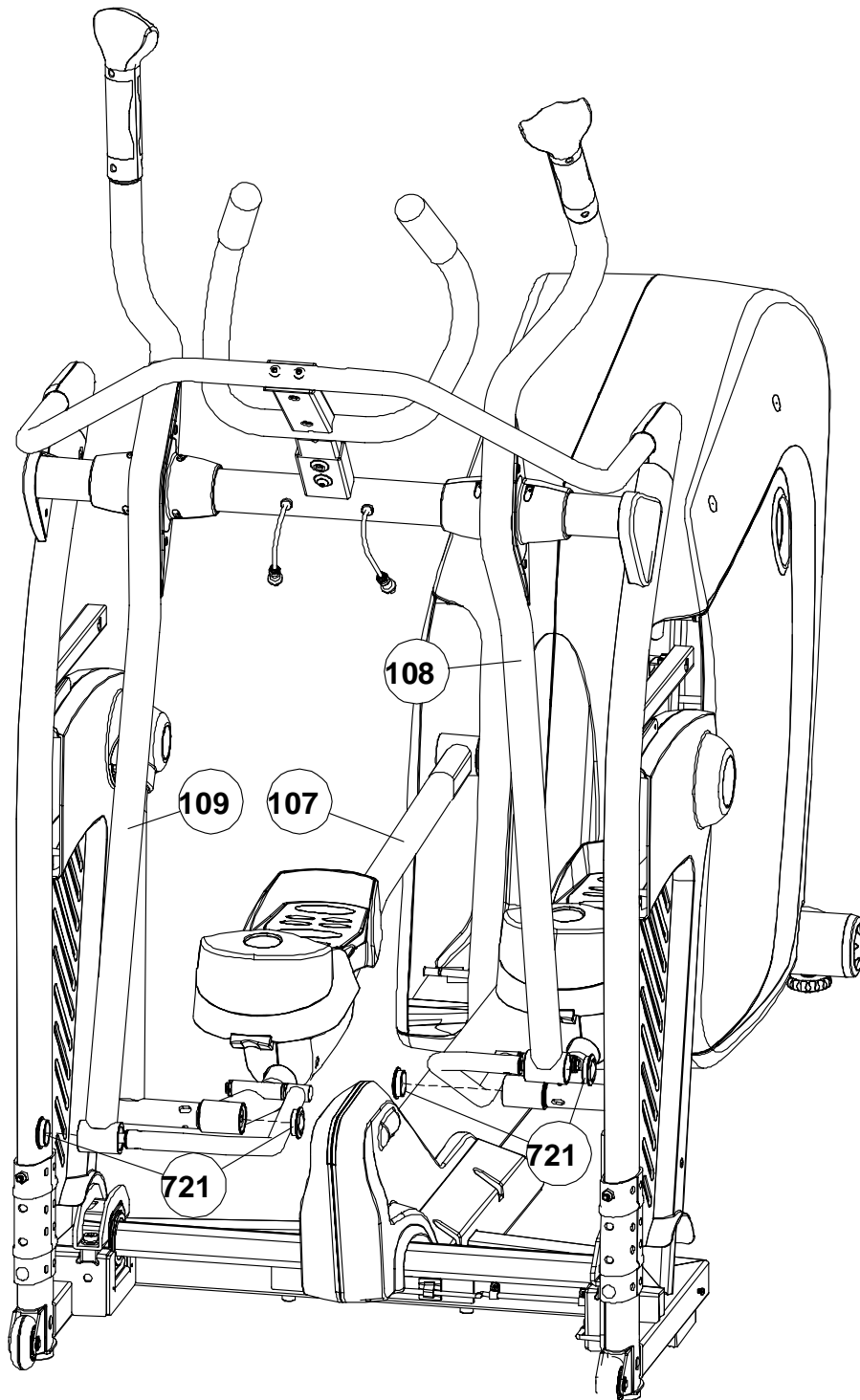
SCHRITT 13: Montieren der vorderen Abdeckung der Fußstützen

(A) Drücken Sie die Abdeckung (721) in die Öffnungen der beweglichen Handruffstange rechts (109) und der Fußstütze rechts (107).

(B) Wiederholen Sie den Vorgang auf der linken Seite.

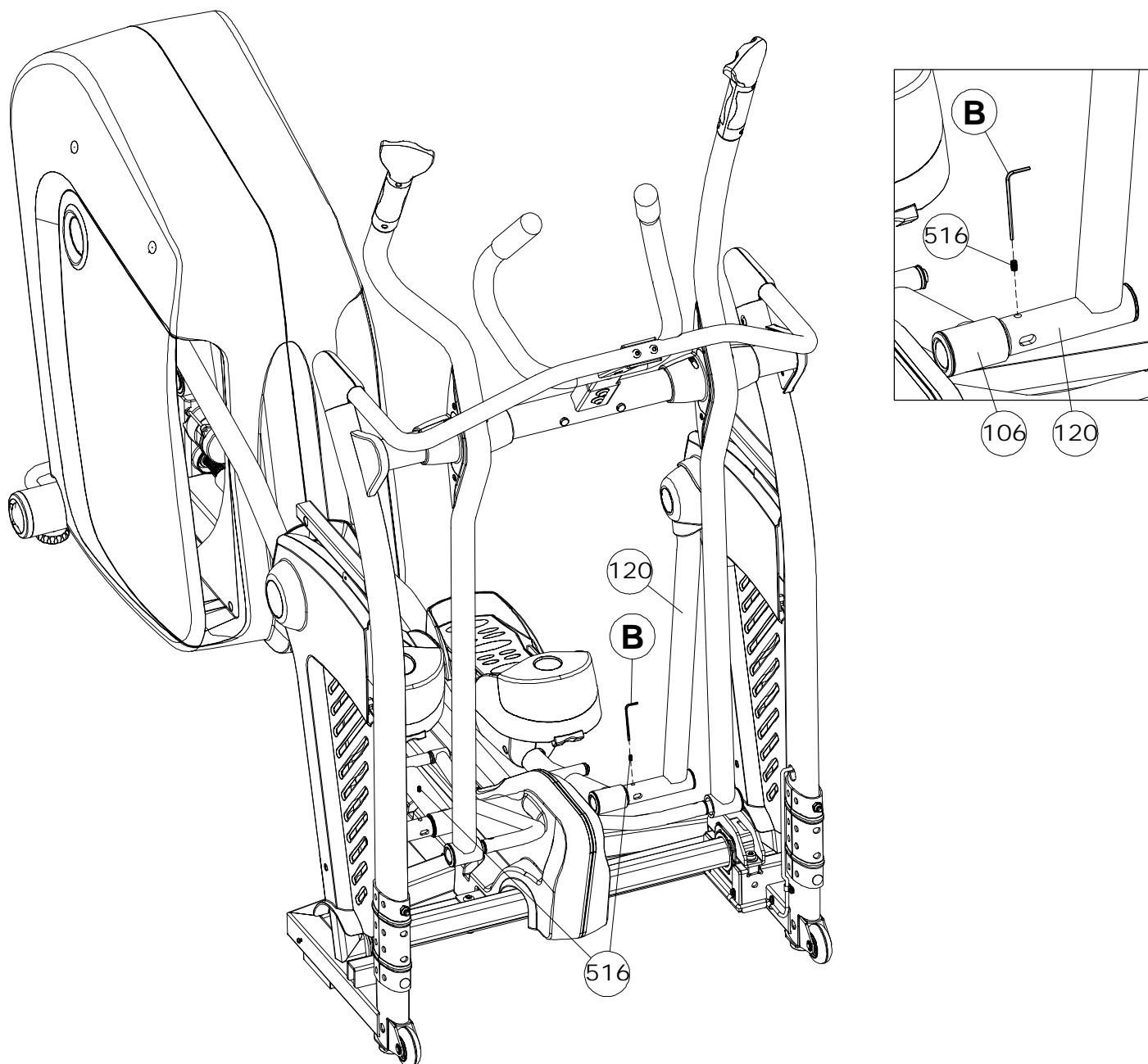
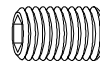
721

X4



AUFBAU**SCHRITT 14: Festziehen aller Schrauben**

(A) Befestigen Sie die M5 x 6mm Schrauben (516) am Schwingarm der Fußstütze (120) mit dem 2.5mm Imbus (B).

516 X2

AUFBAU

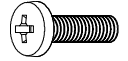
SCHRITT 15: Montieren der vorderen Außenverkleidung

BEACHTEN: ES BEFINDEN SICH 2 LÖCHER IM RAHMEN DURCH DIE DIE INNERE UND ÄUSSERE PLASTIKVERKLEIDUNG MITEINANDER VERBUNDEN WIRD. BEZIEHEN SIE SICH AUF DIESE LÖCHER UM DIE VERKLEIDUNG RICHTIG ZU POSITIONIEREN.

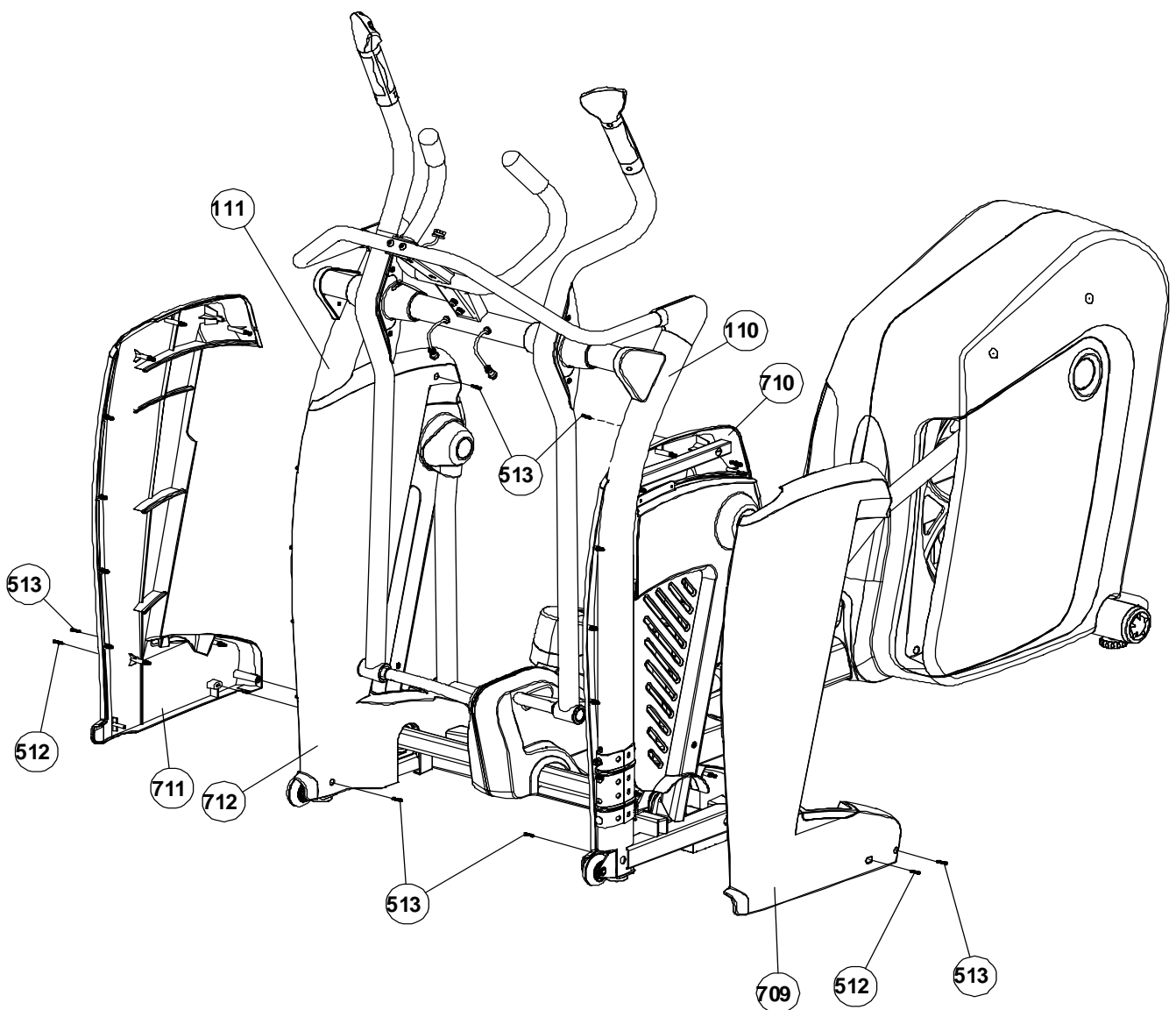
(A) Montieren Sie die Verkleidung, außen-LL (709) und die Verkleidung außen-LR (710) am linken Ständer und befestigen Sie diese mit einer 4 x 12 Schraube (512) und drei 4 x 19mm Schrauben (513).

(B) Wiederholen Sie den Vorgang auf der rechten Seite.

512 X2



513 X6



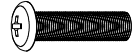
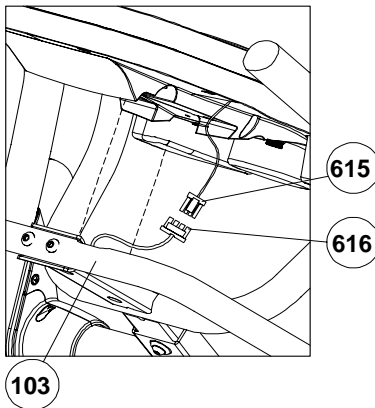
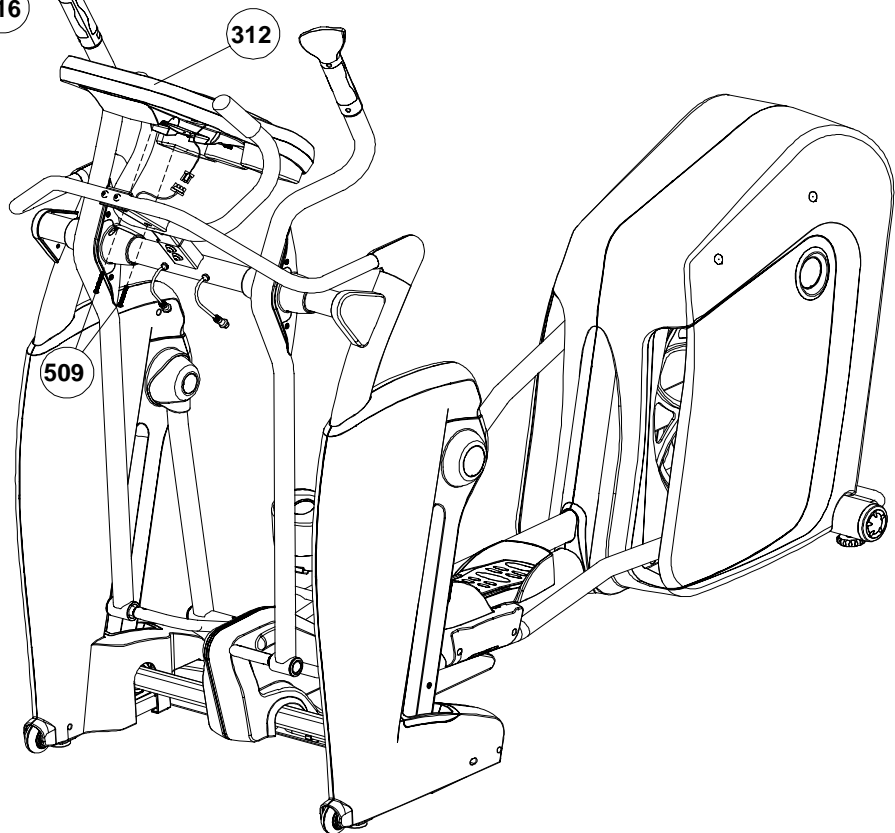
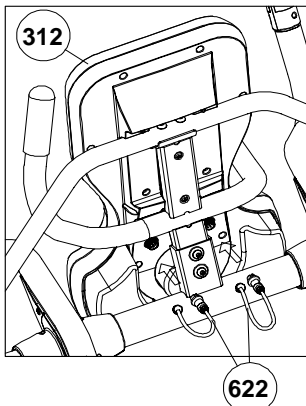
AUFBAU**SCHRITT 16: Montieren des Computers**

BEACHTEN: STELLEN SIE SICHER, DASS ALLE KABEL IN DEN COMPUTER GESCHOBEN SIND BEVOR SIE IHN AM RAHMEN BEFESTIGEN.

(A) Verbinden Sie das 8 Pin Computerkabel, oberes 1 (615) mit dem 8 Computerkabel, oberes 2 (616), siehe Abb. 1.

(B) Montieren Sie das Computergehäuse, oberes (312) am Haltebügel (103) und befestigen Sie diese mit zwei M6 x 40mm Schrauben (509).

(C) Verbinden Sie das Handpuls-kabel, mittleres (622) mit dem Computergehäuse, oberes (312) siehe Abb. 2.

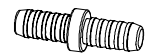
509 X2**FIG 1****FIG 2**

AUFBAU

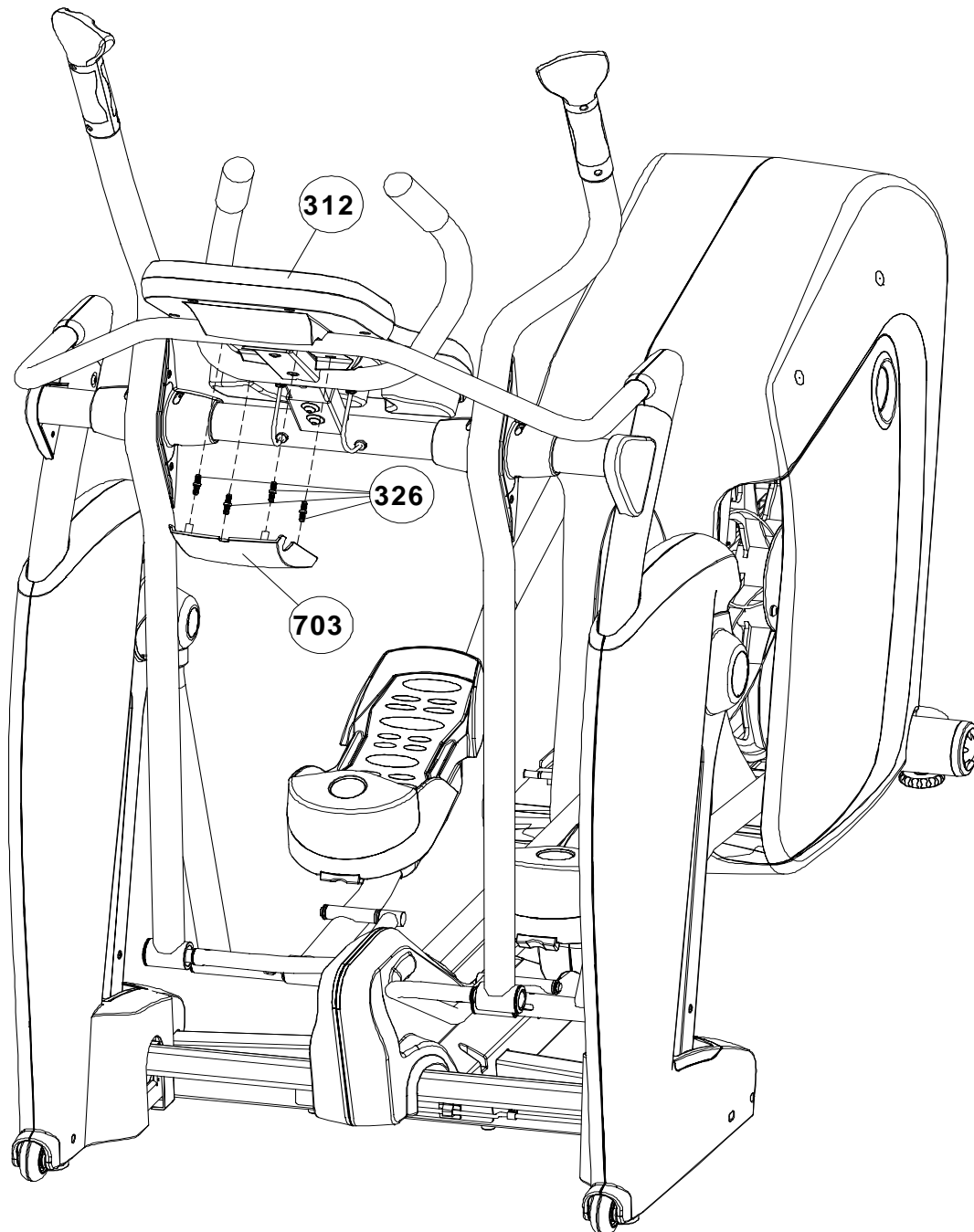
SCHRITT 17: Montieren der hinteren Computerabdeckung

(A) Montieren Sie die Gehäusezapfen (326) an der hinteren Computerabdeckung (703).

326 X4



(B) Montieren Sie die hintere Computerabdeckung (703) am Computergehäuse (312).



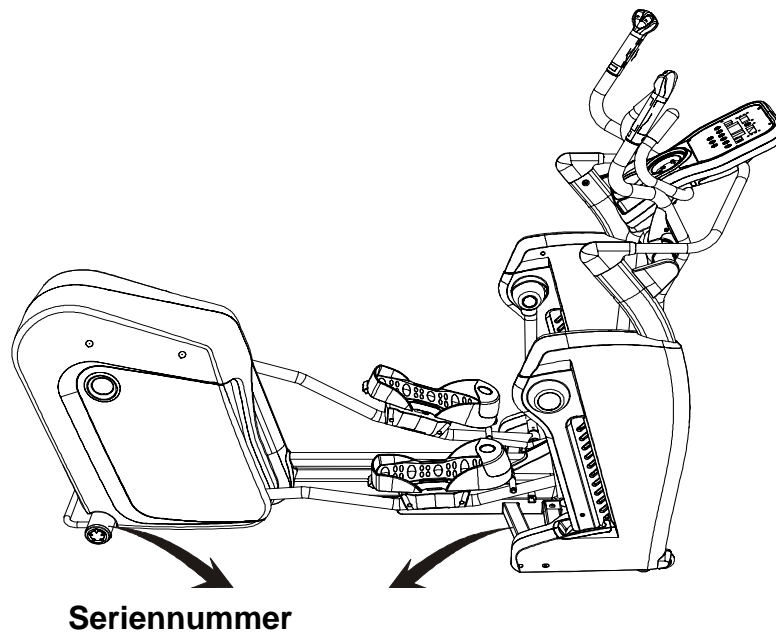
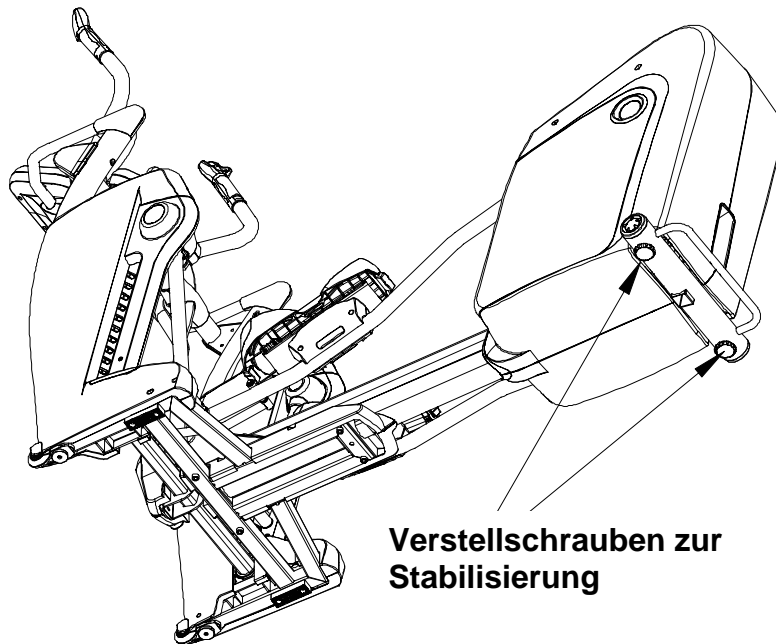
STABILISIERUNG

STABILISIERUNG:

Beachten Sie bei der Stabilisierung folgende Hinweise:

Sie könnten bei diesem Schritt Hilfe benötigen, da Ihr AGILE Dynamic Motion Trainer gekippt werden muss um an die Stabilisatoren heran zu kommen.

Kippen Sie das Gerät nach links oder rechts. Sie sehen jetzt die Verstellerschrauben an der Unterseite. Drehen Sie die Verstellerschrauben herein oder heraus, um das Niveau korrekt einzustellen. Es könnte hilfreich sein eine Wasserwaage zu verwenden.



LITE-TOUCH CONTROL FUNKTION

“LITE-TOUCH CONTROL”:

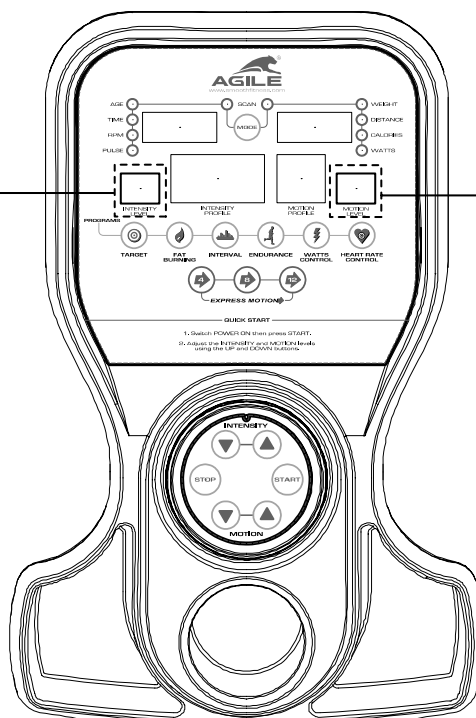
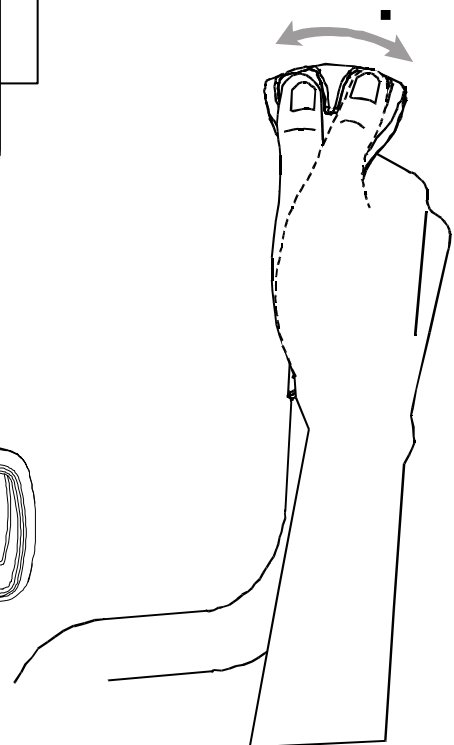
Der Widerstand und die Ellipsenlänge können mit der Lite-Touch control auf den beweglichen Handgriffen reguliert werden. Wie auf der Abbildung zu sehen, ist der rechte Lite-Touch Control für die Ellipse und der linke Lite-Touch Control für den Widerstandsgrad zu verwenden. Wie ersichtlich folgen die entsprechenden Anzeigen des Computers der gleichen Seitenausrichtung.

Um den Lite-Touch Control zu benutzen, starten Sie einfach ein Programm oder drücken die START Taste um das Training zu beginnen. Um die Ellipsenlänge oder den Widerstand zu erhöhen, legen Sie Ihren Daumen auf die Daumenmulde mit dem “+” Zeichen. Solange Sie den Daumen in der Mulde lassen nimmt der Grad kontinuierlich zu, bis Sie den Daumen entfernen. Um den Grad zu reduzieren legen Sie Ihren Daumen einfach in die Daumenmulde mit dem “-“ Zeichen.

INTENSITY - WIDERSTAND

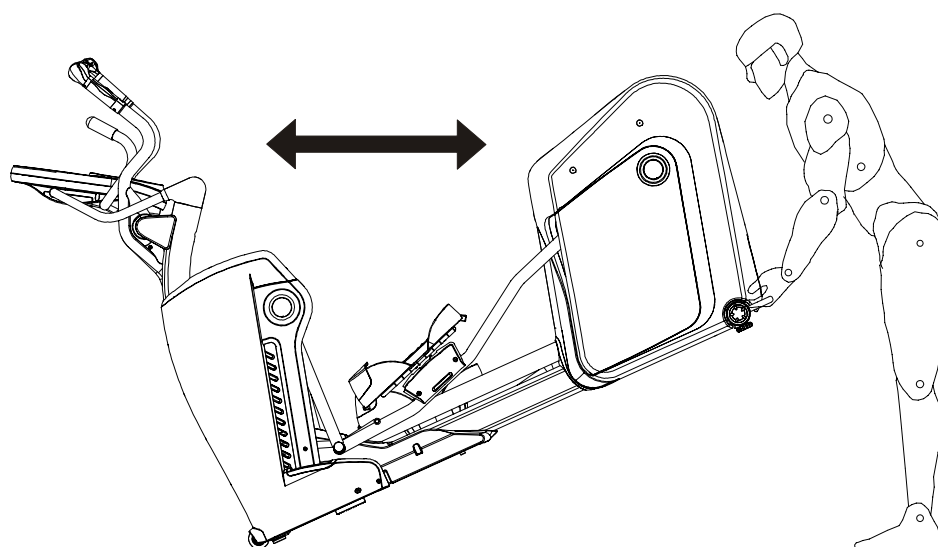
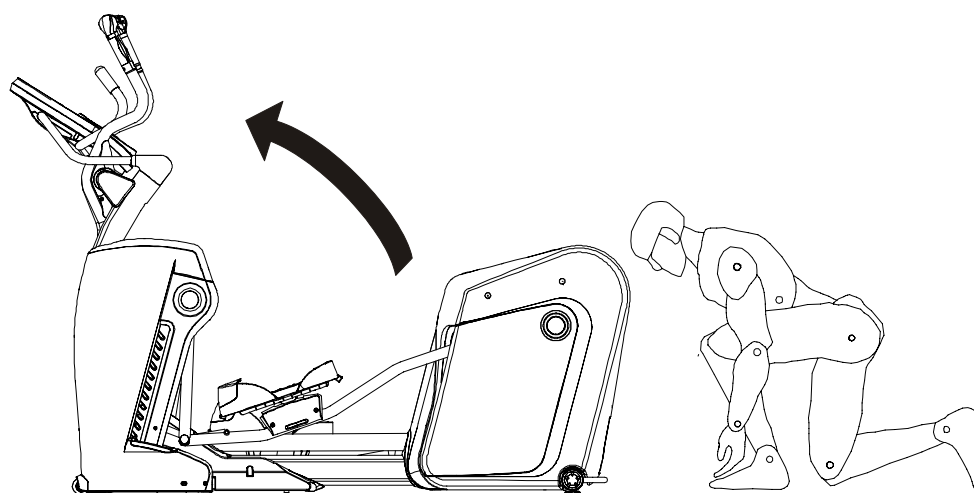


MOTION - ELLIPSE



TRANSPORTHINWEISE**TRANSPORTHINWEISE**

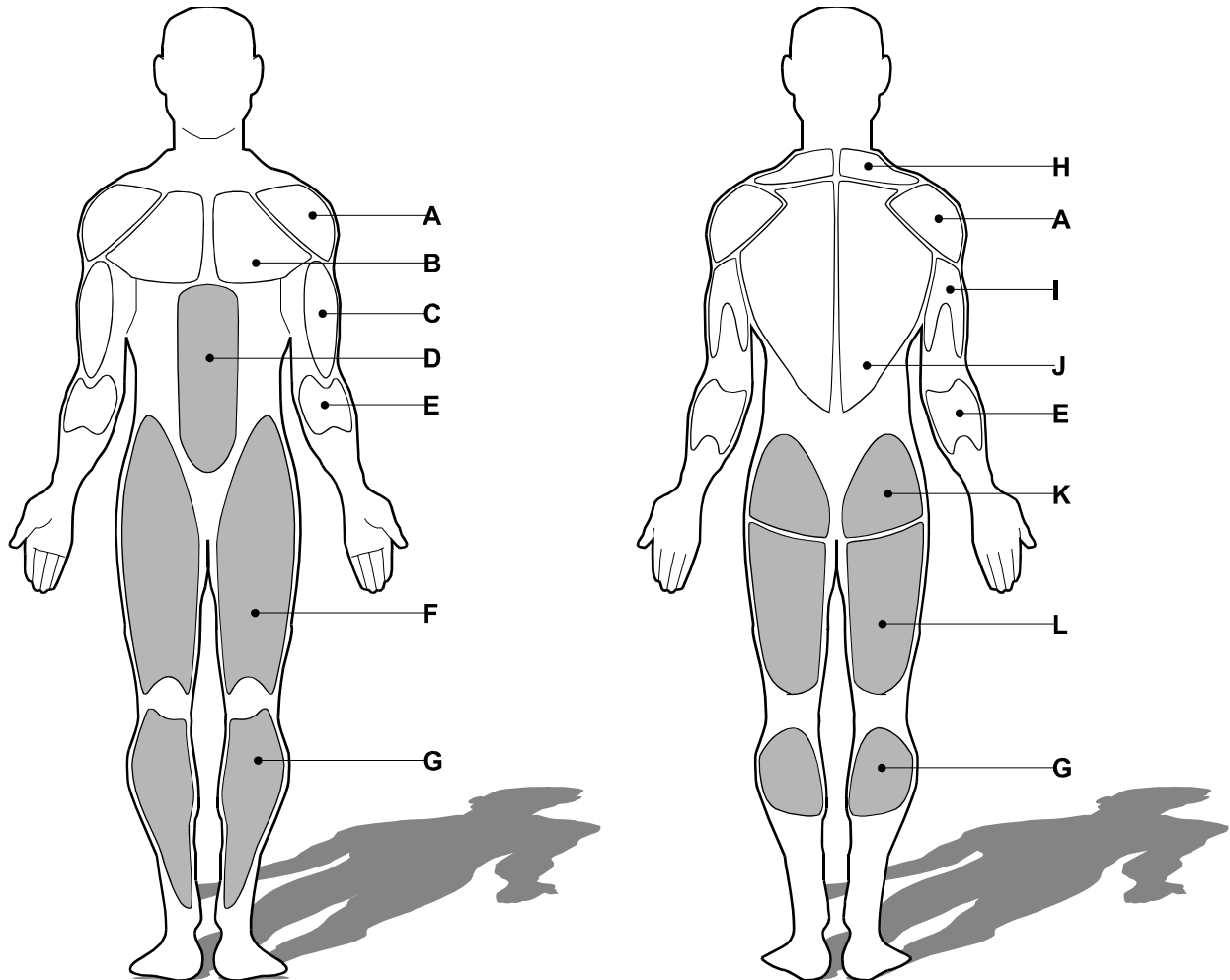
Um Ihren AGILE Dynamic Motion Trainer zu transportieren heben Sie einfach das hintere Ende und schieben Sie das Gerät dann in die gewünschte Position.



MUSKELÜBERSICHT

Beanspruchte Muskelgruppen:

Das Trainingsprogramm dieses Produkts beansprucht hauptsächlich die unteren Muskelgruppen des Körpers. Diese Muskelgruppen sind in der folgenden Übersicht grau hinterlegt.



MUSKELGRUPPEN

| | | | |
|----------|--------------------|---------------------------------|----------|
| A | Schultermuskeln | Wadenmuskeln | G |
| B | Brustmuskeln | Trapez- Muskeln | H |
| C | Bizeps-Muskeln | Trizeps-Muskeln | I |
| D | Unterleibsmuskeln | Gesäßmuskeln | J |
| E | Unterarmmuskeln | Gluteal muscles | K |
| F | Quadrizeps-Muskeln | Oberschenkelmuskulatur, hintere | L |

DEHNÜBUNGEN

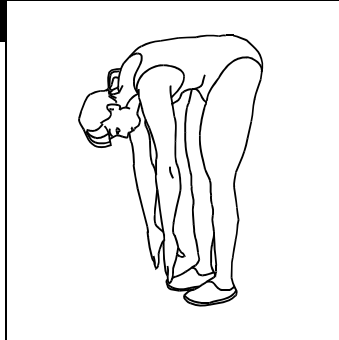
Aufwärmen und Abkühlen:

Eine erfolgreiche Trainingseinheit besteht aus dem Aufwärmen, aeroben Übungen, und dem Abkühlen. Machen Sie das komplette Programm mindestens 2–3 Mal die Woche, mit jeweils einem Tag Pause zwischen den Trainingstagen. Nach einigen Monaten können Sie Ihr Training auf 4–5 Mal die Woche erhöhen.

Das Aufwärmen ist ein sehr wichtiger Teil des Trainings und sollte jeder Einheit vorausgehen. Es bereitet Ihren Körper auf anstrengendere Übungen vor, indem es Ihre Muskeln aufwärmt und dehnt, sowie Ihren Kreislauf und Pulsschlag anregt. Außerdem gelangt dadurch mehr Sauerstoff in Ihre Muskeln. Wiederholen Sie die Übungen am Ende ihres Trainings um Muskelschmerzen vorzubeugen. Wir empfehlen die Aufwärm- und Abkühlübungen auf den folgenden Seiten:

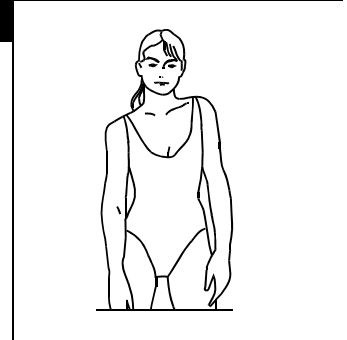
Zehen berühren

Beugen Sie sich langsam aus der Taille nach vorne. Lassen Sie ihren Rücken und Ihre Schultern entspannt während Sie versuchen mit den Händen so weit wie möglich nach unten zu kommen. Halten Sie den tiefsten Punkt für 15 Sekunden.



Schultern heben

Heben Sie Ihre rechte Schulter für einen Zähler zu Ihrem Ohr. Dann heben Sie die linke Schulter für einen Zähler zum Ohr während Sie die rechte Schulter wieder entspannen.



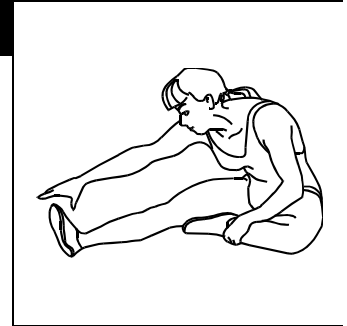
Innere Oberschenkel dehnen

Setzen Sie sich hin und legen Sie Ihre Fußflächen aneinander während Ihre Knie nach außen zeigen. Ziehen Sie beide Füße möglichst nah an Ihren Schoß heran. Mit den Ellebogen drücken Sie nun vorsichtig Ihre Knie in Richtung Boden. Halten Sie die Stellung für 15 Sekunden



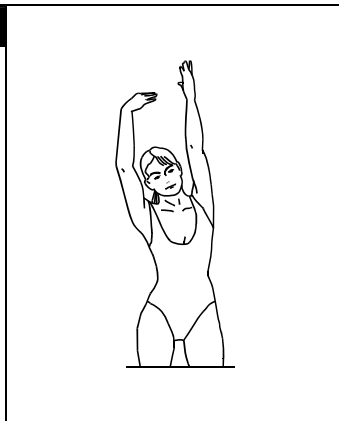
Oberschenkelmuskulatur dehnen

Setzen Sie sich hin und strecken Sie Ihr rechtes Bein aus. Legen Sie die Sohle Ihres linken Fußes an die Innenseite Ihres rechten Oberschenkels. Versuchen Sie nun die Zehen Ihres rechten Fußes zu berühren. Halten Sie die weiteste Stellung für 15 Zähler. Entspannen Sie sich und wiederholen Sie die Übung mit dem linken Bein.



Seiten dehnen

Öffnen Sie Ihre Arme und führen Sie diese über ihren Kopf. Greifen Sie nun mit dem rechten Arm für einen Zähler so weit wie möglich in Richtung Decke. Beachten Sie die Dehnung Ihrer rechten Seite. Wiederholen Sie die Übung mit dem linken Arm.



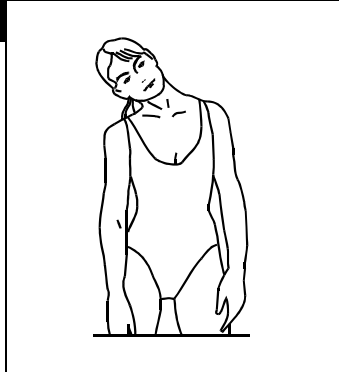
Waden dehnen

Lehnen Sie sich mit den Armen voran gegen eine Wand, mit dem linken Bein vor dem rechten. Lassen Sie Ihr rechtes Bein gestreckt und den linken Fuß locker auf dem Boden. Beugen Sie nun Ihr linkes Bein und lehnen Sie sich nach vorne indem Sie Ihre Hüfte in Richtung der Wand bewegen. Halten Sie die Stellung für 15 Sekunden und wiederholen Sie die Übung mit dem anderen Bein.

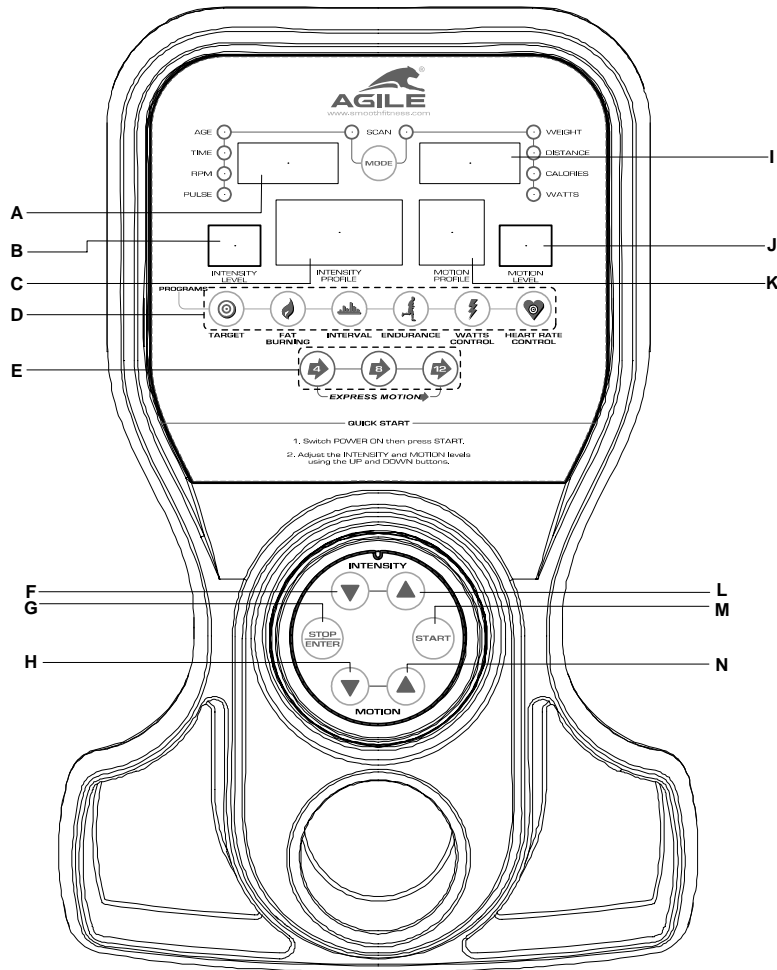


Kopf rollen:

Rollen Sie Ihren Kopf für einen Zähler nach rechts und beachten Sie die Dehnung Ihrer linken Halsseite. Dann rollen Sie Ihren Kopf für einen Zähler nach hinten indem Sie Ihr Kinn nach oben strecken und Ihren Mund offen lassen. Dann drehen Sie Ihren Kopf für einen Zähler nach links und schließlich lassen Sie Ihren Kopf für einen Zähler auf die Brust fallen.



COMPUTERBEDIENUNG



- | | | | |
|---------------------|----------|----------|------------------|
| DATEN ANZEIGE-1 | A | I | DATEN ANZEIGE-2 |
| WIDERSTAND | B | J | ELLIPSENLÄNGE |
| WIDERSTANDS PROFILE | C | K | ELLIPSEN PROFILE |
| PROGRAMME | D | L | WIDERSTAND-AUF |
| EXPRESS MOTION- | E | M | START |
| WIDERSTAND-AB | F | N | ELLIPSE-AUF |
| STOP / ENTER | G | | |
| ELLIPSE -AB | H | | |

COMPUTERBEDIENUNG

ANZEIGEFUNKTIONEN:

Es befinden sich 6 Fenster auf dem Monitor, die Ihnen alle wichtigen Informationen vor und während des Trainings liefern

WIDERSTAND - ANZEIGE:

Zeigt die Widerstands-Stufen 1 bis 20.

8 x 16 DOT MATRIX WIDERSTANDS PROFIL ANZEIGE:

Zeigt vor dem Training die Benutzerbefehle und während des Trainings die Widerstands-Profile.

8 x 8 DOT MATRIX ELLIPSENLÄNGEN ANZEIGE:

Zeigt die Ellipsen Profile während des Trainings.

ELLIPSEN PROFILE

Zeigt Ellipsenlänge von 1 bis 12.

DATENANZEIGE 1:

Vor dem benutzen eines voreingestellten Programms, zeigt die Datenanzeige 1 dem Benutzer das Alter, Trainingszeit und Zielpuls und erlaubt ihm diese einzustellen.

Während des Trainings zeigt die Datenanzeige 1 ZEIT RPM oder PULS, abhängig davon, welcher Anzeigemodus gewählt wurde. Es kann auch der Datendurchlauf gewählt werden, um alle anfallenden Daten zu sehen.

DATENANZEIGE 2:

Vor dem Benutzen eines voreingestellten Programms, zeigt die Datenanzeige 2 dem Benutzer Gewicht, Strecke, Kalorien und Watt und erlaubt ihm diese einzustellen.

Während des Trainings zeigt die Datenanzeige 2 STRECKE; KALORIEN oder WATT; abhängig davon welcher Anzeigemodus gewählt wurde. Es kann auch der Datendurchlauf gewählt werden, um alle anfallenden Daten zu sehen.

ANZEIGEMODUS

Modus 1: Datendurchlauf (durchläuft Anzeigemodus 2-4))

Modus 2: ZEIT und STRECKE

Modus 3: RPM und KALORIEN

Modus 4: PULS und WATT

COMPUTERBEDIENUNG:

ANSCHALTEN:

Stecken Sie den Netzschalter ein und schalten Sie den Computer ein. Alle LED Anzeigen leuchten auf und beginnen die Informationen zu aktualisieren. Die WIDERSTANDS Dot Matrix leuchtet auf und der Bilddurchlauf erscheint: "SELECT-QUICK-START-OR-PROGRAM"- WÄHLEN SIE SCHNELLSTART ODER EIN PROGRAMM. Die anderen LED Fenster zeigen die vom Werk voreingestellten Werte wie folgt:

WIDERSTAND Fenster zeigt: "1"

ELLIPSENLÄNGE Fenster zeigt: "1"

DATENANZEIGE 1: zeigt (voreingestelltes Lebensalter): "35", AGE LED – Lebensalters LED leuchtet auf.

DATENANZEIGE 2: zeigt (voreingestelltes Gewicht): "150" lb, WEIGHT LED – Gewichts LED leuchtet auf.

Drücken Sie während des Trainings die STOP Taste zweimal um zum Standardbildschirm zurück zu kehren.

SCHLAFMODUS:

Wird, während der Computer eingeschaltet ist, für 3 Minuten keine Eingabe gemacht, geht der Computer zum Schlafmodus über. Durch das Drücken einer beliebigen Taste oder durch betätigen eines Pedals wird der Schlafmodus aufgehoben und der Computer kehrt zum Standardbildschirm zurück. Der Schlafmodus kann deaktiviert werden, doch dann bleibt der Computer unter Strom solange das Gerät am Netz angeschlossen ist, und die LED Anzeigen bleiben beleuchtet. Zum deaktivieren des Schlafmodus schalten Sie den Computer ein, drücken Sie dann gleichzeitig für 5 Sekunden. auf WIDERSTAND AUF und AB. Die Datenanzeige 2 zeigt "1". Drücken Sie die START Taste und die Datenanzeige 2 zeigt den SLEEP MODE- SCHLAFMODUS Status. Um zwischen On" und "Off" - " Ein und Aus" zu wechseln drücken Sie die WIDERSTAND AUF oder AB Taste und bestätigen dies mit der STOP/ENTER Taste, um dann zum Standardbildschirm zurück zu gelangen.

PAUSE/STOP:

Wenn Sie während des Trainings die STOP Taste drücken oder 10 Sekunden nicht treten wird der PAUSE Status aktiviert. Die Dot Matrix Anzeige zeigt "PAUSE". Drücken Sie die START Taste oder beginnen Sie zu treten um im Programm fort zu fahren, alle Daten laufen dann wieder weiter, bis das Programm beendet ist. Stehen die Pedale 3 Minuten still oder wird die STOP-Taste zweimal gedrückt, werden alle Werte auf Null zurückgesetzt und der Computer kehrt zum Standardbildschirm zurück.

COMPUTERBEDIENUNG

ENGLISCHES / METRISCHES SYSTEM

Der Computer des Elliptical Trainers kann sowohl metrische als auch englische Maße bzw. Einheiten anzeigen. Das sollte bereits für Ihr Land von Fabrik aus voreingestellt sein. Falls Sie dennoch zwischen den Systemen wechseln müssen, beachten Sie bitte die folgenden Anweisungen:

1. Schalten Sie den Computer ein. Drücken Sie gleichzeitig die STOP und ELLIPSE AUF Taste für 3 Sekunden. Die WIDERSTANDS Dot Matrix zeigt durchlaufend "KM" or "ML". KM steht für METRISCH and ML für ENGLISH.
2. Drücken Sie die WIDERSTAND AUF oder AB Taste um zwischen Metrisch und Englisch zu wechseln. Drücken Sie STOP/ENTER zum bestätigen und der Computer kehrt zum Standardbildschirm zurück.

TON Ein / Aus:

Vom Standardbildschirm drücken Sie die WIDERSTAND AUF und AB Tasten gleichzeitig für 5 Sekunden um zum Anzeigekontrollmodus zu gelangen. Die Datenanzeige 2 zeigt "1". Drücken Sie die WIDERSTAND AUF Taste bis "2" angezeigt wird, drücken Sie dann die START Taste. Um zwischen "On and OFF" – "Ein und AUS" zu wechseln drücken Sie die WIDERSTAND AUF und AB Taste und STOP/ENTER zum bestätigen. Der Computer kehrt zum Standardbildschirm zurück.

PROGRAMMÜBERSICHT

SCHNELLSTART:

Wenn der Monitor den Standardbildschirm anzeigt, können Sie mit der START-Taste einen Schnellstart einleiten. Die WIDERSTANDS Anzeige zeigt "1" und die WIDERSTANDS Dot Matrix zeigt das Widerstandsprofil. Die ELLIPSENLÄNGE Anzeige zeigt "1" und die ELLIPSENLÄNGE Dot Matrix zeigt das ELLIPSEN Profil. Drücken Sie die WIDERSTAND AUF/AB Taste um den Widerstandsgrad zu wechseln. Drücken Sie die ELLIPSE AUF/AB Taste um die Ellipsenlänge zu ändern. Die ZEIT, KARLOIREN, und STRECKE beginnen mit 0.

VORGABEN PROGRAMM (Target Program):

Wenn der Computer eingeschaltet ist drücken Sie die TARGET (Vorgaben) Programm Taste einmal, um das Zeitvorgabeprogramm einzustellen.

Drücken Sie die TARGET (Vorgaben) Programm Taste zweimal um das Streckenvorgabeprogramm einzustellen.
Drücken Sie die TARGET (Vorgaben) Programm dreimal um das Kalorienvorgabeprogramm einzustellen.

Mit der TARGET (Vorgaben) Programm Taste können Sie die drei unterschiedlichen Programme anwählen.

Zeitvorgabe (Target Time):

Drücken Sie die TARGET (Vorgaben) Programm Taste einmal für das Zeitvorgabeprogramm, drücken Sie dann die STOP/ENTER Taste um zum Einstellungsmodus zu gelangen.

Die TIME (Zeitanzeige) zeigt die Werkseinstellung von "30:00". Drücken Sie die WIDERSTAND AUF/AB Taste um die Zeitvorgabe zu ändern, bestätigen Sie diese mit STOP/ENTER.

Die AGE (Lebensalteranzeige) zeigt die Werkseinstellung "35". Drücken Sie die WIDERSTAND AUF/AB Taste um das Benutzeralter zu ändern, bestätigen Sie dieses mit STOP/ENTER.

Die WEIGHT (Gewichtsanzeige) zeigt die Werkseinstellung "68(kg)/150(Lb)". Drücken Sie die WIDERSTAND AUF/AB Taste um das Benutzergewicht zu ändern, bestätigen Sie dieses mit STOP/ENTER

Drücken Sie die START Taste um das Zeitvorgabenprogramm zu starten. Die Zeit zählt abwärts bis 0, Strecke und Kalorien zählen aufwärts. Drücken Sie die WIDERSTAND AUF/AB Taste um den Widerstand zu ändern und drücken Sie ELLIPSEN AUF/AB Taste um die Ellipsenlänge zu ändern.

Streckenvorgabe (Target Distance) :

Drücken Sie die TARGET (Vorgaben) Programm Taste zweimal für das Streckenvorgabeprogramm, drücken Sie STOP/ENTER Taste um zum Einstellungsmodus zu gelangen.

DISTANCE (Streckenanzeige) zeigt die Werkseinstellung "5.00". Drücken Sie die WIDERSTAND AUF/AB Taste um die Streckenvorgabe zu ändern, bestätigen Sie diese mit STOP/ENTER.

AGE (Lebensalteranzeige) zeigt die Werkseinstellung "35". Drücken Sie die WIDERSTAND AUF/AB Taste um das Benutzeralter zu ändern, bestätigen Sie dieses mit STOP/ENTER.

COMPUTERBEDIENUNG

WEIGHT (Gewichtsanzeige) zeigt die Werkseinstellung "68(kg)/150(lb)". Drücken Sie die WIDERSTAND AUF/AB Taste um das Benutzergewicht zu ändern, bestätigen Sie dieses mit STOP/ENTER.

Drücken Sie START um das Streckenvorgabeprogramm zu starten. Die Strecke zählt abwärts bis 0, Zeit und Kalorien zählen aufwärts. Drücken Sie die WIDERSTAND AUF/AB Taste um den Widerstand zu ändern und drücken Sie die ELLIPSE AUF/AB Taste um die Ellipsenlänge zu ändern.

Kalorienvorgabe (Target Calorie):

Drücken Sie die TARGET (Vorgaben) Programm Taste dreimal für das Kalorienvorgabeprogramm, drücken Sie dann die STOP/ENTER Taste um zum Einstellungsmodus zu gelangen.

CALORIES (Kalorienanzeige) zeigt die Werkseinstellung "50". Drücken Sie die WIDERSTAND AUF/AB Taste um die Kalorienvorgabe zu ändern und bestätigen Sie diese mit STOP/ENTER.

AGE (Lebensalteranzeige) zeigt die Werkseinstellung "35". Drücken Sie die WIDERSTAND AUF/AB Taste um das Benutzeralter zu ändern, bestätigen Sie dieses mit STOP/ENTER.

WEIGHT (Gewichtsanzeige) zeigt die Werkseinstellung "68(kg)/150(Lb)". Drücken Sie die WIDERSTAND AUF/AB Taste um das Benutzergewicht zu ändern und bestätigen Sie dieses mit STOP/ENTER.

Drücken Sie die START Taste um das Kalorienvorgabeprogramm zu starten. Die Kalorien zählen abwärts bis 0, Zeit und Strecke zählen aufwärts. Drücken Sie die WIDERSTAND AUF/AB Taste um den Widerstand zu ändern und drücken Sie die ELLIPSE AUF/AB Taste um die Bewegung zu ändern.

Fettverbrennungspogramm (Fat Burning)

Wenn der Computer eingeschaltet ist, drücken Sie die FAT BURNING (Fettverbrennungsprogramm) Taste dann die STOP/ENTER Taste um mit der Einstellung fortzufahren.

TIME (Zeitanzeige) zeigt die Werkseinstellung "30:00". Drücken Sie die WIDERSTAND AUF/AB Taste um die Zeitvorgabe zu ändern und bestätigen Sie dieses mit STOP/ENTER.

AGE (Lebensalteranzeige) zeigt die Werkseinstellung "35". Drücken Sie die WIDERSTAND AUF/AB Taste um das Benutzeralter zu ändern und bestätigen Sie dieses mit STOP/ENTER.

WEIGHT (Gewichtsanzeige) zeigt die Werkseinstellung "68(kg)/150(Lb)". Drücken Sie die WIDERSTAND AUF/AB Taste um das Benutzergewicht zu ändern und bestätigen Sie mit STOP/ENTER.

Drücken Sie die START Taste um das Fettverbrennungsprogramm zu starten. Die Zeit zählt abwärts bis 0, Strecke und Kalorien zählen aufwärts. Die Dot Matrix Anzeige zeigt die voreingestellten WIDERSTAND und ELLIPSEN Profile. Drücken Sie die WIDERSTAND AUF/AB Taste um den Widerstand zu ändern und drücken Sie die ELLIPSE AUF/AB Taste um die Ellipsenlänge zu ändern.

INTERVALL PROGRAMM

Wenn der Computer eingeschaltet ist, drücken Sie die INTERVALL Programm Taste einmal um das INTENSITY (Widerstands) INTERVAL zu wählen. Drücken Sie die STOP/ENTER Taste um mit den Einstellungen fortzufahren.

oder

Drücken Sie die INTERVALL Programm Taste zweimal um das MOTION (Ellipsen) INTERVALL zu wählen. Drücken Sie die STOP/ENTER Taste um mit den Einstellungen fortzufahren.

Um zwischen den beiden INTERVALL Programmen zu wechseln drücken Sie die INTERVALL Programm Taste.

Widerstands Intervall Programm

Befindet sich der Computer in der Einstellungsphase des Widerstands Intervall Programms, zeigt die WIDERSTAND ANZEIGE "L1". Das ist der Widerstand der Intervalle. Drücken Sie die WIDERSTAND AUF/AB Taste um den Widerstand zu ändern, bestätigen Sie dieses mit STOP/ENTER .

TIME (Zeitanzeige) zeigt die Werkseinstellung "32:00". Drücken sie die WIDERSTAND AUF/AB Taste um die Zeitvorgabe zu ändern, bestätigen Sie diese mit STOP/ENTER

AGE (Lebensalteranzeige) zeigt die Werkseinstellung "35". Drücken sie die WIDERSTAND AUF/AB Taste um das Benutzeralter zu ändern, bestätigen Sie dieses mit STOP/ENTER

WEIGHT (Gewichtsanzeige) zeigt die Werkseinstellung "68(kg)/150(Lb)". Drücken sie die WIDERSTAND AUF/AB Taste um das Benutzergewicht zu ändern, bestätigen Sie dieses mit STOP/ENTER

COMPUTERBEDIENUNG

Drücken Sie die START Taste um das Widerstand Intervall Programm zu starten. Die Zeit zählt abwärts bis 0, Strecke und Kalorien zählen aufwärts. Die Dot Matrix Anzeige zeigt die Widerstands und Ellipsenprofile. Drücken Sie die WIDERSTAND AUF/AB Taste um den Widerstand zu ändern und drücken Sie die ELLIPSEN AUF/AB Taste um die Bewegung zu ändern.

Ellipsen Intervall Programm

Befindet sich der Computer in der Einstellungsphase des Ellipsen Intervall Programms, zeigt die ELLIPSEN LÄNGE ANZEIGE "L1". Das ist der Widerstandsgrad der Intervalle. Drücken Sie die WIDERSTAND AUF/AB Taste um den Widerstand zu ändern, bestätigen Sie dieses mit STOP/ENTER .

TIME (Zeitanzeige) zeigt die Werkseinstellung "32:00". Drücken sie die WIDERSTAND AUF/AB Taste um die Zeitvorgabe zu ändern, bestätigen Sie diese mit STOP/ENTER

AGE (Lebensalteranzeige) zeigt die Werkseinstellung "35". Drücken Sie die WIDERSTAND AUF/AB Taste um das Benutzeralter zu ändern und bestätigen Sie dieses mit STOP/ENTER

WEIGHT (Gewichtsanzeige) zeigt die Werkseinstellung "68(kg)/150(Lb). Drücken Sie die WIDERSTAND AUF/AB Taste um das Benutzergewicht zu ändern und bestätigen Sie dieses mit STOP/ENTER.

Drücken Sie die START Taste um das Ellipsen Intervall Programm zu starten. Die Zeit zählt abwärts bis 0, Strecke und Kalorien zählen aufwärts. Die Dot Matrix Anzeige zeigt die Widerstands und Bewegungsprofile. Drücken Sie die WIDERSTAND AUF/AB Taste um den Widerstand zu ändern und drücken Sie die ELLIPSEN AUF/AB Taste um die ELLIPSEN LÄNGE zu ändern.

AUSDAUER PROGRAMM (Endurance Program)

Wenn der Computer eingeschaltet ist drücken sie die ENDURANCE (Ausdauer) Programm Taste, dann die STOP/ENTER Taste um mit den Einstellungen fort zu fahren.

Workout Level (Trainingsgrad) Einstellung

TIME (Zeitanzeige) zeigt "L1", Drücken Sie die WIDERSTAND AUF/AB Taste um den Trainingsgrad zu ändern und bestätigen Sie dieses mit STOP/ENTER

TIME (Zeitanzeige) zeigt die Werkseinstellung "32:00". Drücken sie die WIDERSTAND AUF/AB Taste um die Zeitvorgabe zu ändern, bestätigen Sie dieses mit STOP/ENTER

AGE (Lebensalteranzeige) zeigt die Werkseinstellung "35". Drücken Sie die WIDERSTAND AUF/AB Taste um das Benutzeralter zu ändern und bestätigen Sie dieses mit STOP/ENTER

WEIGHT (Gewichtsanzeige) zeigt die Werkseinstellung "68(kg)/150(Lb). Drücken Sie die WIDERSTAND AUF/AB Taste um das Benutzergewicht zu ändern und bestätigen Sie dieses mit STOP/ENTER.

Drücken Sie die START Taste um das Ausdauer Programm zu starten. Die Zeit zählt abwärts bis 0, Strecke und Kalorien zählen aufwärts. Die Dot Matrix Anzeige zeigt die Widerstands und Bewegungsprofile. Drücken Sie die WIDERSTAND AUF/AB Taste um den Widerstand zu ändern und drücken Sie die ELLIPSE AUF/AB Taste um die Bewegung zu ändern.

LEISTUNGSKONTROLLE PROGRAMM (Watts Control Program)

Die Funktion des Leistungskontrolle Programms ist, dass der Benutzer die Leistung (WATT) mit der er trainieren möchte einstellen kann. Die Leistung wird automatisch mit höherem oder niedrigerem Widerstand reguliert, wenn der Benutzer den Schritt oder Rhythmus ändert (RPM). Der Widerstand wird niedriger, wenn der Benutzer die RPM erhöht, der Widerstand wird höher, wenn der Benutzer die RPM reduziert.

Wenn der Computer eingeschaltet ist drücken sie die WATTS CONTROL (Leistungskontrolle) Programm Taste, dann die STOP/ENTER Taste um mit den Einstellungen fort zu fahren.

WATTS (Wattanzeige) zeigt Werkseinstellung "110". Drücken Sie die WIDERSTAND AUF/AB Taste um Wattvorgabe zu ändern und bestätigen Sie diese mit STOP/ENTER.

TIME (Zeitanzeige) zeigt die Werkseinstellung "32:00". Drücken sie die WIDERSTAND AUF/AB Taste um die Zeitvorgabe zu ändern, bestätigen Sie diese mit STOP/ENTER

AGE (Lebensalteranzeige) zeigt die Werkseinstellung "35". Drücken Sie die WIDERSTAND AUF/AB Taste um das Benutzeralter zu ändern und bestätigen Sie dieses mit STOP/ENTER

COMPUTERBEDIENUNG

WEIGHT (Gewichtsanzeige) zeigt die Werkseinstellung "68(kg)/150(Lb)". Drücken Sie die WIDERSTAND AUF/AB Taste um das Benutzergewicht zu ändern und bestätigen Sie dieses mit STOP/ENTER.

Drücken Sie die START Taste um das Leistungskontrolle Programm zu starten. Die Zeit zählt abwärts bis 0, Strecke und Kalorien zählen aufwärts. Die Dot Matrix Anzeige zeigt die Widerstands und Bewegungsprofile. Drücken Sie die WIDERSTAND AUF/AB Taste um den Widerstand zu ändern und drücken Sie die ELLIPSEN AUF/AB Taste um die Bewegung zu ändern.

ZIELPULSPROGRAMM (Target Heart Rate Control Program) :

Das Zielpulsprogramm wurde entwickelt, damit der Benutzer mit einer ausgewählten Pulsfrequenz trainieren kann. Für dieses Programm muss ein Pulsmessgerät verwendet werden. Dieses Gerätes hat einen Standard Handpulsensor am beweglichen Handgriff, um den Puls des Benutzers während des Trainings zu messen. Der Benutzer muss seine Hände während des ganzen Trainings auf den Sensoren belassen um den Puls korrekt zu messen. Es wird empfohlen für dieses Programm einen Brustgurt zu tragen.

Wichtig: Die Software des Computers kalkuliert den Maximalpuls des Benutzer basierend auf der Formel: 220 Schläge pro Minute – Lebensalter. Der Benutzer sollte vor Trainingsbeginn einen Arzt oder Trainingsberater aufsuchen um seinen Maximalpuls genauer zu bestimmen.

Wenn der Computer eingeschaltet ist, drücken Sie die HEART RATE CONTROL (Zielpuls) Programm Taste. Die 8x16 Dot Matrix Anzeige zeigt "HEART RATE CONTROL" Drücken Sie STOP/ENTER um mit den Einstellungen fort zu fahren.

TIME (Zeitanzeige) zeigt die Werkseinstellung "32:00". Drücken Sie die WIDERSTAND AUF/AB Taste um die Zeitvorgabe zu ändern, bestätigen Sie diese mit STOP/ENTER.

AGE (Lebensalteranzeige) zeigt die Werkseinstellung "35". Drücken Sie die WIDERSTAND AUF/AB Taste um das Benutzeralter zu ändern und bestätigen Sie dieses mit STOP/ENTER.

PULSE (Pulsanzeige) zeigt den errechneten Zielpuls basierend auf der Lebensaltereinstellung des vorherigen Schrittes. Der ZIELPULS = 85% MAXIMALPULS. Drücken Sie die WIDERSTAND AUF/AB Taste um den Zielpuls zu ändern und bestätigen Sie dieses mit STOP/ENTER.

WEIGHT (Gewichtsanzeige) zeigt die Werkseinstellung "68(kg)/150(Lb)". Drücken Sie die WIDERSTAND AUF/AB Taste um das Benutzergewicht zu ändern und bestätigen Sie dieses mit STOP/ENTER.

Drücken Sie die START Taste um das 3 Minuten Aufwärmprogramm zu beginnen. Die Funktion des Aufwärmprogramms ist es dem Puls des Benutzers auf 65% vom Maximalpuls zu bringen. Die Zeit zählt abwärts von "3.00" auf "0:00". Widerstandsgrad Anzeige zeigt "WARM UP" dreimal. Wenn der Puls während des Aufwärmens nicht die 65% vom Maximalpuls erreicht wird der Widerstandsgrad alle 15 Sekunden um 1 Grad erhöht. Sollte der Puls die 65% vom Maximalpuls zweimal während des Aufwärmprogramms erreichen, beginnt das ZIELPULS Programm.

Erreicht der Puls des Benutzers nicht die 65% vom Maximalpuls während des Aufwärmprogramms, beginnt ein zweites oder drittes 3 Minuten Aufwärmprogramm (falls nötig). Sollte nach dem dritten Aufwärmprogramm die 65 % vom Maximalpuls nicht erreicht worden sein, zeigt die WIDERSTANDSPROFIL dot Matrix "FAIL"; nach 10 Sekunden kehrt der Computer zum Standardbildschirm zurück.

Wenn der Benutzer im Zielpulsprogramm ist, ändert der Computer automatisch den Widerstands um im Zielpulsbereich des Benutzers zu bleiben. Bleibt der Benutzer längere Zeit unter dem Zielpuls, wird der Widerstand um einen Grad erhöht. Wenn der Benutzer den Zielpuls erreicht oder überschreitet, wird der Widerstand um einen Grad reduziert. Das Programm geht weiter bis die Zeit abgelaufen ist. Sollte der Zielpuls für 3 Minuten überschritten werden oder die Zeit "0:00" erreichen, wird das Zielpulsprogramm beendet und ein einminütiges Abkühlprogramm beginnt. Die Zeit zählt abwärts von "1:00" und der Widerstands und Bewegungsgrad sind auf 1.

Garantie

Lesen und befolgen Sie unbedingt die Aufbau- und Betriebsanleitung bevor Sie das Gerät in Gebrauch nehmen.

Garantieumfang: Smooth Fitness garantiert dem ursprünglichen Käufer, dass jedes neue Produkt frei von Verarbeitungs- und Materialfehlern ist.

Dauer der Garantie: Die Dauer der Garantie auf dieses Produkt für den Einsatz im Heimbereich gilt ab Datum des Kaufes und gliedert sich auf wie folgt:

| Modell | Rahmen | Elektronische Komponenten | Sonstige Anbauteile | Instandsetzungs-Kosten |
|-----------|----------|---------------------------|---------------------|------------------------|
| AGILE DMT | 30 Jahre | 2 Jahre | 2 Jahre | 2 Jahre |

- Smooth Fitness übernimmt für eine Garantiezeit von 2 Jahren die Kosten für den Versand von Ersatzteilen.
- Smooth Fitness behält sich das Recht vor, beschädigte Teile auf unsachgemäßen Gebrauch zu untersuchen.
- Die Garantiedauer für den Einsatz im semi-professionellen Bereich (max. 3 Stunden Gebrauch pro Tag) beläuft sich auf EIN (1) Jahr.

Zum Nachweis der Garantiezeit ist eine Kopie des Kaufbelegs notwendig. Es wird empfohlen, den original Kaufbeleg gemeinsam mit dieser Anleitung aufzubewahren.

Selbstverständlich stehen wir Ihnen auch nach Ablauf der Garantiezeit jederzeit unter der unten aufgeführten Telefonnummer zu Verfügung, um mit Rat und Tat zur Seite zu stehen.

Jegliche Maßnahmen, sei es die Reparatur oder der Austausch der betroffenen Teile bzw. des Produkts, liegen im alleinigen Ermessen von Smooth Fitness und deren anerkannten Service Partnern. Sollten Reparaturen notwendig sein, liegt es im Ermessen von Smooth Fitness, ob die Reparatur vor Ort, oder, nach Rücksendung im Service Center vorgenommen wird.

Reparierte bzw. ausgetauschte Teile gliedern sich in die verbleibende Garantielaufzeit des Originalprodukts ein. Jegliche technische Beratung zur Benutzung des Produkts, die der Kunde vor oder nach der Lieferung erhält, erfolgt kostenfrei und nach bestem Wissen und Gewissen von Smooth Fitness. Die Befolgung der erfolgten Beratung geschieht jedoch auf eigenes Risiko.

Einlösen der Garantieleistungen: Im Garantiefall, kontaktieren Sie bitte das Smooth Fitness Service Center unter Tel. + 49 (911) 8105924. Um den Vorgang zu erleichtern halten Sie bitte die folgenden Informationen bereit:

- Name oder Nummer Ihres Modells (auf dem Deckblatt Ihrer Anleitung);
- die Seriennummer (auf dem Rahmen Ihres Geräts); und
- die Beschreibung des Ersatzteils sowie dessen Bestellnummer.

Garantieeinschränkungen: Diese Garantie deckt keine Schäden und Probleme, die durch Unfall, unsachgerechten Aufbau, übersehene Warnhinweise, unsachgemäße Anwendung, Missbrauch, oder Transportschäden entstehen. Smooth Fitness gibt keine Garantie für Schäden, die durch Reparaturen oder Manipulationen am Gerät entstehen, die durch nicht-autorisierte Reparaturwerkstätten vorgenommen wurden.

Unsachgemäße Lagerung des Geräts außerhalb des Wohnbereichs, z.B. in der Garage, kann die Garantieansprüche einschränken.

Diese Garantie gilt nicht für Produkte, die an Ziele außerhalb von Deutschland, Österreich und England verschifft oder verschickt wurden. Die Garantie ist ebenfalls nicht gültig wenn das Produkt im kommerziellen Bereich oder Verleih eingesetzt wird. Folgeschäden werden durch diese Garantie nicht abgedeckt.

ES GELTEN DIE GESETZLICHEN BESTIMMUNGEN DES JEWEILIGEN VERKAUFLANDES. DIESE GARANTIE ERSETZT AUSDRÜCKLICH JEGLICHE SONSTIGE GARANTIEVEREINBARUNG. DIE GARANTIEZEIT BEGINNT MIT DEM KAUF DES PRODUKTS. SMOOTH FITNESS HAFTET NICHT FÜR FOLGESCHÄDEN DURCH BESCHÄDIGTE TEILE. DIE HAFTUNG VON SMOOTH FITNESS BESCHRÄNKT SICH AUSSCHLIESSLICH AUF DIE OBEN GENANNTE LEISTUNGEN SOWEIT NICHT VOM GESETZGEBER ANDERS GEREGLT.

Für Hilfe beim Aufbau, oder um Ersatzteile zu bestellen, kontaktieren Sie bitte das Smooth Fitness Service Center unter Tel. + 49 (911) 8105924. Um den Vorgang zu erleichtern halten Sie bitte die folgenden Informationen bereit:

- Name oder Nummer Ihres Modells (auf dem Deckblatt Ihrer Anleitung);
- die Seriennummer (auf dem Rahmen Ihres Geräts); und
- die Beschreibung des Ersatzteils sowie dessen Bestellnummer.



Smooth Fitness LLC
PO BOX 436
Farnborough
GU14 4BS
United Kingdom

Phone: 0800-09 72 100
mail: info@smoothfitness.co.uk

Website:
www.smoothfitness.co.uk

Smooth Fitness LLC
Sandrartstrasse 28
90419 Nürnberg
Germany

Tel. + 49 (911) 810 59 24
Fax. + 49 (911) 36 68 05 93
mail: info@smoothfitness.de

Website:
www.smoothfitness.de